

Electrical and Acoustical Parameter

Rated Voltage (VDC) *	12.0
Operating Voltage (VDC)	9.0 – 15.0
Rated current (mA) *	max. 35
Sound Pressure Level (dBA/10cm) *	min. 85.0
Resonant Frequency (Hz)	400+/-100
Remark:	*Value applying rated voltage (DC)

Mechanical, Enviromental Parameter

Contact / Wire	SMD
Operating temperature (°C)	-20 to +60
Storage temperature (°C)	-30 to +70
Material housing	ABS
Color housing	Black
Component weight (g)	8.4
Remark:	

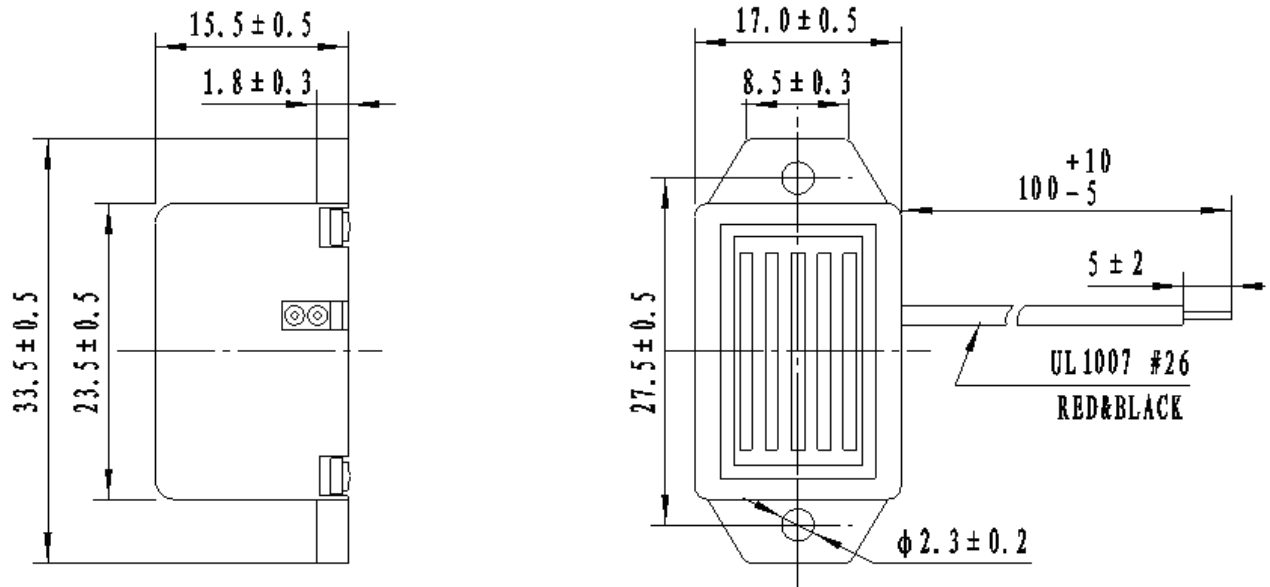
Approval

RoHs	<input checked="" type="checkbox"/>
UL	<input type="checkbox"/>

Designed by	MZ	17.09.2013	Dimensions without tolerance ±0.5mm	Index: 00	Current date
Released by	CB	17.09.2013	Drawing number	130917.1BDB	17.09.2013
Changed by					Page 1 of 2

Drawing of Component

Unit:mm



Revision Table

Index Nr.	Date Reason - Procedure Change description	Drawing Date	implementation	Comments
			LS-Nr.: Date	

Designed by	MZ	17.09.2013	Dimensions without tolerance $\pm 0.5\text{mm}$	Index: oo	Current date
Released by	CB	17.09.2013	Drawing number	130917.1BDB	17.09.2013
Changed by					Page 2 of 2