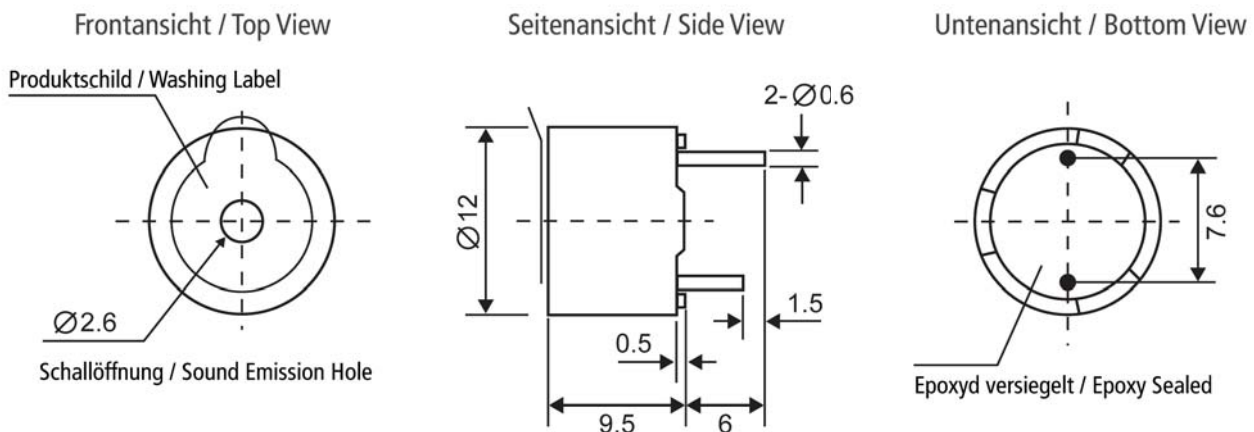


# Magnetic Buzzer



## Abmessungen / Dimensions



Abmessungen in mm / all dimensions are in mm

### Technische Daten

Model Nr.		NMB-1205A
Betriebsspannung	[V <sub>oc</sub> ]	4 ~ 7
Nennspannung	[V <sub>oc</sub> ]	5
* Max. Stromstärke	[mA]	30
* Min. Lautstärke	[dBA / 10cm]	85
* Frequenz	[Hz]	2300 +/- 300
Tonart		Single
Betriebstemperatur	[°C]	-20 ~ +70
Terminal		Pin
Material		Noryl
Farbe		Schwarz
Gewicht	[g]	2

\* bei Nennspannung

### Electrical Specifications

Model No.		NMB-1205A
Operating Voltage	[V <sub>oc</sub> ]	4 ~ 7
Rated Voltage	[V <sub>oc</sub> ]	5
* Max. Rated Current	[mA]	30
* Min. Sound Output	[dBA / 10cm]	85
* Frequency	[Hz]	2300 +/- 300
Tone Nature		Single
Operating Temperature	[°C]	-20 ~ +70
Terminal		Pin
Housing Material		Noryl
Colour		Black
Weight	[g]	2

\*Value applying at rated voltage