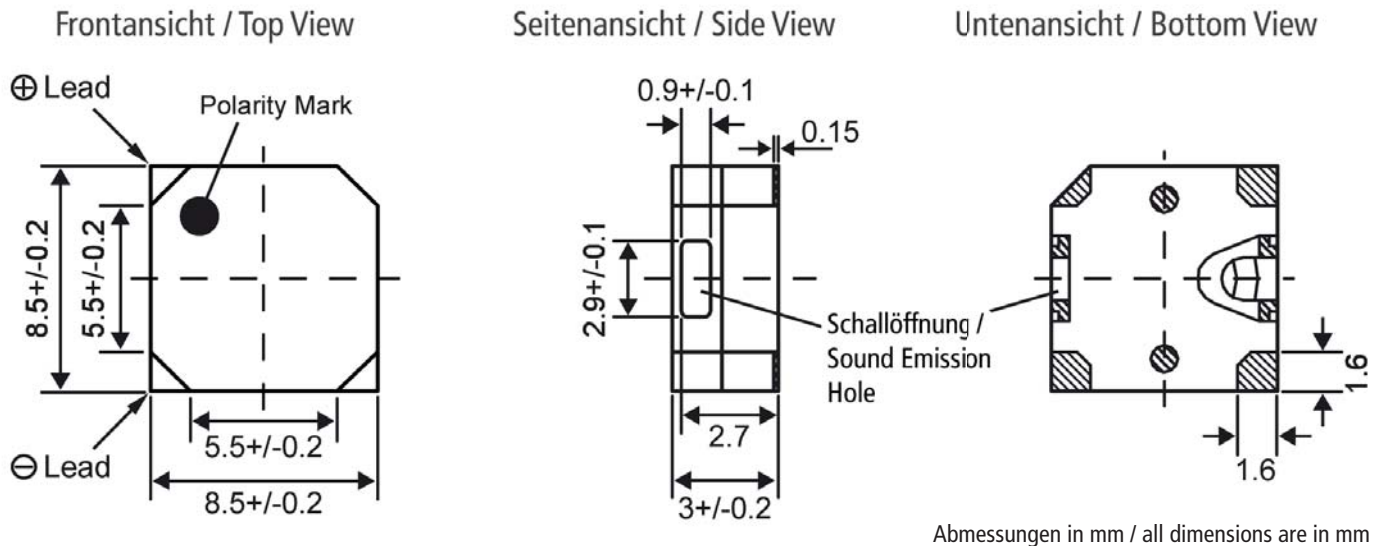


Magnetic Transducer

Abmessungen / Dimensions



Technische Daten

Model Nr.		NMT-0905AS
Betriebsspannung	[V]	4 ~ 6
Nennspannung	[V]	5
* Max. Stromstärke	[mA]	80
Spulenwiderstand	[ohm]	32 +/- 3
* Min. Lautstärke	[dBA / 10cm]	85 (typ. 90)
Resonanzfrequenz	[Hz]	2730
Betriebstemperatur	[°C]	-30 ~ +70
Lagertemperatur	[°C]	-40 ~ +85
Terminal		SMD
Material		LCP
Farbe		Schwarz
Gewicht	[g]	0.5

* bei Nennspannung [Resonanzfrequenz, 1/2 duty, Rechteckspannung] und empfohlener Beschaltung [HFE >200, min. 2.5 mA]

Electrical Specifications

Model No.		NMT-0905AS
Operating Voltage	[V]	4 ~ 6
Rated Voltage	[V]	5
* Max. Rated Current	[mA]	80
Coil Resistance	[ohm]	32 +/- 3
* Min.Sound Output	[dBA / 10 cm]	85 (typ. 90)
Resonant Frequency	[Hz]	2730
Operating Temperature	[°C]	-30 ~ +70
Storage Temperature	[°C]	-40 ~ +85
Terminal		SMD
Housing Material		LCP
Colour		Black
Weight	[g]	0.5

* Value applying rated voltage [resonant frequency, 1/2 duty, square wave] and recommended circuit [HFE >200, min. 2.5 mA]