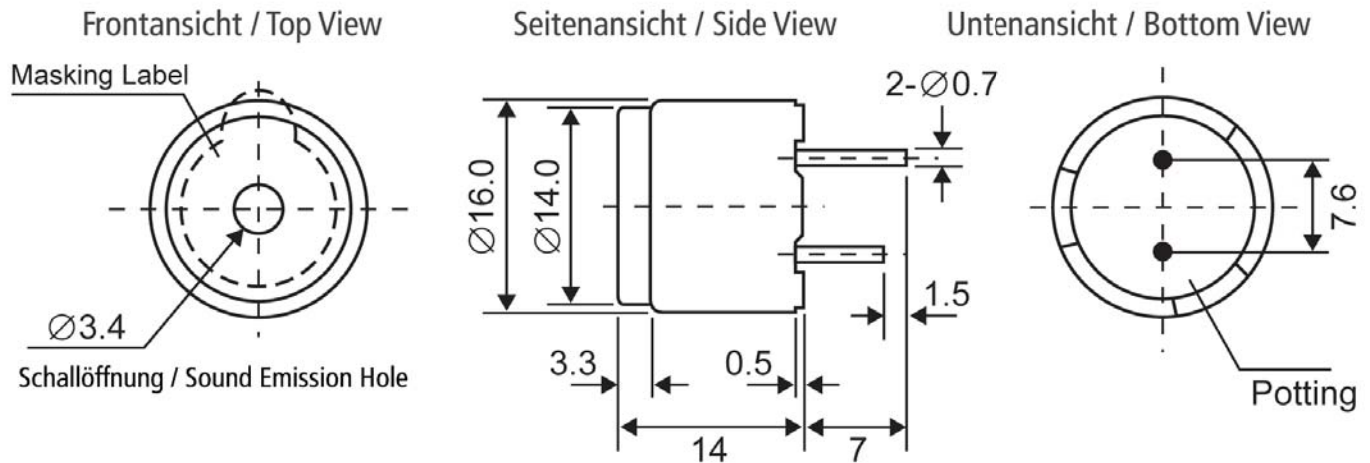


NMT-1606

# Magnetic Transducer

## Abmessungen / Dimensions



Abmessungen in mm / all dimensions are in mm

## Technische Daten

Model Nr.		NMT-1606
Betriebsspannung	[V]	4 ~ 8
Nennspannung	[V]	6
* Max. Stromstärke	[mA]	40
Spulenwiderstand	[ohm]	50 +/- 5
# Spulenimpedanz	[ohm]	110
* Min. Lautstärke	[dBA / 10cm]	85
Resonanzfrequenz	[Hz]	2048
Betriebstemperatur	[°C]	-25 ~ +70
Terminal		Pin
Material		Noryl
Farbe		Schwarz
Gewicht	[g]	7

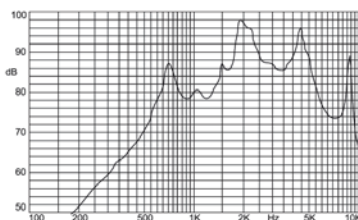
# bei [Resonanzfrequenz, Sinusspannung, Messstrom 60uA]  
 \* bei Nennspannung [Resonanzfrequenz, 1/2 duty, Rechteckspannung]  
 und empfohlener Beschaltung [HFE >200, min. 2.5 mA]

## Electrical Specifications

Model No.		NMT-1606
Operating Voltage	[V]	4 ~ 8
Rated Voltage	[V]	6
* Max. Rated Current	[mA]	40
Coil Resistance	[ohm]	50 +/- 5
# Coil Impedance	[ohm]	110
* Min.Sound Output	[dBA / 10 cm]	85
Resonant Frequency	[Hz]	2048
Operating Temperature	[°C]	-25 ~ +70
Terminal		Pin
Housing Material		Noryl
Colour		Black
Weight	[g]	7

# Value applying [resonant frequency, sine wave, measuring current 60uA]  
 \* Value applying rated voltage [resonant frequency, 1/2 duty, square wave]  
 and recommended circuit [HFE >200, min. 2.5 mA]

Frequenzkurve, Magn dB re 20.000ppa



Frequency Response, Magn dB re 20.000ppa

