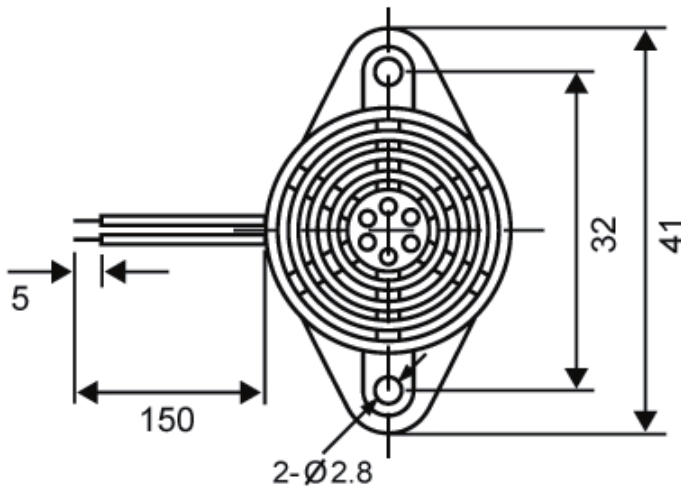


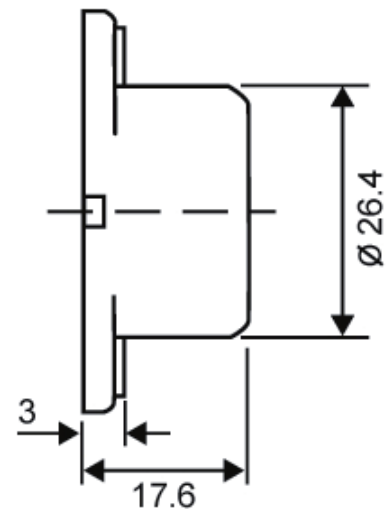
Mechanical Buzzer

Abmessungen / Dimensions

Draufsicht / Top view



Seitenansicht / Side View



Abmessungen in mm / all dimensions are in mm

Technische Daten

Model Nr.		NNB-2706W
Betriebsspannung	[VDC]	4 ~ 8
Nennspannung	[VDC]	6
*Max. Stromstärke	[mA]	33
Spulenwiderstand	[ohm]	400 +/- 100
*Min. Lautstärke	[dBA / 10cm]	95
Tonart		Single
Betriebstemperatur	[°C]	-20 ~ +70
Terminal		Wire
Material		ABS
Farbe		Weiß
Gewicht	[g]	17

*bei Nennspannung

Electrical Specifications

Model No.		NNB-2706W
Operating Voltage	[VDC]	4 ~ 8
Rated Voltage	[VDC]	6
*Max. Rated Current	[mA]	33
Coil Resistance	[ohm]	400 +/- 100
*Min. Sound Output	[dBA / 10cm]	95
Tone Nature		Single
Operating Temperature	[°C]	-20 ~ +70
Terminal		Wire
Housing Material		ABS
Housing Color		White
Weight	[g]	17

*Value applying at rated voltage