

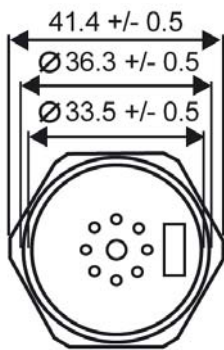
NPB-3612ES

Piezo Buzzer

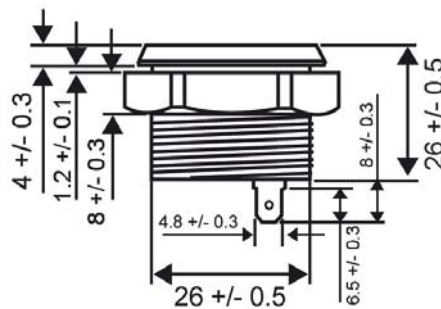
Abmessungen / Dimensions



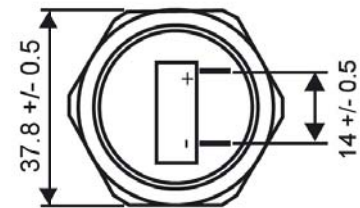
Frontansicht / Top View



Seitenansicht / Side View



Untenansicht / Bottom View



Abmessungen in mm / all dimensions are in mm

Technische Daten

Model Nr.		NPB-3612ES
Betriebsspannung	[V _{DC}]	5 ~ 28
Nennspannung	[V _{DC}]	12
* Max. Stromstärke	[mA]	18
* Min. Lautstärke	[dBA / 10cm]	85 +/- 3 dB
Frequenz	[Hz]	3000 +/- 500
Tonart		Single
Betriebstemperatur	[°C]	-20 ~ +60
Terminal		Plug
Material		ABS
Farbe		Schwarz
Gewicht	[g]	35

* bei Nennspannung

Electrical Specifications

Model No.		NPB-3612ES
Operating Voltage	[V _{DC}]	5 ~ 28
Rated Voltage	[V _{DC}]	12
* Max. Rated Current	[mA]	18
* Min.Sound Output	[dBA / 10 cm]	85 +/-3 dB
* Frequency	[Hz]	3000 +/- 500
Tone Nature		Single
Operating Temperature	[°C]	-20 ~ +60
Terminal		Plug
Housing Material		ABS
Colour		Black
Weight	[g]	35

*Value applying at rated voltage