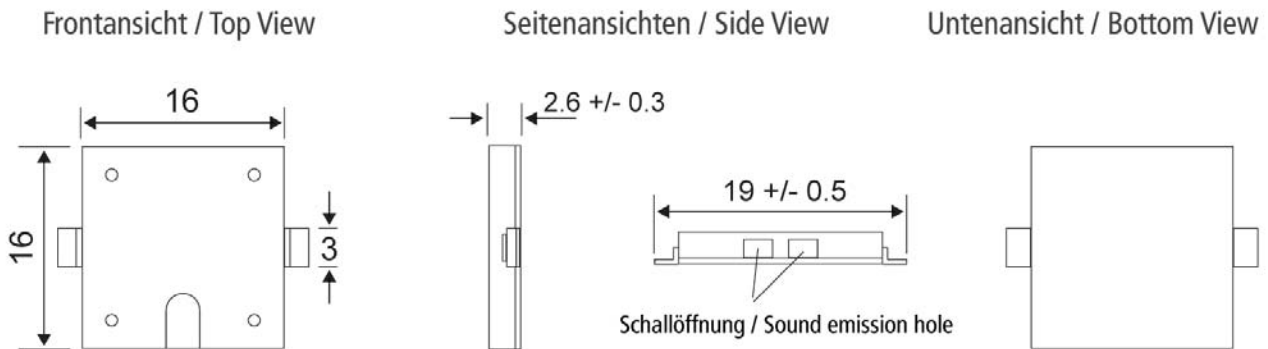


NPT-1603S-HT

External Drive Piezo Transducer

Abmessungen / Dimensions



Ref. no.: CT2226
Special Description : operating temp. -40oC ~ +120oC

Abmessungen in mm / all dimensions are in mm

Technische Daten

| | |
|-----------------------|--|
| Model Nr. | NPT-1603S-HT |
| Schalldruckpegel | 75dBA min. [3V p-p Rechteckschwingung, 10cm, 4000Hz] |
| Kapazität | 14000 pF +/- 30% bei 1KHz |
| Max. Eingangsspannung | 24V p-p |
| Max. Stromstärke | 1mA |
| Betriebstemperatur | [°C] -40 ~ +120 |
| Terminal | SMD |
| Material | PPS |
| Farbe | Schwarz |
| Gewicht | [g] 1.2 |

Electrical Specifications

| | |
|-----------------------|---|
| Model No. | NPT-1603S-HT |
| Sound Pressure Level | 75dBA min. [3V p-p Square Wave, 10cm, 4000Hz] |
| Capacitance | 14000 pF +/- 30% at 1KHz |
| Max. Input Voltage | 25V p-p |
| Max. Current | 1mA |
| Operating Temperature | [°C] -40 ~ +120 |
| Terminal | SMD |
| Housing Material | PPS |
| Housing Colour | Black |
| Weight | [g] 1.2 |