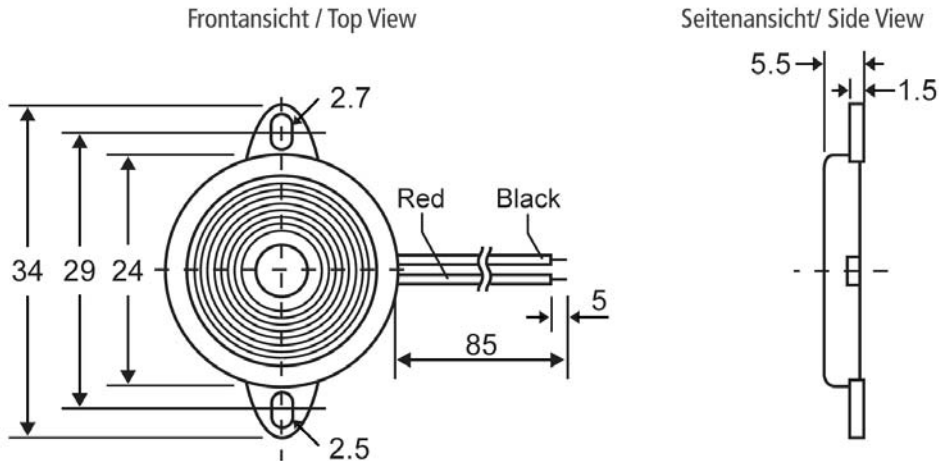


External Drive Piezo Transducer

Abmessungen / Dimensions



Abmessungen in mm / all dimensions are in mm

Technische Daten

Model Nr.	NPT-2403W
Schalldruckpegel	85dBA min. [3Vrms Sinus-schwingung, 10cm, 3500Hz]
Kapazität	28000 pF +/- 30% bei 120Hz
Max. Eingangsspannung	30V p-p
Betriebstemperatur	[°C] -20 ~ +70
Terminal	Draht
Material	ABS
Farbe	Schwarz
Gewicht	[g] 5

Electrical Specifications

Model No.	NPT-2403W
Sound Pressure Level	85dBA min. [3Vrms Sine Wave, 10cm, 3500Hz]
Capacitance	28000 pF +/- 30% at 120Hz
Max. Input Voltage	30V p-p
Operating Temperature	[°C] -20 ~ +70
Terminal	wire
Housing Material	ABS
Housing Colour	Black
Weight	[g] 5