

# LED Power Supply

Super slim LED drivers,SELV.Open circuit, short circuit, overload and over temperature protection.Compliance to ERP directive,lifetime 30,000hrs.



items	conditions	request	note
<b>Input</b>			
Input voltage	Ta	180-264Vac	--
Input Frequency		50/60Hz	--
Input Current	25°C, rated input voltage, output with max. rated power	<0.1A	--
Input Power		<8.5W	--
Efficiency		≥75%	--
Standby	25°C rated input voltage, output without load	<0.5W	Average
Inrush Current	25°C, rated input voltage	<60A	peak
PF	25°C, rated input voltage, output max. rated power	≥0.50	--

## Output

Startup time	25°C, rated input voltage, output with max. rated power	<2S	--
Output voltage and precision	Ta, rated input voltage, output with rated power	24V±10%	<13V
Output current range	Ta, rated input voltage	0-0.25A	--
Output voltage wave	25°C, rated input voltage, output with max. rated power	480mV	Vp-p
Output overload	25°C, rated input voltage, output with 2 times LED load	yes	--
Output current and precision	Ta, rated input voltage, output with rated power	--	--
Rated output voltage range	Ta, rated input voltage,	-	--
Output current wave	25°C, rated input voltage, output with max. rated power	--	lp-p
Dimming mode	--	--	--
Dimming range	--	--	--

## Protection

open circuit	Ta, input rated voltage, output without load	--	--
overload	Ta, 0.94-1.06 times of input voltage, 1.2 times of rated power	yes	--
Short circuit	Ta, input 0.94-1.06 times input voltage,	yes	--
Over temperature	IC detect temperature	--	--
Over voltage	Ta, 0.94-1.06 times of input voltage, output voltage is 1.5 times of rated one	--	--
Auto recovery	Over load, short circuit revocation	yes	--
Latch off	Over voltage, over heat re-start after cut off	--	--

## SNP6-24VF

### Temperature and others

Operating temperature	--	-20° C ~ 45° C	--
Relative humidity	--	45%~ 85%	--
max. Case temp.	--	80° C	<90° C
products life span	under max Ta,input rated voltage and output max rated load	30,000hr	--
working noise	25°C, rated input voltage,output with rated power, mute box background noise<35dB, pickup 10cm distance from products	<35dB	--

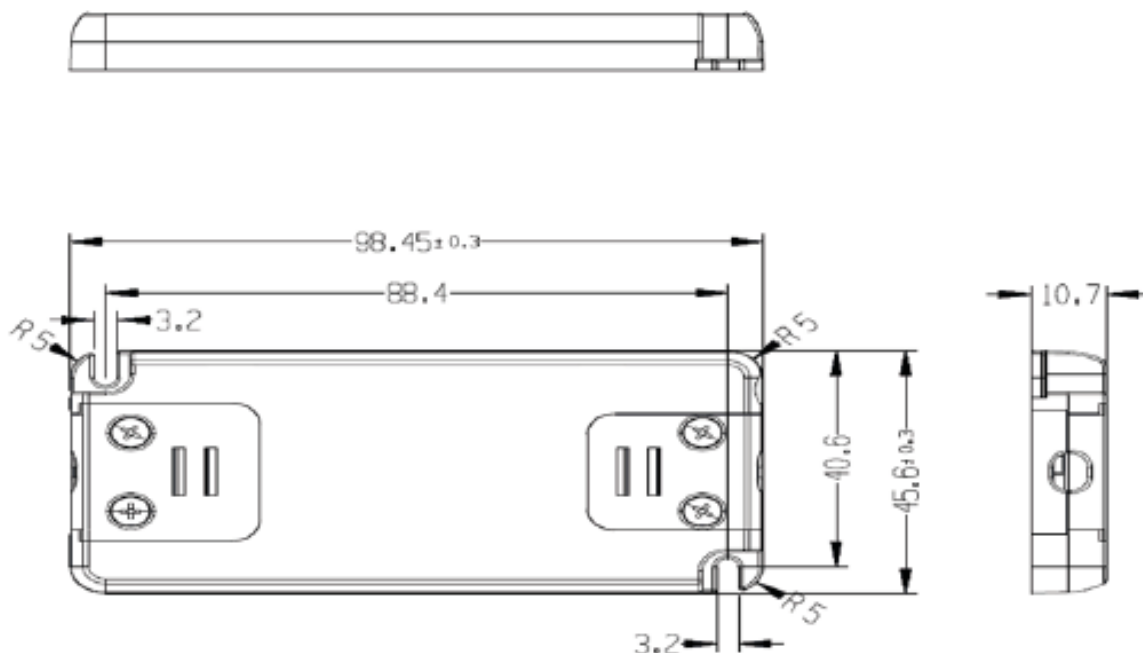
### Mechanical, mounting

Case material and size	PlasticL98.5*W45.6*H10.7mm
Mounting ways	independent
Insulation type	Class II
IP grade	IP20
Input cables dimension	H03VVH2-F 2x0.75mm <sup>2</sup>
Output cables dimension	H03VVH2-F 2x0.75mm <sup>2</sup>
Output cables length	Max. 2 meters

### Standard request

Safety	IEC61347-1,IEC61347-2-13
Harmonic	IEC61000-3-2
EMI	IEC55015
EMS	IEC61547

### Dimensions



**Wiring Diagram**

