

NFC Programmable LED Driver

96W | 100-277Vac Input

- Supply Voltage: 90-305Vac or 127-420Vdc, 380Vac for 2 hours
- Great Surge Immunity 10kV
- -55 Cold Ambient Startup (Optional)
- 100,000Hour Life @ Tc=75
- Airset™ NFC Programmability
- +/-2% Output Current Accuracy (Programmable Model)
- 0-10V/PWM/Time/DALI /DMX(Optional) Dimmable
- Dim Off with 0.5W Standby Power (Optional)
- 12V 300mA Auxiliary Power to Power Controllers and Fans (Optional)
- Input Over Voltage Protection (Optional)
- UL Class P, Class 2
- ENEC/CB/CCC SELV Output, safety according to EN 61347-1, 61347-2-3, 61347-2-13, 62384



Application

- Bay lights, Street lights, Tunnel lights, Flood lights

Model List

Model Number	Input Voltage Range	Output Power	Output voltage	Full Power Settable Current Min.	Full Power Settable Current Max.	Certification
BLD-096-C050-XYZ	90 ~ 305 Vac	96W	115-274Vdc	350mA	500mA	UL/FCC/CB/ENEC/CCC
BLD-096-C070-XYZ	90 ~ 305 Vac	96W	82-192Vdc	500mA	700mA	UL/FCC/CB/ENEC/CCC
BLD-096-C105-XYZ	90 ~ 305 Vac	96W	55-137Vdc	700mA	1050mA	UL/FCC/CB/ENEC/CCC
BLD-096-C140-XYZ	90 ~ 305 Vac	96W	41-91Vdc	1050mA	1400mA	UL/FCC/CB/ENEC/CCC
BLD-096-C210-XYZ	90 ~ 305 Vac	96W	27-64Vdc	1400mA	2100mA	UL/FCC/CB/ENEC/CCC
BLD-096-C280-XYZ	90 ~ 305 Vac	96W	21-46Vdc	2100mA	2800mA	UL/FCC/CB/ENEC/CCC
BLD-096-C420-XYZ	90 ~ 305 Vac	96W	14-33Vdc	2900mA	4200mA	UL/FCC/CB/ENEC/CCC

XY	Dimming Method	Programmable	12Vaux	Dim-off
NN	-	-	-	-
DN	0-10V	-	-	-
TR	Time	✓	-	-
DR	0-10V/PWM/Time	✓	-	-
ER	0-10V/PWM/Time	✓	✓	✓
AN	DALI	-	-	✓
MR	DMX	✓	-	✓

Z = U, UL cable with ground wire

S, VDE cable/Class I

D, VDE cable/Class II

BLD-096-C Series

Technical Data

Input Voltage	90~305Vac or 127V-420Vdc, 380Vac for 2 hours
Input Frequency	47~63Hz
Power Factor	>0.9@60-100%load, refer to PF vs. Load curve
THD	<15%@60 100%load, refer to THD vs. Load curve
Input Current	0.95Amax@120Vac & Full Load, 0.48Amax@220Vac & Full Load
Inrush Current	65A peak, 1.2ms duration, <0.25A2s@230Vac, Cold Start 70A peak, 1.3ms duration, <0.5A2s@277Vac, Cold Start
Leakage Current	1mA max @277Vac 60Hz, UL8750,0.75mAmax @220Vac 50Hz, IEC61347 1
Input Under Voltage	Shut down and auto restart
Input Over Voltage	*Optional: Shutdown @320Vac
Surge Protection	Line to line 6kV, line to ground 10kV, IEC 61000-4-5
Current Accuracy	±5%lo
Ripple Current	lp-p:5%lo max
Setup Time	1.2s max
Overshoot	10% lo max & LED Load
Output Over Voltage	120% Vomax, typ.
Short Circuit	Auto recovery. The output recovers when short is removed.
Over Temperature	Lower the output current when $T_c \geq 110 \pm 5$; Auto Recovery When $T_c \leq 70 \pm 5$
Auxiliary Power (Vaux)	12V+/-5%, 300mA max
Operating Temperature	-40°C – +70°C, 10%RH ~100%RH (See Derating Curve for more details)
Storage Temperature	-40°C – +85°C 5%RH~100%RH
MTBF	≥320,000 hours, 75°C case temperature (MIL-HDBK-217F)
Lifetime	≥100,000 hours, 50 case temperature, refer to life vs. Tc curve
Case Temperature	90°C max, marked in the Tc point of label
Dimensions	6.34x2.66x1.32 by inch (body), 7.40x2.66x1.32 by inch (endcaps included) 161.0x67.5x33.5 by mm (body), 188.0x67.5x33.5 by mm (endcaps included)
Net Weight	800g
Packing	25pcs, 21kg per carton, carton size: 490x370x230mm

Notes: Unless specified, all the test results are measured in 25°C room temperature.
* marked items are optional and contact with sales people to get the functions.

BLD-096-C Series

Safety/EMC Compliance

Safety Standard	Description
UL8750	Light emitting diode(LED) equipment for use in lighting products
UL1012	Power units other than class 2
IEC 61347-1	Lamp control gear Part 1: general and safety requirements
IEC 61347-2-13	Lamp control gear Part 2-13: particular requirement for d.c. or a.c. supplied electronic control gear for LED modules
EMI Standards	Description
IEC 55015	Conducted emission test & radiated emission test
IEC 61000-3-2	Harmonic current emissions; Class C
IEC 61000-3-3	Voltage fluctuations & flicker
FCC Part 15	ANSI C63.4:2009 Class B
EMS Standards	Description
IEC 61000-4-2	Electrostatic discharge (ESD): 8 kV air discharge, 4 kV contact discharge
IEC 61000-4-3	Radio frequency electromagnetic field susceptibility test (RS)
IEC 61000-4-4	Electrical fast transient (EFT)
IEC 61000-4-5	Surge immunity test
IEC 61000-4-6	Conducted radio frequency disturbances test (CS)
IEC 61000-4-8	Power frequency magnetic field test
IEC 61000-4-11	Voltage dips
IEC 61547	Electromagnetic immunity requirements applies to lighting equipment

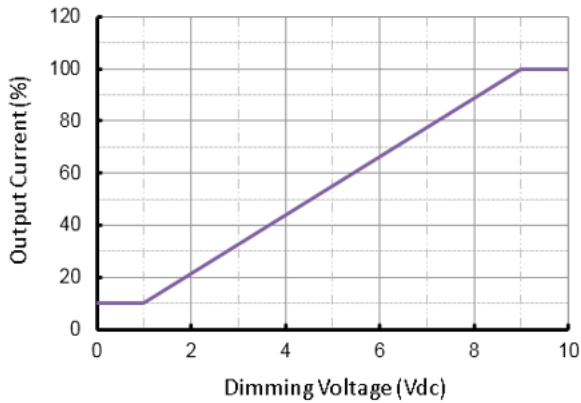
Dimming

Parameter	Min.	Typ.	Max.
Vdim Sourcing Current	200uA	300uA	450uA
Vdim Allowed Input Voltage	-20 V		20 V
0-10V Dimming Range	10% (Vdim=1V)	Linear	100% (Vdim=9~10V)
PWM Dimming Range	10% (Duty=10%)	Linear	100% (Duty=90-100%)
Dim off threshold	0.4V or 4%	0.5V or 5%	0.6V or 6%
Dim on threshold	0.6V or 6%	0.7V or 7%	0.8V or 8%
PWM High	3V		10V
PWM Low	0V		0.6V
PWM Frequency	300Hz		2kHz
External PWM Controller Current Sinking Capability	300uA		
DALI Interface Standard	IEC62386		
DA1,DA2 High Level	9.5	16	22.5
DA1,DA2 Low Level	-6.5	0	6.5
DA1,DA2 Current	0		2mA

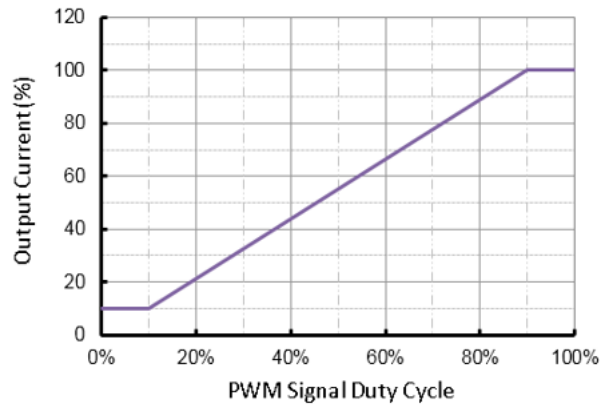
Dimming Curve

a. Without dim-off

0-10V Dimming Curve

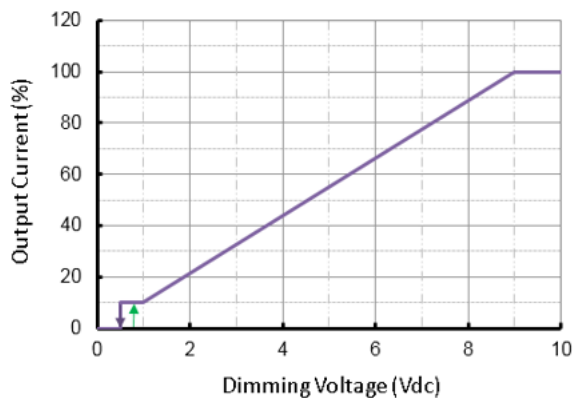


PWM Dimming Curve

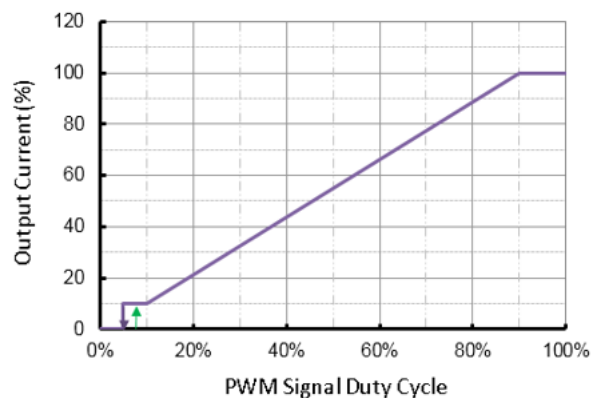


b. With dim-off

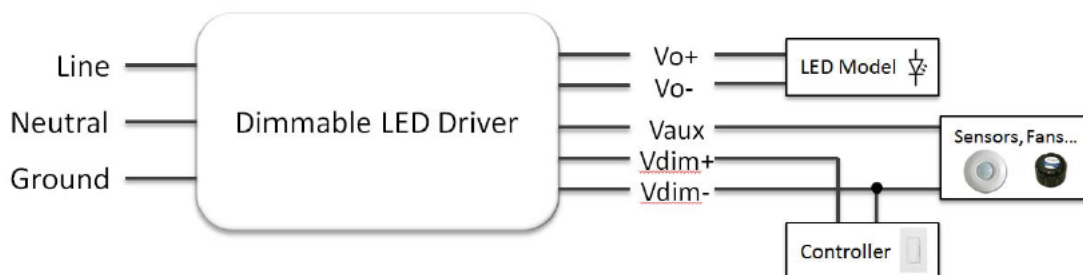
0-10V Dimming Curve



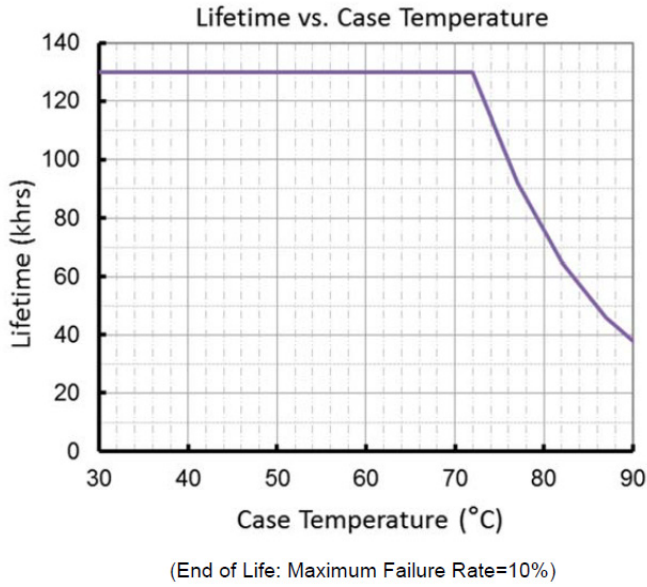
PWM Dimming Curve



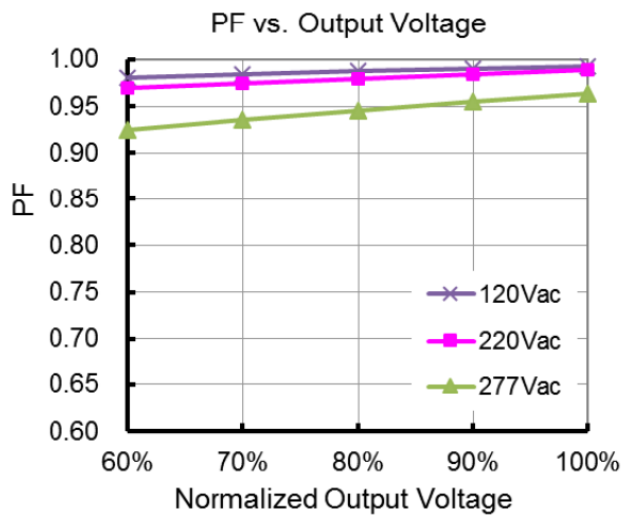
Dimming Wiring



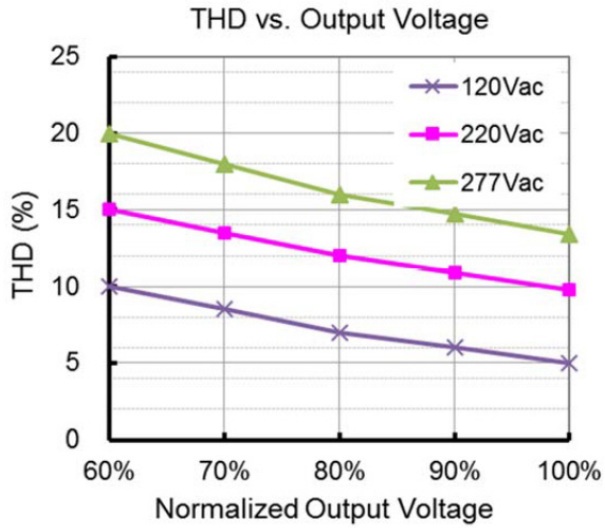
Lifetime vs. Case Temperature



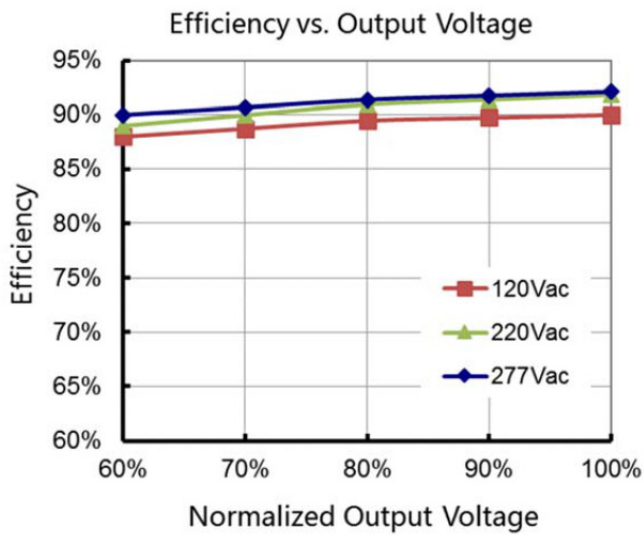
Power Factor vs. Load



THD vs. Load



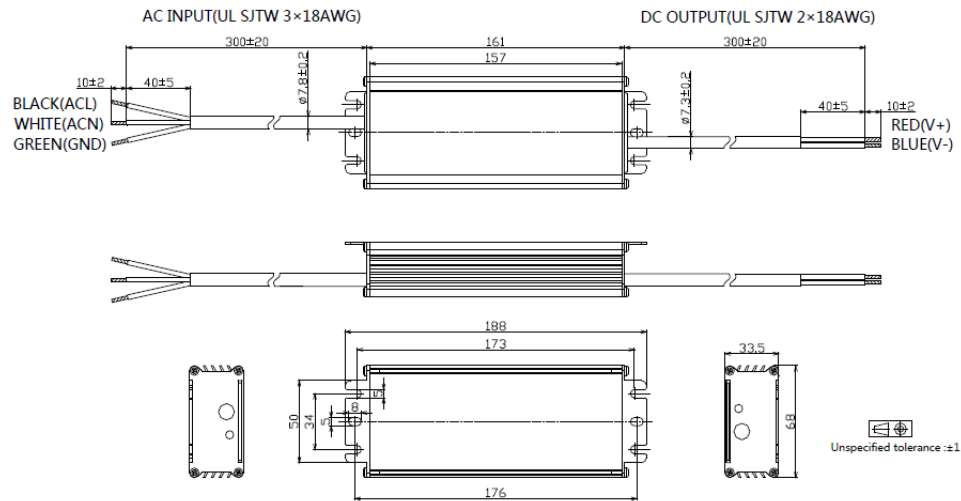
Efficiency vs. Load (1.05A Model)



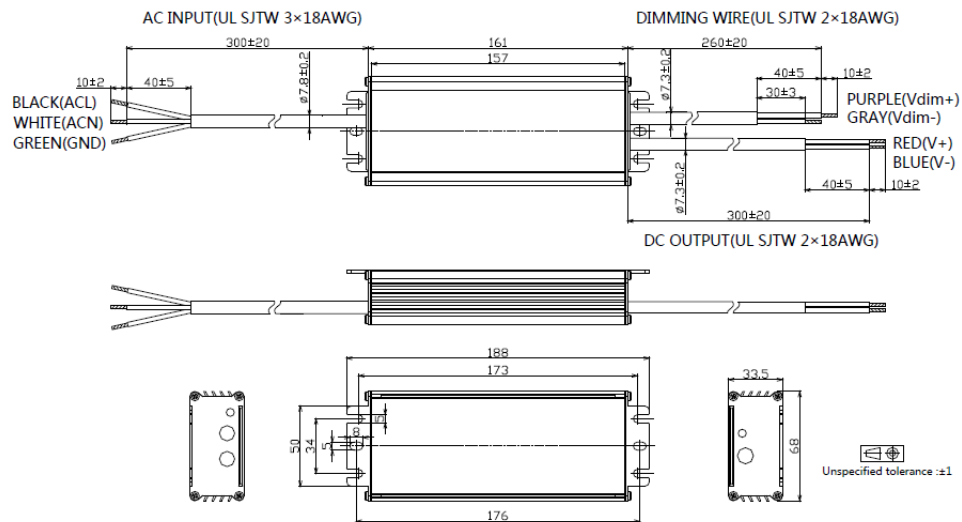
BLD-096-C Series

Mechanical Design

- BLD-096-Cxxx-NN/TRU (UL Cable)

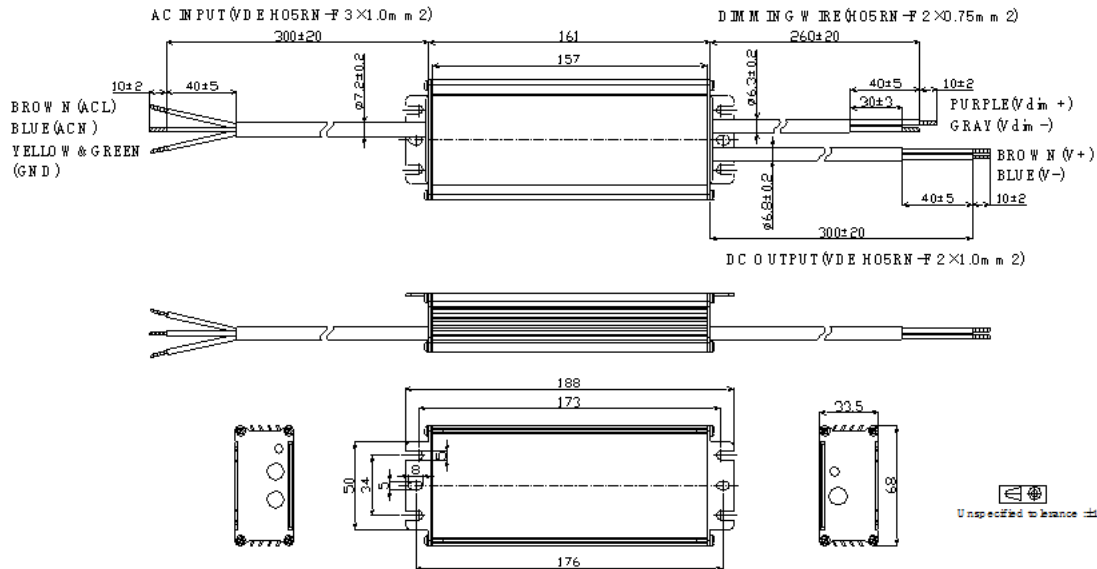


- BLD-096-Cxxx-DN/DRU (UL Cable)

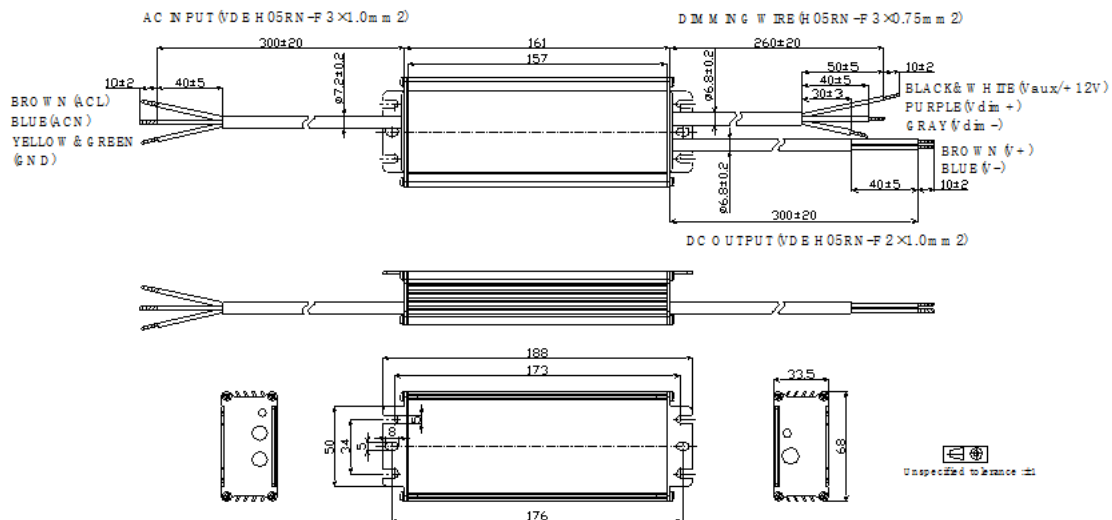


BLD-096-C Series

- BLD-096-Cxxx-DN/DRS (VDE Cable)

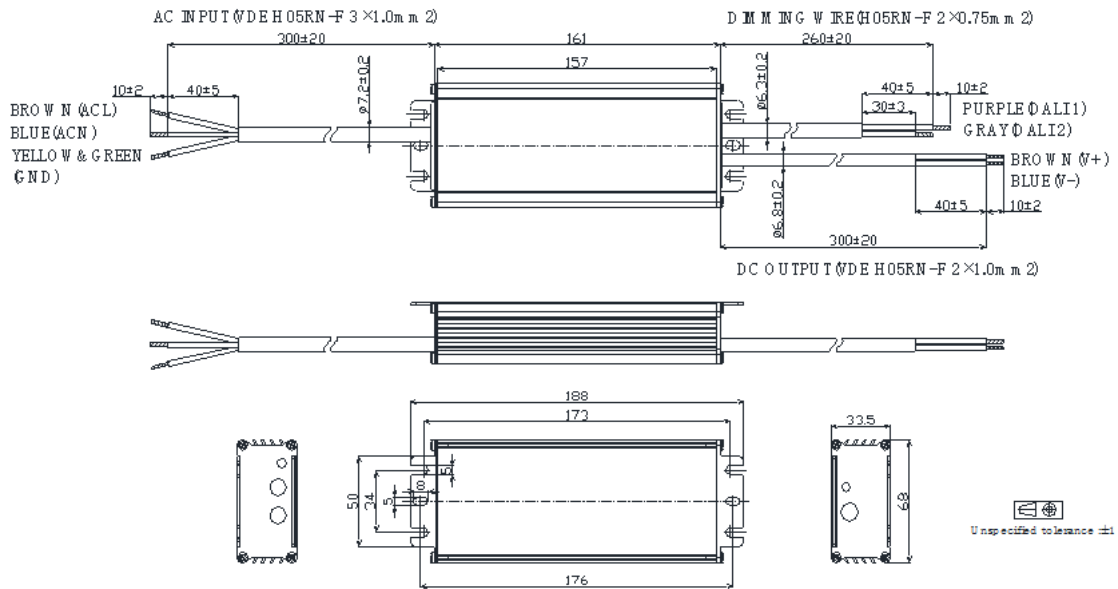


- BLD-096-Cxxx-ERS (VDE Cable)

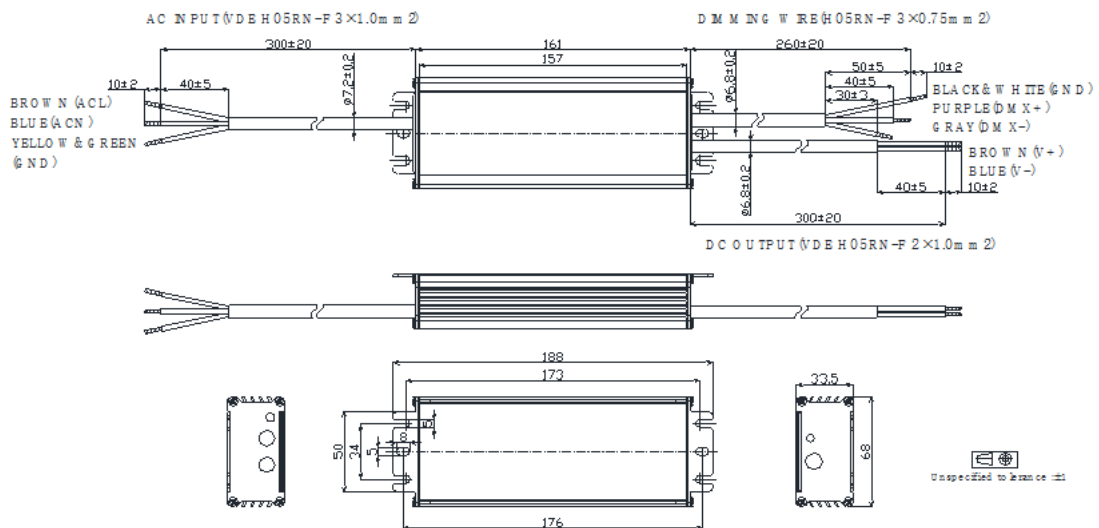


BLD-096-C Series

- BLD-096-Cxxx-ANS (VDE Cable)



- BLD-096-Cxxx-MRS (VDE Cable)



Appendix – Operation Range

Model	Typical Set Output Current (mA)	Max Output Power (W)	Output Voltage Min (V)	Output Voltage Max(V)	Minimum Dimming Current (mA)
-C050	500	96	115	192	50
	450	96	128	213	45
	400	96	144	240	40
	350	96	165	274	35
	300	82	165	274	35
	250	69	165	274	35
	200	55	165	274	35
	150	41	165	274	35

	35	10	165	274	35

Model	Typical Set Output Current (mA)	Max Output Power (W)	Output Voltage Min (V)	Output Voltage Max(V)	Minimum Dimming Current (mA)
-C070	700	96	82	137	70
	650	96	89	148	65
	600	96	96	160	60
	550	96	105	175	55
	500	96	115	192	50
	450	86	115	192	50
	400	77	115	192	50
	350	67	15	192	50

	50	10	115	192	50

BLD-096-C Series

Model	Typical Set Output Current (mA)	Max Output Power (W)	Output Voltage Min (V)	Output Voltage Max(V)	Minimum Dimming Current (mA)
-C105	1050	96	55	91	105
	1000	96	59	96	100
	950	96	61	101	95
	900	96	64	107	90
	850	96	68	113	85
	800	96	72	120	80
	750	96	77	128	75
	700	96	82	137	70
	650	89	82	137	70
	600	82	82	137	70
	550	75	82	137	70
	500	69	82	137	70

	70	10	82	137	70

Model	Typical Set Output Current (mA)	Max Output Power (W)	Output Voltage Min (V)	Output Voltage Max(V)	Minimum Dimming Current (mA)
-C140	1400	96	41	69	140
	1300	96	44	74	130
	1200	96	48	80	120
	1100	96	52	87	110
	1050	96	55	91	105
	1000	91	55	91	105
	950	87	55	91	105
	900	82	55	91	105
	850	78	55	91	105
	800	73	55	91	105
	750	69	55	91	105
	700	64	55	91	105

	105	10	55	91	105

Model	Typical Set Output Current (mA)	Max Output Power (W)	Output Voltage Min (V)	Output Voltage Max(V)	Minimum Dimming Current (mA)
-C210	2100	96	27	46	210
	2000	96	29	48	200
	1900	96	30	51	190
	1800	96	32	53	180
	1700	96	34	56	170
	1600	96	36	60	160
	1500	96	38	64	150
	1400	96	41	69	140
	1300	89	41	69	140
	1200	82	41	69	140
	1100	75	41	69	140
	1000	69	41	69	140

	140	10	41	69	140

Model	Typical Set Output Current (mA)	Max Output Power (W)	Output Voltage Min (V)	Output Voltage Max(V)	Minimum Dimming Current (mA)
-C280	2800	96	21	34	280
	2700	96	21	36	270
	2600	96	22	37	260
	2500	96	23	38	250
	2400	96	24	40	240
	2300	96	25	42	230
	2200	96	26	44	220
	2100	96	27	46	210
	2000	91	27	46	210
	1900	87	27	46	210
	1800	82	27	46	210
	1700	78	27	46	210

	210	78	27	46	210

BLD-096-C Series

Model	Typical Set Output Current (mA)	Max Output Power (W)	Output Voltage Min (V)	Output Voltage Max(V)	Minimum Dimming Current (mA)
-C420	4200	96	14	23	420
	4100	96	14	23	410
	4000	96	14	24	400
	3900	96	15	25	390
	3800	96	15	25	380
	3700	96	16	26	370
	3600	96	16	27	360
	3500	96	16	27	350
	3400	96	17	28	340
	3300	96	17	29	330
	3200	96	18	30	320
	3100	96	19	31	310
	3000	96	19	32	300
	2900	96	20	33	290
	2800	96	20	33	290
	2700	89	20	33	290
	2600	86	20	33	290

	290	9	20	33	290