

# NE-L07U-350.700

## LED DRIVER

Henleinstraße 1, D-85570 Markt Schwaben  
Telefon: +49 8121 / 2583-0  
Telefax: +49 8121 / 2583-80  
Email: info@neumueller.com  
http://www.neumueller.com



### Features:

- ◆ Driver for High Power LEDs
- ◆ Constant Current 350mA or 700mA
- ◆ Universal input ranging from 100~240V
- ◆ Wire leads at input and output sides
- ◆ Screw fixing options (1, 2 or none) available
- ◆ Compact Size
- ◆ 2-Year Warranty with predicted 5 years life time
- ◆ UL/TUV/CE approved

### Test Standards:

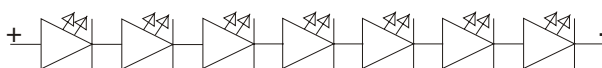
- ◆ Hi-Pot Test:  
PRI to SEC 5300 VDC, 5mA 2 Sec
- ◆ EN61347-1, EN61347-2-2, EN61347-2-12  
EN55015, EN61547, EN61000-3-2,  
EN61000-3-3, UL1310
- ◆ Complies with EMC and FCC Class A
- ◆ UL File Number: E124867

### Electrical Specifications:

	NE-L07U-350	NE-L07U-700
Primary Voltage (VAC)	100V ~ 240V	100V ~ 240V
Input Frequency (HZ)	50/60 Hz	50/60 Hz
Secondary Output Voltage (V)	4V ~28V	4~12V
Output Power (VA(W))	7W Max.	7W Max.
Short Circuit Protection	Yes	Yes
Overload Protection	Yes	Yes
Overvoltage Protection	Yes	Yes
Thermal Protection	Yes	Yes
Ambient Temperature	-10°C ~ +50°C	-10°C ~ +50°C
Storage Temperature	-40°C ~ +85°C	-40°C ~ +85°C
Max. Temp. at Tc.	70°C	70°C
Safety Approval	UL/cUL/TUV/CE	UL/cUL/TUV/CE
Dimension	66(L)*35(W)*27(H) mm	66(L)*35(W)*67(H) mm
Weight	80g	80g

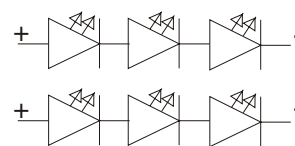
### Connection Diagram:

#### NE-L07U-350 Wiring Diagram



Drives 1 to 7 units of 1 W (350mA) LEDs series

#### NE-L07U-700 Wiring Diagram

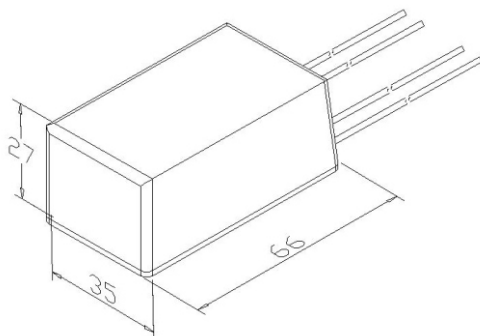


Drives 3 units of 1W (350mA) LEDs in series and 2 parallels



Drives 1~2 units of 3W (700mA) LEDs inseries

### Dimension:



Ref:06072101