

KV-30W-TD series

Triac dimmable driver

Constant Voltage series 30W

- Output constant voltage
- Range AC input/ :180-240VAC
- Built-in active PFC function
- Efficiency :up to 85%
- Protections:short circuit/over loading/over current
- Full protection plastic housing easy installation
- IP20 design for indoor installation
- Cooling by free air convection
- Work with leading edge and trailing edge TRIAC dimmers
- Strong compatibility, flicker-free dimming
- Suitable for LED lighting and moving sign applications
- Suitable for dry locations



Model	KV-12030-TD	KV-24030-TD	KV-36030-TD	KV-48030-TD
-------	--------------------	--------------------	--------------------	--------------------

Output

DC Voltage	12V	24V	36V	48V
Voltage Tolerance	±0.5V			
Rated current	2.5A	1.25A	0.88A	0.625A
Rated power	30W			

Input

Voltage Range	180-240VAC			
Frequency Range	47 - 63HZ			
Power Factor	PF≥0.98/180VAC PF≥0.95/230VAC PF≥0.95/240VAC (Full loading)			
Full Load Efficiency(Typ.)	81%	83%	84%	85%
AC Current(Max.)	0.22A	0.21A	0.21A	0.21A
Surge Current	1A(twidth=800uS)Input 120VAC		1.5A(twidth=800uS)Input 230VAC	
Leakage Current	<0.5mA			

Protection

Short Circuit	Protection type: Hiccup mode, recovers automatically after fault condition is removed
Over Load	≤ 120%
Over Circuit	≤1.2 I * out
Protection Class:	II

KV-30W-TD series

Environment

Working TEMP.	-40°C - +60°C
Working Humidity	20 - 90%RH,non-condensing
Storage TEM.,Humidity	-40°C - +80°C, 10-95%RH
TEMP.coefficient	±0.03%/°C (0-50°C)
Vibration	10-500Hz,2G 12min./1 cycle,period for 72min.each along X.Y.Z axes.

Safety & EMC

Safety Standards	EN61347-1 EN61347-2-13 IP66
Withstand voltage	I/P-O/P:3.75KVAC I/P-FG:1.88KVAC O/P-FG:0.5KVAC
Isolation resistance	I/P-O/P I/P-FG O/P-FG:100MΩ/500VDC/25°C /70%RH
EMC EMISSION	EN55015,EN61000-3-2,3 (≥60%loading)
EMC IMMUNITY	EN61000-4-2,3,4,5,6,11,EN61547,A light industry level (Surge 4KV)

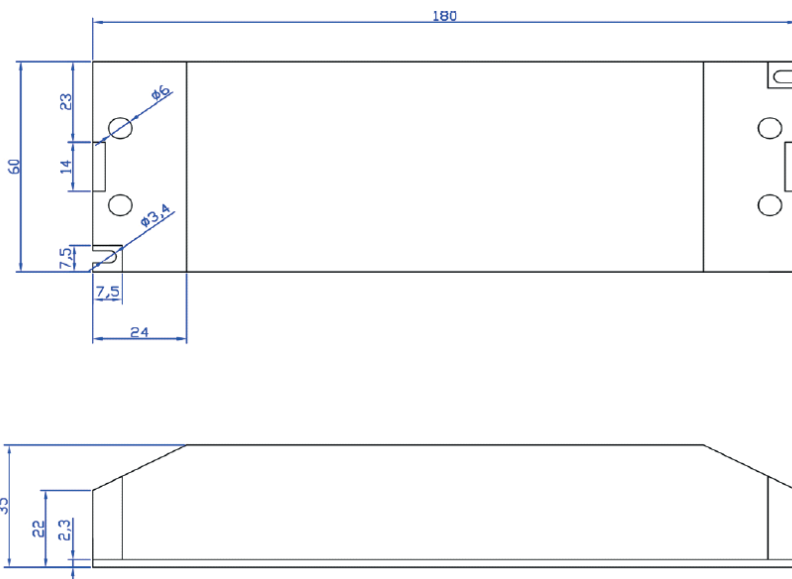
Others

Net.Weight	0.45KG
Size	180*60*35mm(L*W*H)
packing	355*215*215mm/20 pcs /CTN

Notes

1. All parameters NOT specially mentioned are measured at 230VAC input , rated load and 25°C of ambient temperature.
2. Tolerance: includes set us tolerance, line regulation and load regulation .
3. The power supply is considered as a component that will be operated in combination with final Equipment. Since EMC performance will be affected by the complete installation, the final equipment manufactures must be-qualify EMC Directive on the complete installation again

Mechanical Specification



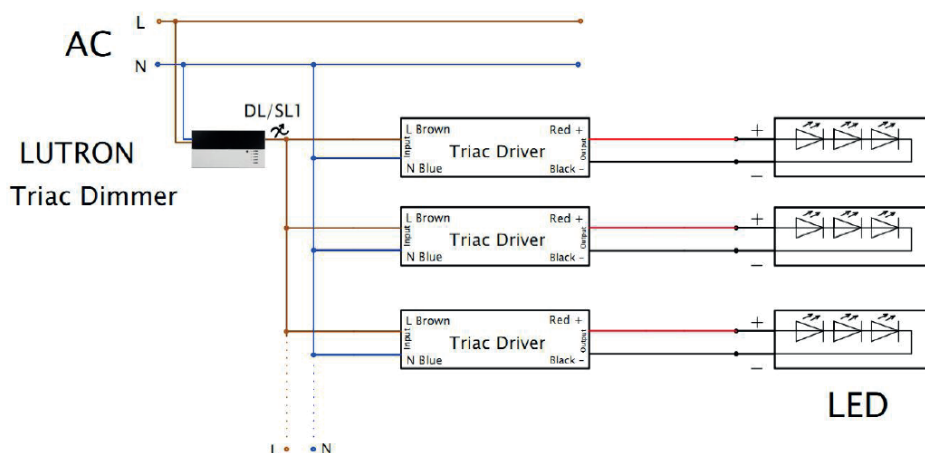
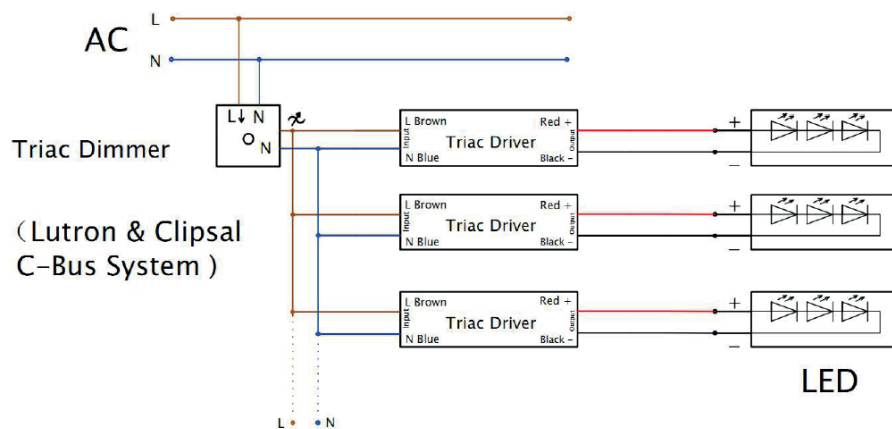
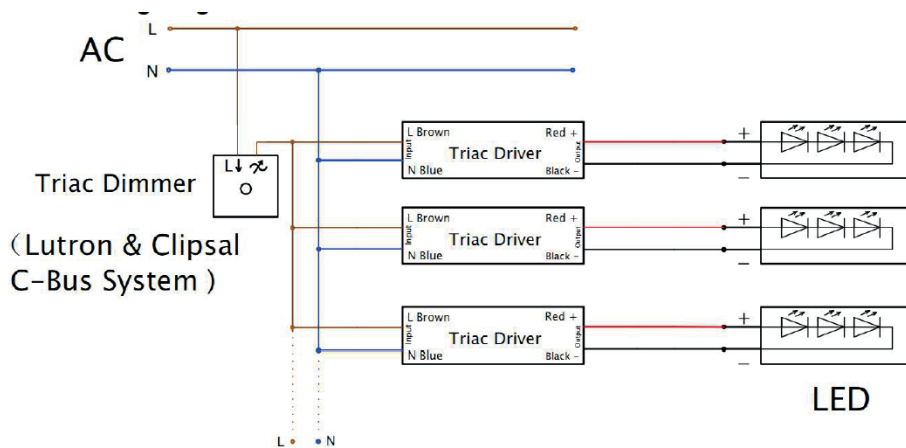
- Input with Live Wire AC (L), Neutral Wire AC(N)
- Output LED SEC output Positive (LED+) , output negative(LED-). Connected to LED Lamps.
- Suggested wire diameter:Input 0.75-4mm² ; Output:0.5-2.5mm² .
- Please make sure you connect these correctly otherwise your product will not function correctly and could be damaged.
- Note: Any other requests we can customized.

KV-30W-TD series

Dimming Operation

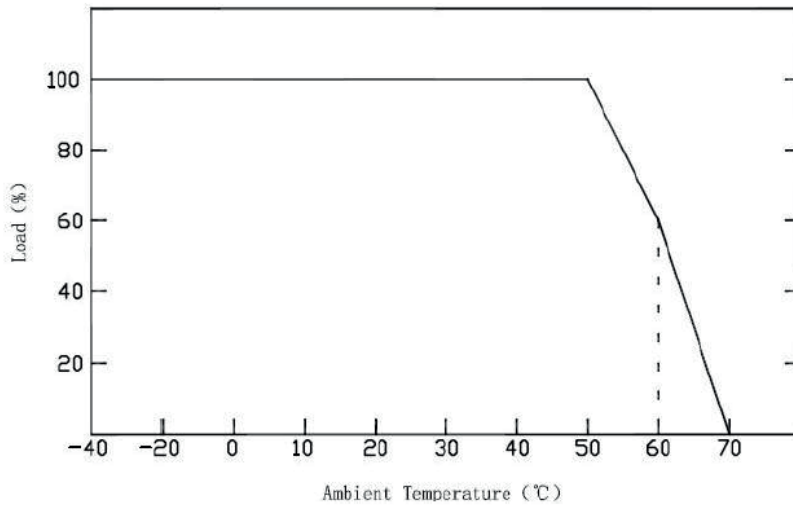
- Output constant current level can be adjusted through input terminal of the AC phase line(L) by connection a triac dimmer.
- Compatible with Leading edge or trailing edge triac dimmers.
- Please try to use the small power dimmer, have access to a wider dimming range, high-power dimmer is difficult to achieve the output current to zero

Connecting Diagram



KV-30W-TD series

Derating Curve



To extend their life, please refer to the Derating Curve and derate according to the temperature.

Instruction

- 1) This driver should be installed by qualified and professional person;
- 2) Please make sure the transformer is installed with adequate ventilation around it to allow for heat dissipation.
- 3) Ensure that wiring is correct before test in order to avoid light and power supply damage;
- 4) If driver cannot work normally, don't maintain privately; Have any question, please contact.