

AW02-500F24

# Dimmable LED Power Supply

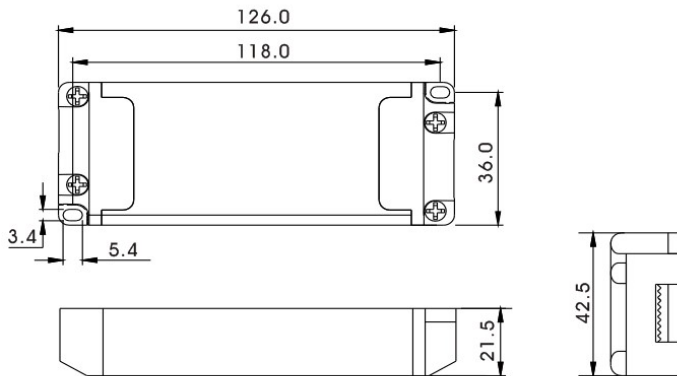
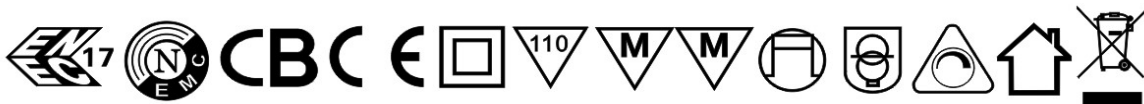
## Constant Current Driver Series

### Key Features

- Long lasting and high reliability,
- Extra small compact housing,
- Suitable for use with downlights,
- Spotlights, and other indoor LED applications



### Approval marks



### Safety and EMC standard

Safety according to

EN 61347-1 , 61347-2-13, 62493

RI suppression according to EN 55015 /CDN

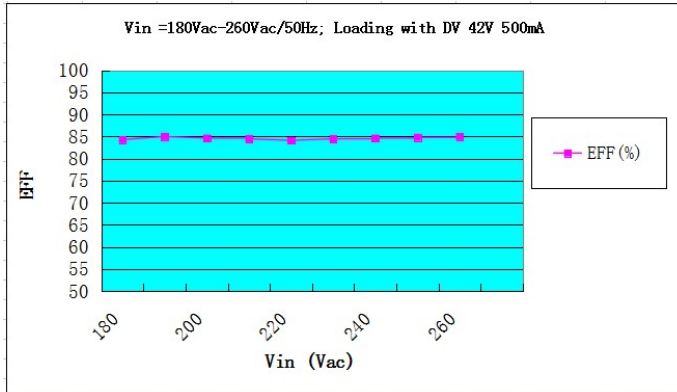
Line harmonics according to EN 61000-3-2

Immunity according to EN 61547

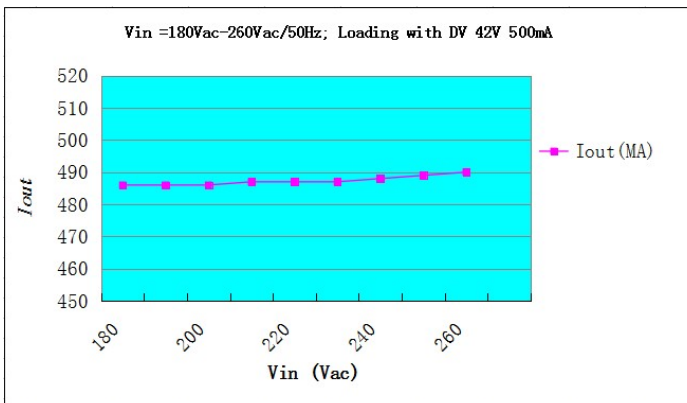


AW02-500F24

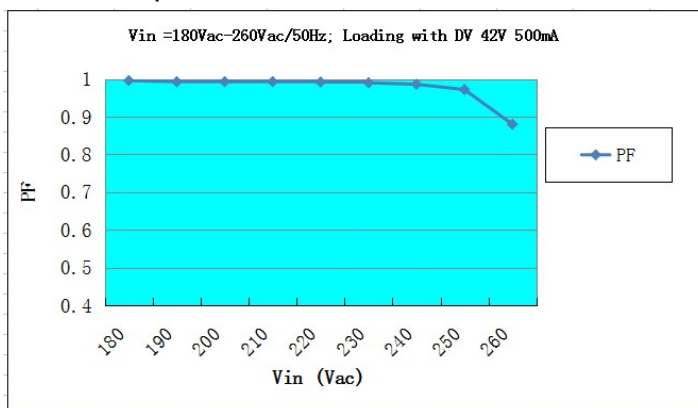
### Variable Input Vs Efficiency



### Variable Input Vs Iout Measurement



### Variable Input Vs PF Measurement



### Disclaimer

The information in this data sheet subject to change without notice.

Always make sure to use the most recent release, or consult with us before your final selection.