

AW06-24VD12

LED Power Supply Constant Voltage Driver Series

- Long lasting and high reliability,
- Extra small compact housing,
- Suitable for use with desk/table lamp, floor lamp
- and other indoor LED applications



Approval marks


SELV equivalent

Item	Value Unit Remarks
------	------------------------

1. Input

Nominal voltage	220~240 Vac
Nominal Frequency	50 / 60 Hz
AC Voltage Range	200 – 264 VAC Permitted voltage range
DC Voltage Range	NA V
Maximum Voltage	264V 2hrs
Nominal Current	120 mA 230V @ 12W load
Total Harmonic Distortion (THD)	NA
Power Factor	0.8 Full load, 230 V, 50 Hz
Efficiency	>85% Full load, 230 V, 50 Hz, typical
No-load Power	< 0.5 W 230V, typical
Stand-by power	NA
Power loss	2W at 230V input @ 12W load max.
Input power	14W at 230V input @ 12W load max.
Protection class	II
Inrush current	< 5 A twidth = 100 μ s typical (measured at 50% Ipeak)

2. Output

Nominal voltage range	24VDC
Maximum voltage	25VDC Open circuit
Nominal current range	0-500MA
Current accuracy	+/- 5 %
Current ripple	10 % typical
Nominal power range	12 W Partial Load.
Maximum power	12 W $T_a \leq 35^\circ\text{C}$,
Safety isolation	SELV-equivalent 3,0 kVrms . Touch current < 0.7 mA

3. Environment

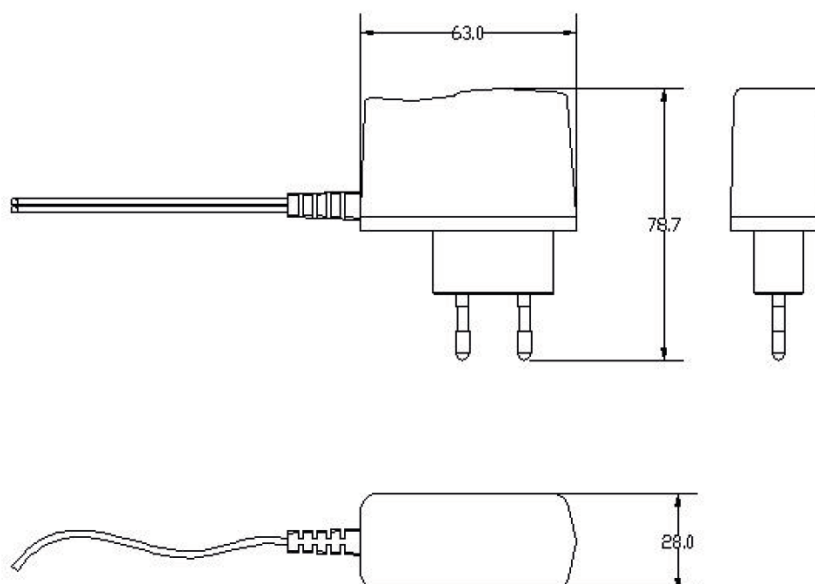
Ambient temperature range t_a	-20 ... +45°C
Maximum case temperature t_c	85 °C Measured on t_c point indicated of the product label
Max. Case temp. in fault condition	110 °C
Storage temperature range	-25 ... +75 °C Cool down before operating
Relative humidity	5 ... 80 % Not condensing
Surge transient protection	0.5 kV L/N acc. IEC 61000-3-2 (ANSI C62.41 Cat.A ...)
Environmental rating	Indoor
IP rating	IP 20
Mains switching cycles	> 100'000
Expected Lifetime	3 years @ $t_a = 45^\circ\text{C}$, $t_c = 85^\circ\text{C}$, 10% failure rate
	5 years @ $t_a = 35^\circ\text{C}$, $t_c = 75^\circ\text{C}$, 10% failure rate

4. Protection

Overheating Protection	yes, automatic reversible
Overload Protection	yes, automatic reversible
Short Circuit protection	yes, automatic reversible
Hot plug-in protection	Not required for 24V

5. Dimension Weight

Dimensions	80 x 63 x 27 mm
Weight	65g
Max. cable length	2m
Cable crosssection, input side	N/A
Cable crosssection, output side	0.2...0.75 mm ²

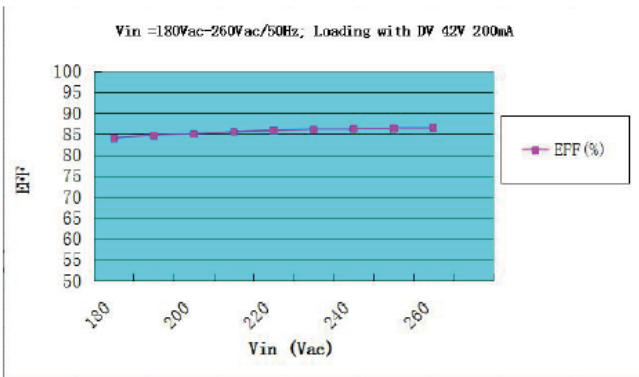


AW06-24VD12

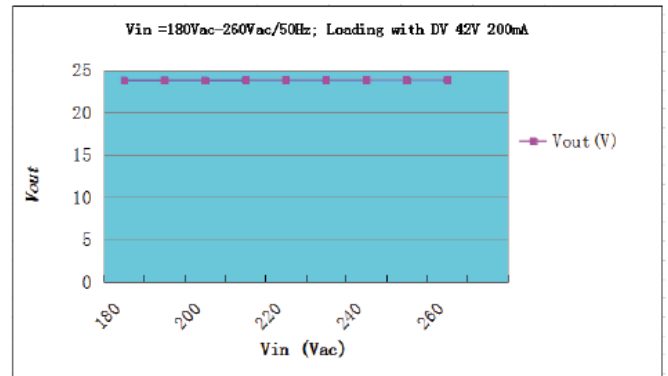
Safety and EMC standard

Safety according to
 EN 61347-1 , 61347-2-13, 62493
 RI suppression according to EN 55015 /CDN
 Line harmonics according to EN 61000-3-2
 Immunity according to EN 61547

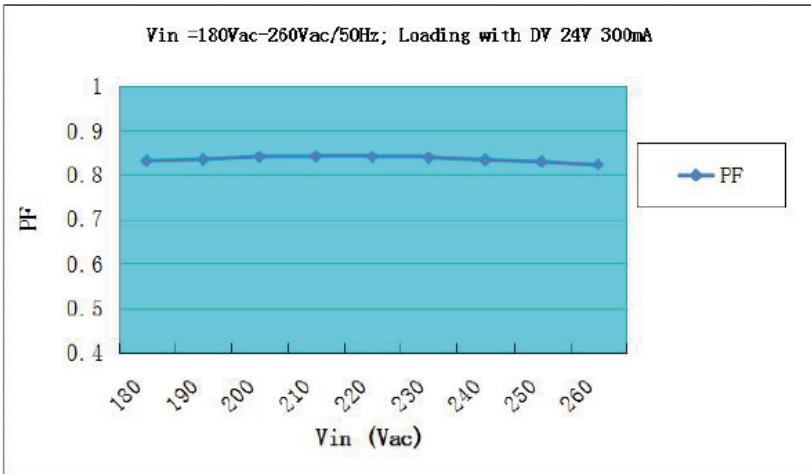
Variable Input Vs Efficiency



Variable Input Vs Vout Measurement



Variable Input Vs PF Measurement



Disclaimer

The information in this data sheet subject to change without notice.
 Always make sure to use the most recent release, or consult with us before your final selection.