

ECO-24VN80

LED Power Supply

Constant Voltage Driver | 24V_{DC} | 0-3300mA

- Long lasting and high reliability
- Extra small compact housing
- Suitable for use with downlights, Spotlights, and other indoor LED applications



Safety and EMC standard

- Safety according to EN 61347-1 , 61347-2-13, 62493
- RI suppression according to EN 55015 /CDN
- Line harmonics according to EN 61000-3-2
- Immunity according to EN 61547

Approval marks



Item	Value/Unit /Remarks
------	---------------------

1. Input

Nominal voltage	220 – 240 VAC
Nominal frequency	50 - 60 Hz
AC voltage range	200 – 264 VAC Permitted voltage range
DC voltage range	NA V
Maximum voltage	264 V 2hrs
Nominal current	550 mA 230V @ 80W load
Total Harmonic Distortion (THD)	< 20 % Full load, 230 V, 50 Hz
Power factor	0.9 Full load, 230 V, 50 Hz
Efficiency	>89% Full load, 230 V, 50 Hz, typical
No-load power	< 0.5 W 230V, typical
Stand-by power	NA
Power loss	9.8W at 230V input @ 40W load max.
Input power	89.8W at 230V input @ 40W load max.
Protection class	II
Inrush current	< 5 A twidth = 100 μs typical (measured at 50% Ipeak)

2. Output

Nominal voltage range	24VDC
Maximum voltage	25VDC Open circuit
Nominal current range	3300 mA
Current accuracy	+/- 5 %
Current ripple	10 % typical
Nominal power range	0-80 W Partial Load.
Maximum power	80 W Ta ≤ 45°C,
Safety isolation	SELV-equivalent 3,0 kVrms . Touch current < 0.7 mA

ECO-24VN80

3. Environment

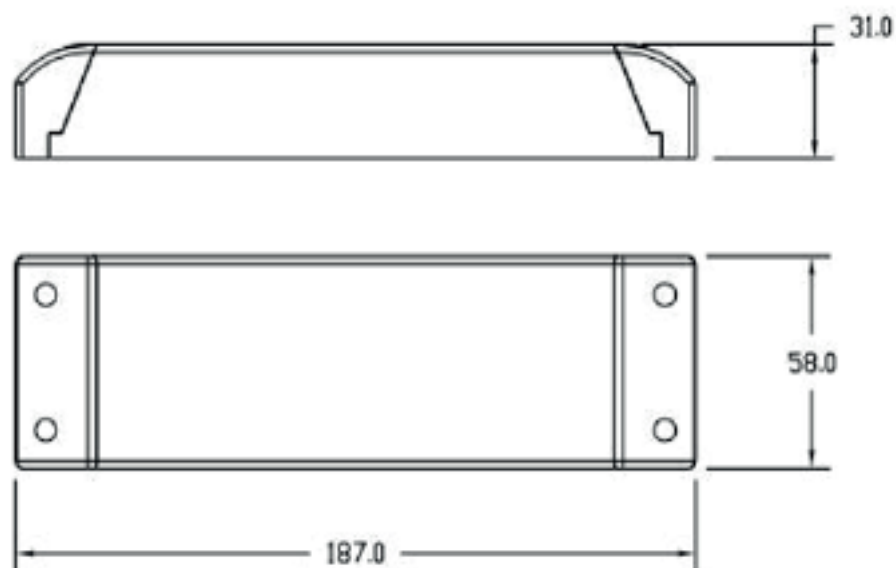
Ambient temperature range t_a	-20 ... +45°C
Maximum case temperature t_c	85°C Measured on t_c point indicated of the product label
Max. Case temp. in fault condition	110 °C
Storage temperature range	-25 ... +75 °C Cool down before operating
Relative humidity	5 ... 80 % Not condensing
Surge transient protection	1.0 kV L/N acc. IEC 61000-3-2 (ANSI C62.41 Cat.A ...)
Environmental rating	Indoor
IP rating	IP 20
Mains switching cycles	> 50'000
Expected lifetime	30'000 @ $t_c = 85^\circ\text{C}$, B10
	50'000 @ $t_c = 75^\circ\text{C}$, B10

4. Protection

Overheating protection	yes, automatic reversible
Overload protection	yes, automatic reversible
Short-circuit protection	yes, automatic reversible
Hot plug-in protection	No, Hot plug-in or secondary switching of LEDs is not permitted and may cause a very high current to the LEDs.

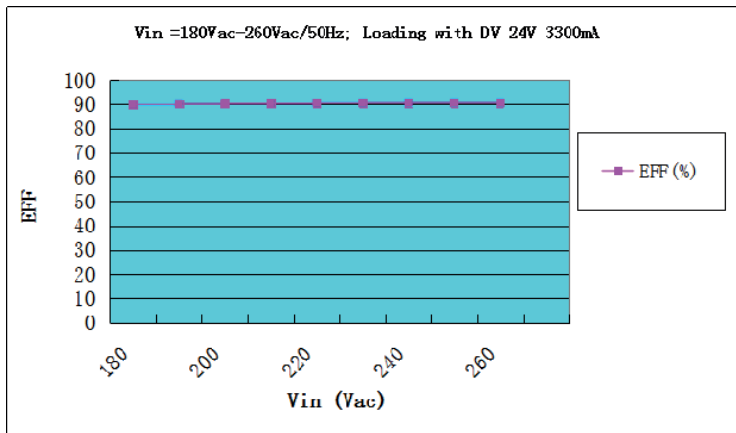
5. Dimension | Weight

Dimensions	190 x 60 x 33 mm
Weight	270g
Max. cable length	1.2m
Cable crosssection, input side	0.5...1.5 mm ²
Cable crosssection, output side	0.2...1.5 mm ²

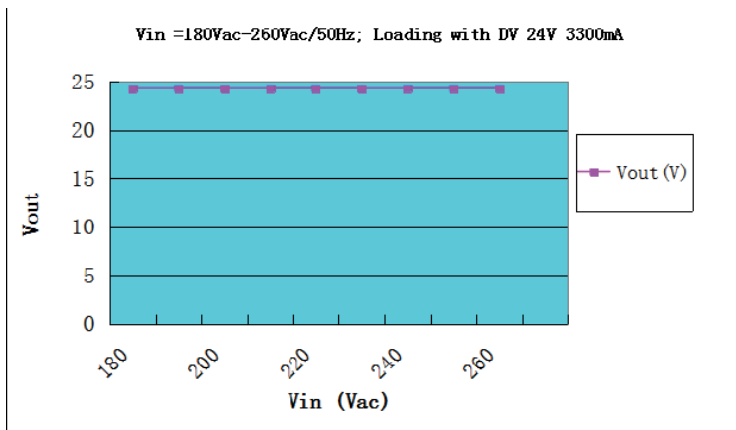


ECO-24VN80

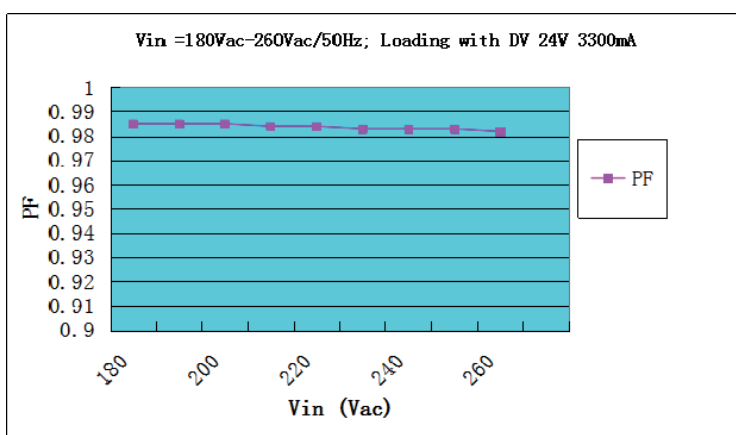
6.1 Variable Input Vs Efficiency



6.2 Variable Input Vs Vout Measurement



6.3 Variable Input Vs PF Measurement



7. Disclaimer

The information in this data sheet subject to change without notice, Always make sure to use the most recent release, or consult with us before your final selection.