

HW03-350F25SDA

LED Power Supply Constant Current Driver

- Long lasting and high reliability,
- Extra small compact housing,
- Suitable for use with downlights,
- Spotlights, and other indoor LED applications



Safety and EMC standard

- Safety according to EN 61347-1, 61347-2-13, 62493
 RI suppression according to EN 55015/CDN
 Line harmonics according to EN 61000-3-2
 Immunity according to EN 61547

Approval marks



Item	Value Unit Remark
------	-----------------------

1. Input

Nominal voltage	220 – 240 VAC
Nominal frequency	50 - 60 Hz
AC voltage range	200 – 264 VAC Permitted voltage range
DC voltage range	NA V
Maximum voltage	264 V
Nominal current	180mA 230V @ 22W load
Total Harmonic Distortion (THD)	< 20 % Full load, 230 V, 50 Hz
Power factor	0.9 Full load, 230 V, 50 Hz
Efficiency	> 85 % Full load, 230 V, 50 Hz, typical
No-load power	< 1 W 230V, typical
Stand-by power	NA W
Power loss	3 W at 230V input @ 25W load max.
Input power	28W at 230V input @ 25W load max.
Protection class	II
Inrush current	< 5 A twidth = 100 μ s typical (measured at 50% Ipeak)

2. Output

Nominal voltage range	35 - 71VDC
Maximum voltage	80 VDC Open circuit
Nominal current range	350 mA
Current accuracy	+/- 5 %
Nominal power range	13 – 25W Partial Load.
Maximum power	25 W Ta \leq 50°C,
Safety isolation	SELV-equivalent 3,000 kVrms . Touch current < 0.7 mA

HW03-350F25SDA

3. Environment

Ambient temperature range t_a	-20 ... +45 °C
Maximum case temperature t_c	85 °C Measured on t_c point indicated of the product label.
Max. Case temp. in fault condition	110 °C
Storage temperature range	-25 ... +75 °C Cool down before operating
Relative humidity	5 ... 80 % Not condensing
Surge transient protection	1 1 kV L/N LN/PE acc. IEC 61000-3-2 (ANSI C62.41 Cat.A ...)
Environmental rating	Indoor
IP rating	IP 20
Mains switching cycles	> 100'000
Expected lifetime	30'000 hrs $t_c = 85^\circ\text{C}$, B10
	50'000 hrs $t_c = 75^\circ\text{C}$, B10

4. Protection

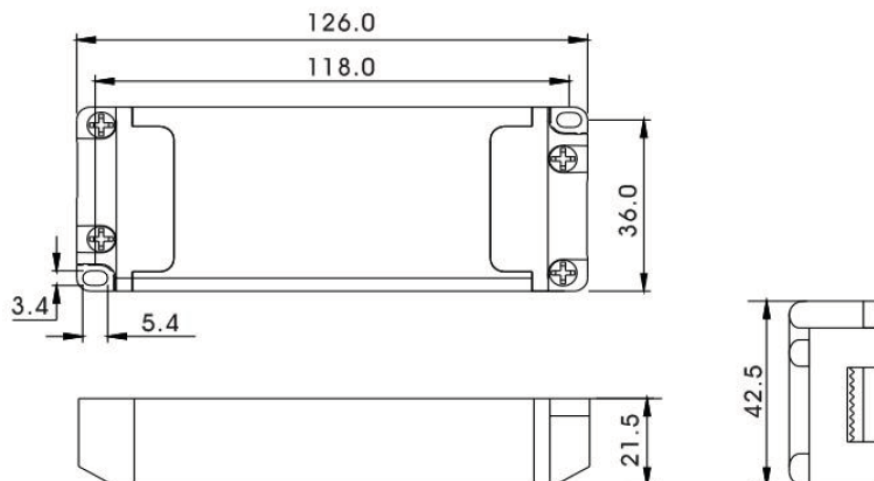
Overheating protection	yes, automatic reversible
Overload protection	yes, automatic reversible
Short-circuit protection	yes, automatic reversible
Hot plug-in protection	No, Hot plug-in or secondary switching of LEDs is not permitted and may cause a very high current to the LEDs.

5. Dimensions | Weight

Dimensions	126 x 42.5 x 21.5
Weight	93g
Max. cable length	1.2m
Cable crosssection, input side	0.5...1.5 mm ²
Cable crosssection, output side	0.2...1.5 mm ²

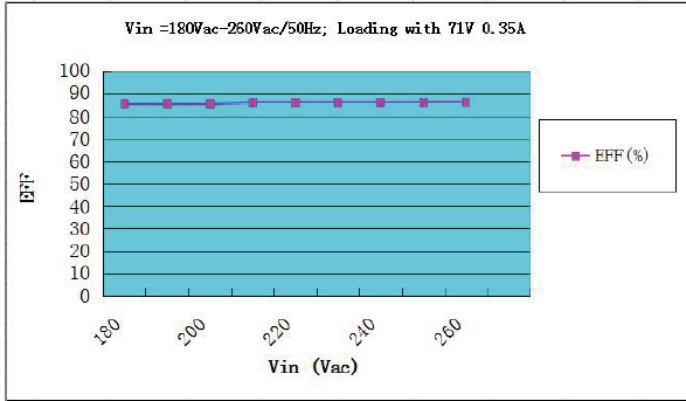
Switch function:

Step 1: switch on, 100% light ;
 Step 2: switch off ,and then switch on within 3seconds, 50% light ;
 Step 3: switch off ,and then switch on within 3seconds, 10% light ;
 Step 4: switch off ,and then switch on within 3seconds, 100% light ;
 Switch on after 3seconds, the chosen brightness is setted;
 Switch off after 3seconds,and then switch on,the brightness is 100% light.

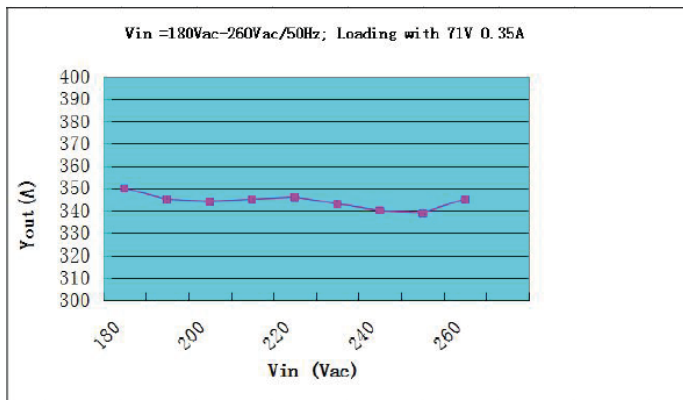


HW03-350F25SDA

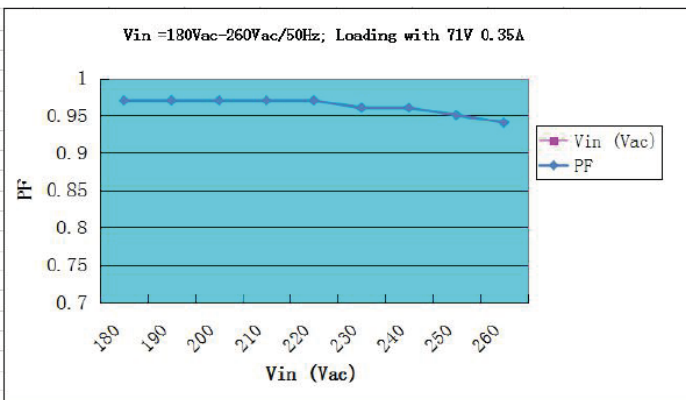
Variable Input Vs Efficiency



Variable Input Vs Iout Measurement



Variable Input Vs PF Measurement



Disclaimer

The information in this data sheet subject to change without notice.
 Always make sure to use the most recent release, or consult with us before your final selection.