

Spezifikationen

Specifications

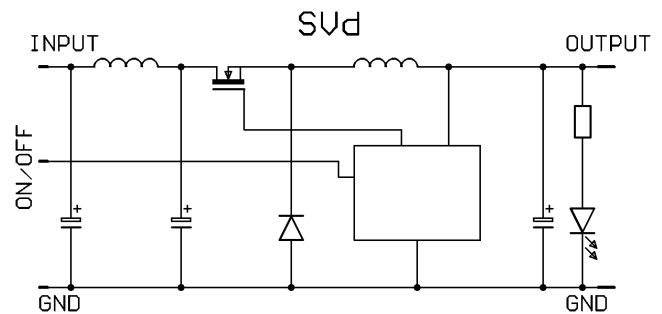
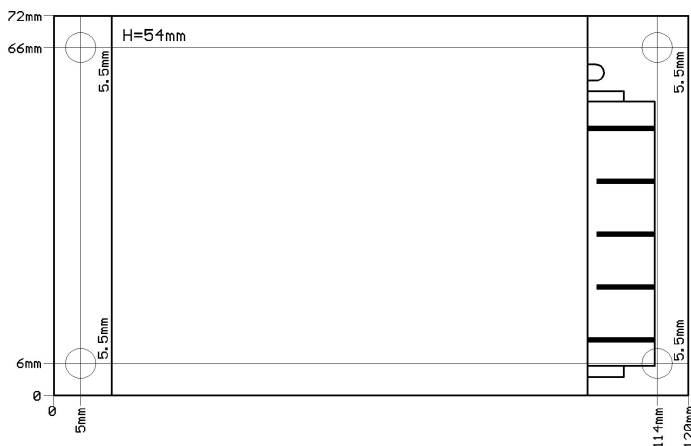
Ausgang kurzschlußsicher durch Abschaltung

Output shortcircuit protected by switch off

ca. 120 % I_{nom}

Mechanische Zeichnung / mechanical drawing

Prinzipschaltbild / block diagram



Bestellbeispiel / order example

SVd 9501 - 2 2
1 2 3

- 1 Gerätetyp / unit type
- 2 Eingangsspannung / input voltage (18-35VDC)
- 3 Ausgangsspannung / output voltage (12VDC)

Anmerkungen / Notes

Andere Ein- oder Ausgangsspannungen sowie Sonderausführungen auf Anfrage.
Other input/output voltages or special modules on request.

We have successfully developed and manufactured power supplies and electronic devices for applications in industry, medicine electronics, railway electronics, communication electronics, vehicles, vessels, aerospace and research for 40 years now. Our program comprises power supplies in various technologies from simple linear power supplies up to high power devices with several kW, encapsulated DC-converter ranging from 1W to 300W for PCB-mounting as well as 19" and open frame power supplies with output power up to several kW. The input voltage range starts at 0,7 and ends at approximately 4000V with the out-put voltage range reaching up to 8000V. Additionally we also offer high voltage-digital-voltmeters, battery chargers, UPS and power electronics for electronic vehicles like traction controllers. In case our standard program does not suit the customers needs we modify existing products or develop and manufacture new customer specific power supplies.

M.Brandner Handels GmbH
Leiterplatten u. elektronische Geräte
Lieferanschrift: Rechnungsanschrift:
Ernst-Abbe-Str. 25 Postfach 4045
72770 Reutlingen 72771 Reutlingen

Handelsregister
Reutlingen
HRB 1626
Geschäftsführer:
Andree Brandner

Telefon (07121) 9129-0
Telefax (07121) 9129-91
email: info@stromversorgung.de
Internet: www.stromversorgung.de