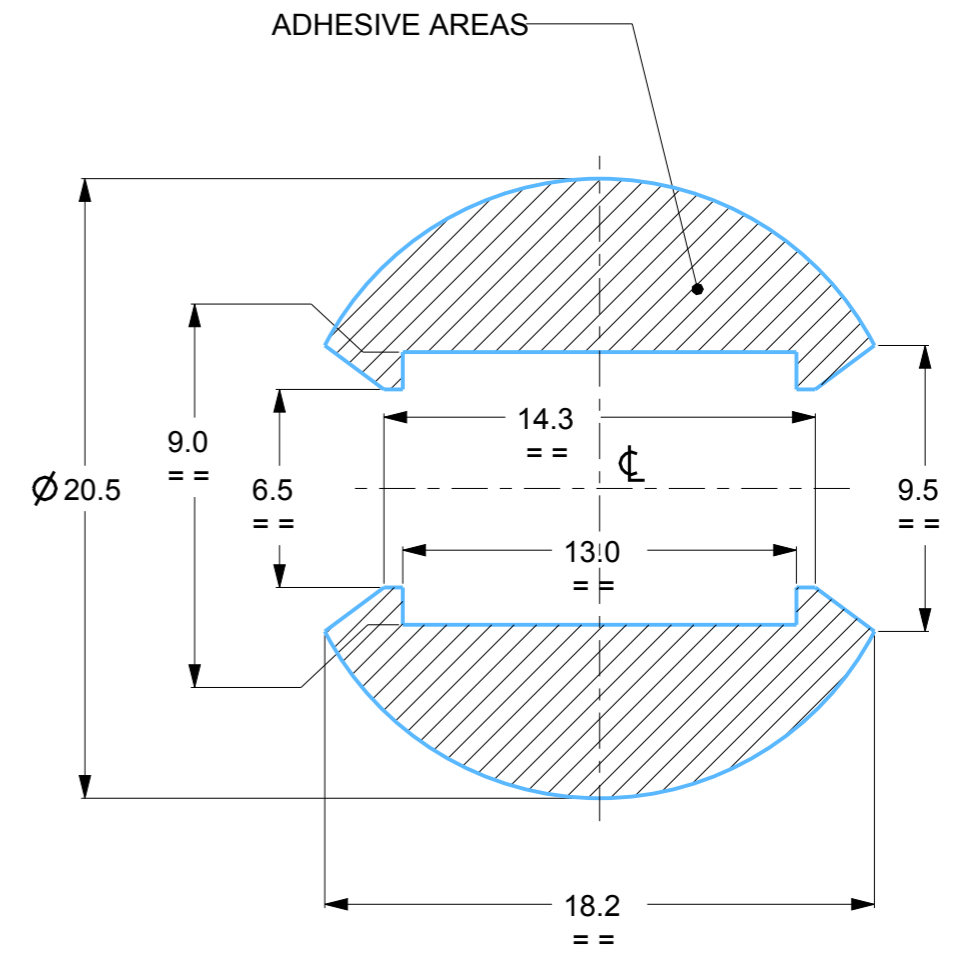
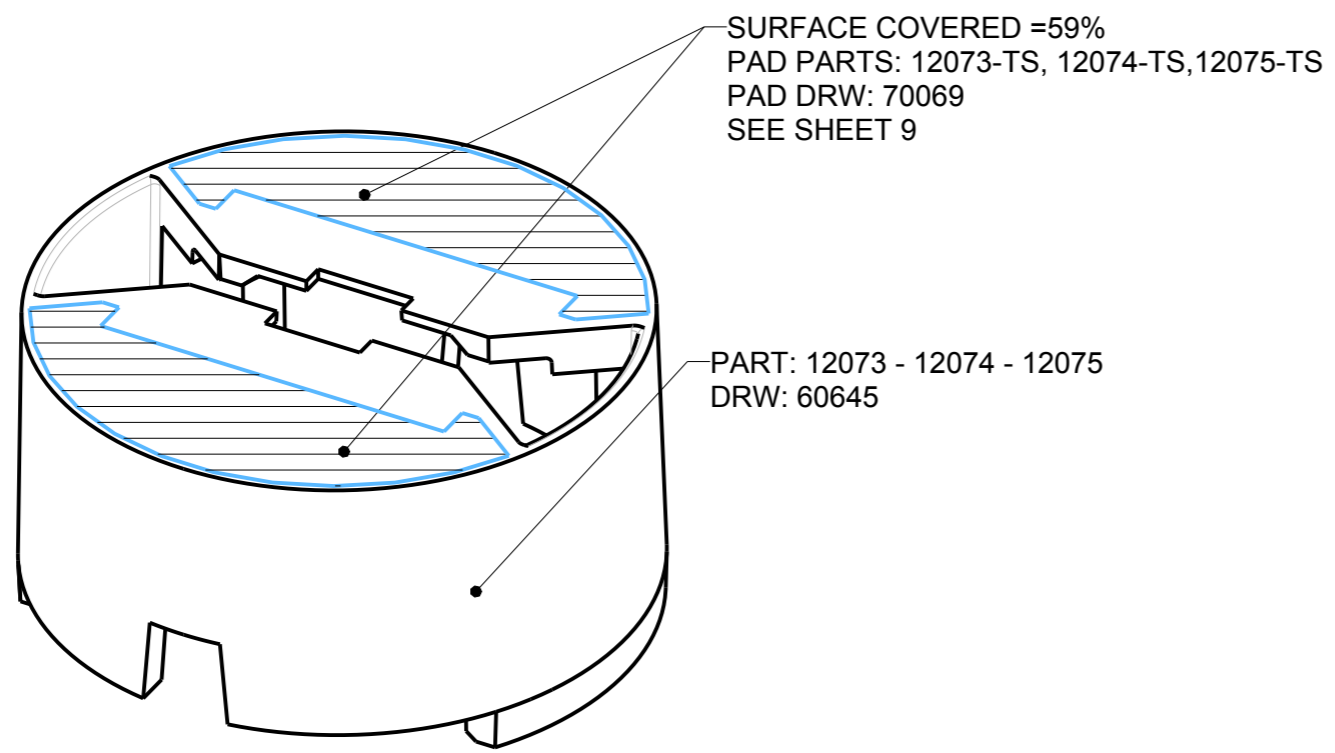


REV.	DATE	D.C.N. NUMBER	DESCRIPTION	CHECKED BY DATE	APPROVED BY DATE
1	22/09/11		FIRST ISSUE	MH 22/09/11	PW 22/09/11



NOTES:
-TAPE SPEC: 3M 9495LE
-THICKNESS 0.17mm
-GENERAL OFFSET FROM HOLDER EDGES IS 0.2mm

PART NUMBER	COLOUR
12073-TS	BLACK
12074-TS	WHITE
12075-TS	CLEAR

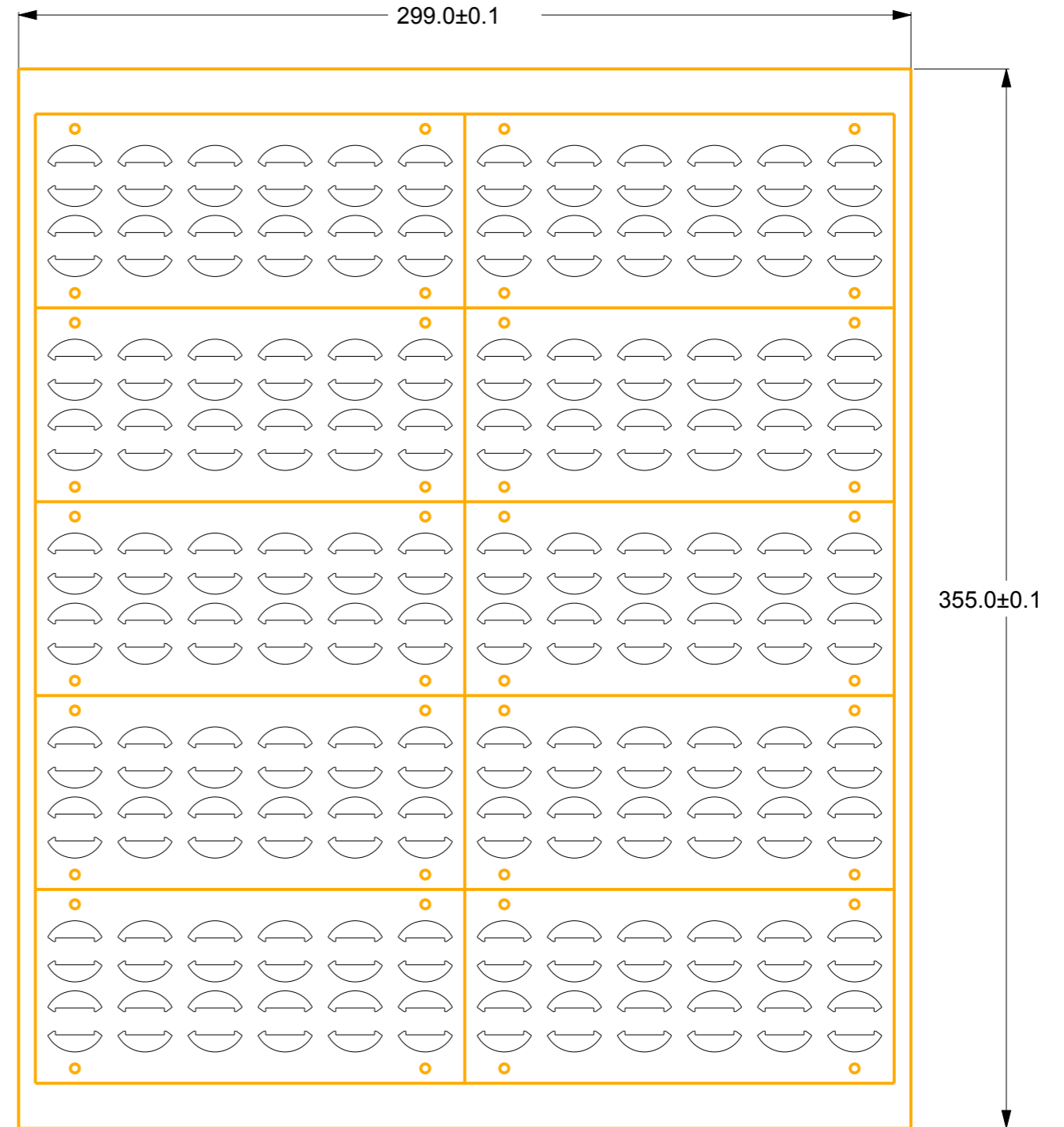
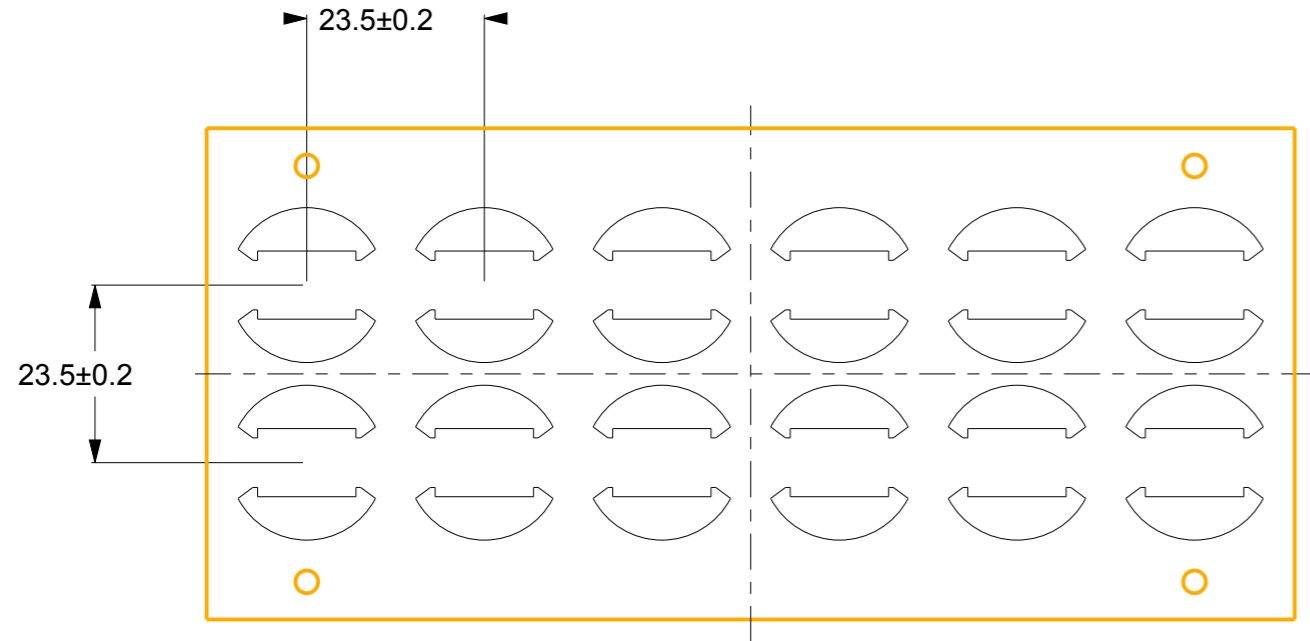
SCALE 4:1

Sheet 9 of 10

 103 BUCKINGHAM AVE, SLOUGH, BERKSHIRE, SL1 4PF, UK Tel: +44 1753 610800, Fax: +44 1753 611359 Email: design@carclo-optics.com www.carclo-optics.com	Title	20mm DIA LED TAPED OPTIC HOLDER FOR CREE XP-E & STD OPTICS			
	Customer	CARCLO			
Drawn by	FP	Material	SEE NOTE	Scale	AS SPEC.
THIRD ANGLE PROJECTION	GENERAL TOLERANCES UNLESS OTHERWISE STATED		DIMENSIONS IN mm		Format Size
	LINEAR	ANGULAR			A3
	0 ± 0.25	0 ± 1°			
	0.0 ± 0.1	0.0 ± 0.5°			
	0.00 ± 0.05	0.00 ± 0.1°			
CARCLO technical plastics			CONFIDENTIAL: UNAUTHORISED COPYING, DISCUSSION & DISTRIBUTION PROHIBITED		
CAD File		80-12567-70064-UNI-SHEET-PAD			
Drw. N°		70069		Part N° SEE TABLE	

GENERAL LAYOUT INFO

REV.	DATE	D.C.N. NUMBER	DESCRIPTION	CHECKED BY DATE	APPROVED BY DATE
1	22/09/11		FIRST ISSUE	MH 22/09/11	PW 22/09/11



- NOTES:
- TAPE SPEC: 3M 9495LE
 - THICKNESS 0.17mm
 - GENERAL OFFSET FROM HOLDER EDGES IS 0.2mm

SCALE 1:2

<p>103 BUCKINGHAM AVE, SLOUGH, BERKSHIRE, SL1 4PF, UK Tel: +44 1753 610800, Fax: +44 1753 611359 Email: design@carclo-optics.com www.carclo-optics.com</p>	Title		UNIVERSAL SHEET ADHESIVE PAD ASSEMBLY			
	Customer		CARCLO			
Drawn by		FP	Material	SEE NOTE	Scale	AS SPEC.
THIRD ANGLE PROJECTION	GENERAL TOLERANCES UNLESS OTHERWISE STATED		DIMENSIONS IN mm		Format Size	A3
	LINEAR	ANGULAR	CAD File		80-12567-70064-UNI-SHEET-PAD	
	0 ± 0.25	0 ± 1°	Drw. N°		70064	
	0.0 ± 0.1	0.0 ± 0.5°	Part N°		12567	
	0.00 ± 0.05	0.00 ± 0.1°	CARCLO technical plastics CONFIDENTIAL: UNAUTHORISED COPYING, DISCUSSION & DISTRIBUTION PROHIBITED			