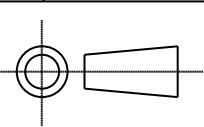

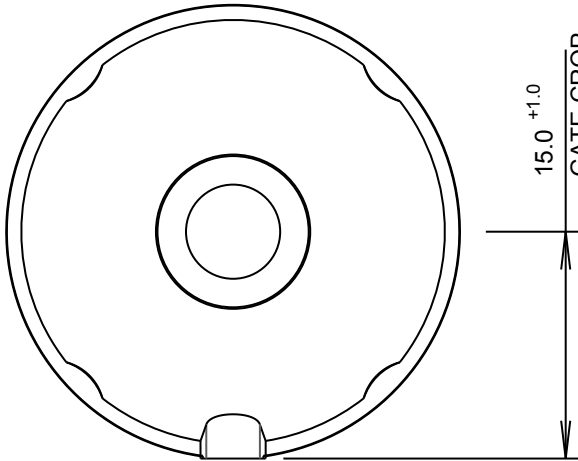
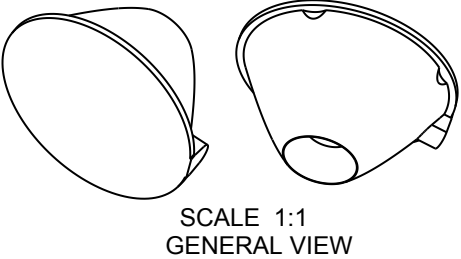
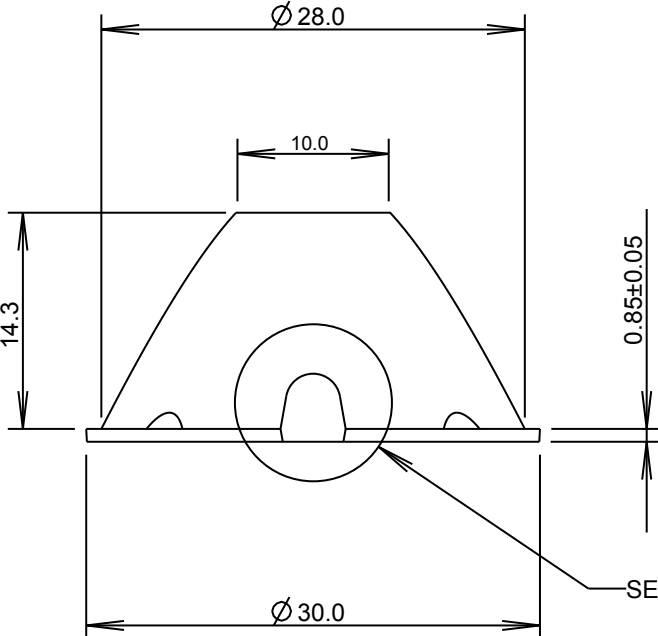
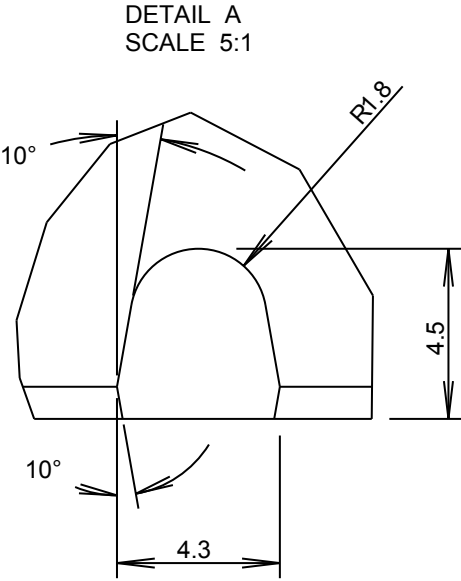


ISS.	DATE	E.C.N.	DESCRIPTION	© 2008 CARCLO ALL DIMENSIONS IN mm		 <p>CARCLO TECHNICAL PLASTICS (SLOUGH) LTD. 111 BUCKINGHAM AVE, SLOUGH SL1 4PF, ENGLAND TEL: +44 1753 575011 FAX: +44 1753 811359 e-mail: design@ctpcoil.co.uk}</p> <p>GENERAL TOLERANCES (UNLESS STATED)</p> <table border="1"> <thead> <tr> <th>LINEAR</th> <th>ANGULAR</th> </tr> </thead> <tbody> <tr> <td>X +/- 0.25</td> <td>X +/- 1°</td> </tr> <tr> <td>X.X +/- 0.1</td> <td>X.X +/- 0.5°</td> </tr> <tr> <td>X.XX +/- 0.05</td> <td>X.XX +/- 0.1°</td> </tr> </tbody> </table>	LINEAR	ANGULAR	X +/- 0.25	X +/- 1°	X.X +/- 0.1	X.X +/- 0.5°	X.XX +/- 0.05	X.XX +/- 0.1°
LINEAR	ANGULAR													
X +/- 0.25	X +/- 1°													
X.X +/- 0.1	X.X +/- 0.5°													
X.XX +/- 0.05	X.XX +/- 0.1°													
1	19-Jun-09		FIRST ISSUE	CUSTOMER DRAWING										
				 <p>SCALE 1:1 GENERAL VIEW</p>										
				 <p>DETAIL A SCALE 5:1</p>										
CUSTOMER				TITLE										
DRAWN				DATE										
CHK'D				DATE										
APP'D				DATE										
SCALE			COIL PART No.											
SIZE			COIL DRG. No.		SHEET									
A4			60579		1 OF 1									
MATERIAL: POLYCARBONATE														