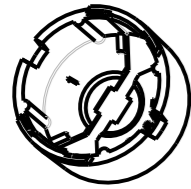
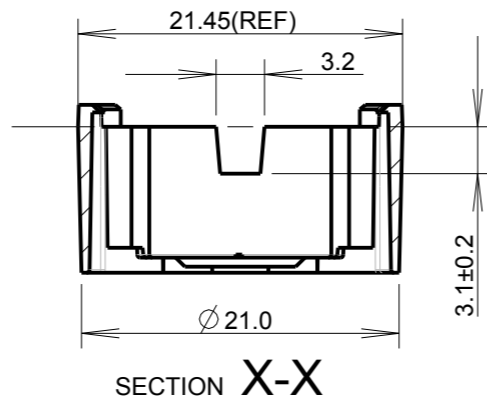
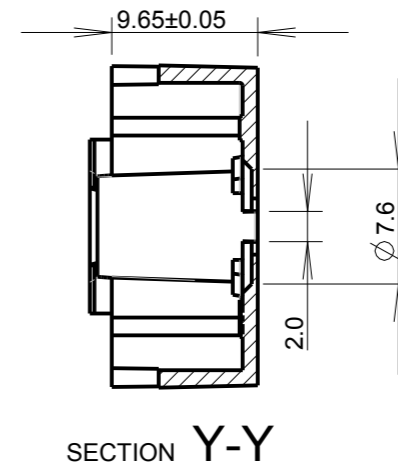
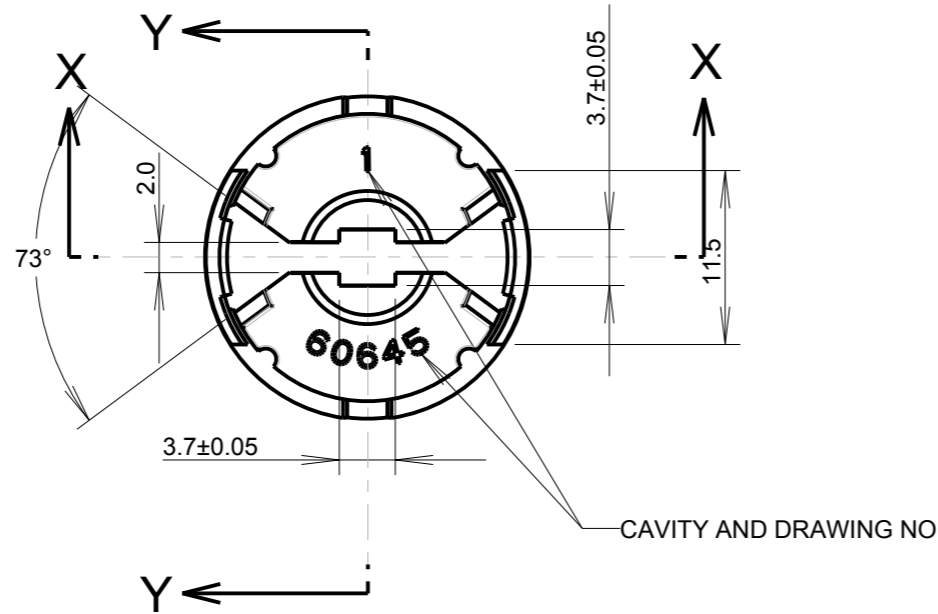


# CUSTOMER DRAWING



3D GENERAL VIEW  
SCALE 1:1

REV.	DATE	D.C.N. NUMBER	DESCRIPTION	CHECKED BY DATE	APPROVED BY DATE
1	17-Sept-10		FIRST ISSUE		
2	20-Apr-11	04/11/1298	MODIFICATION TO AID TOOLING	AJD 18-Apr-11	PW 20-Apr-11
3	01-May-12	10/11/1311	UPDATE TITLE AND CUTOUT DIM AND TOLERANCE	FP 01-May-12	PW 03-May-12



- NOTES:
- MATERIAL: POLYCARBONATE
  - GENERAL WALL THICKNESS 1mm

PART No.	DESCRIPTION
12073	BLACK
12074	WHITE
12075	CLEAR

<p>technical plastics 103 BUCKINGHAM AVE, SLOUGH, BERKSHIRE, SL1 4PF, UK Tel: +44 1753 610800 Fax: +44 1753 811359 design@carclo-optics.com www.carclo-optics.com</p>	Title		20mm ROUND HOLDER FOR 3.5 x 3.5mm LEDs		
	Customer		CARCLO		
THIRD ANGLE PROJECTION	GENERAL TOLERANCES UNLESS OTHERWISE STATED		Drawn by	Material	Scale
	LINEAR	ANGULAR	BB	SEE NOTES	AS SPEC.
	0 ± 0.25 0.0 ± 0.1 0.00 ± 0.05	0 ± 1° 0.0 ± 0.5° 0.00 ± 0.1°	DIMENSIONS IN mm		
CARCLO technical plastics CONFIDENTIAL: UNAUTHORISED COPYING, DISCUSSION & DISTRIBUTION PROHIBITED			CAD File	60645	Format Size
			Drw. N°	60645	A3
			Part N°	SEE TABLE	