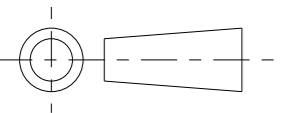


# CUSTOMER DRAWING

©2010 CTP-COIL  
ALL DIMENSIONS IN mm

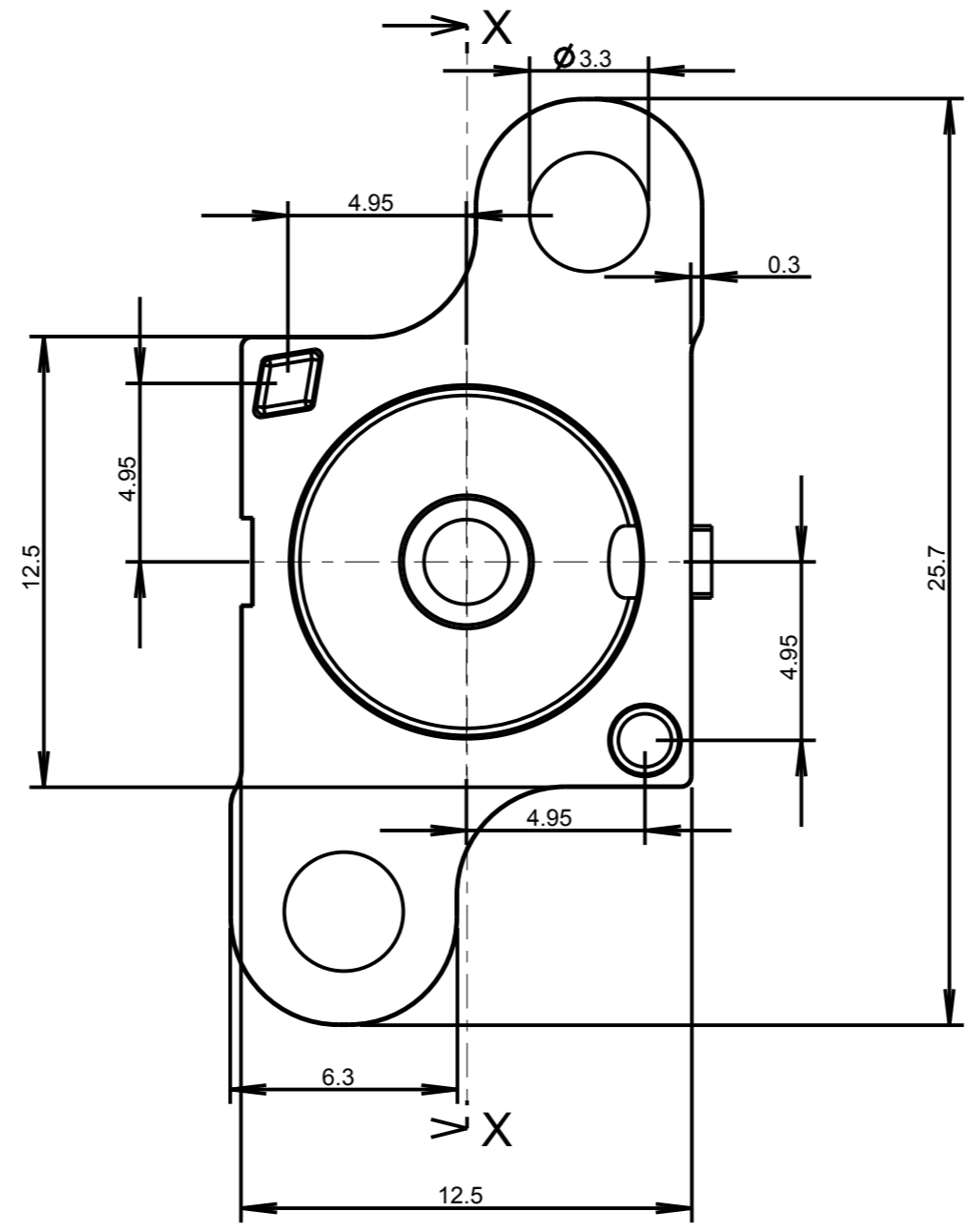
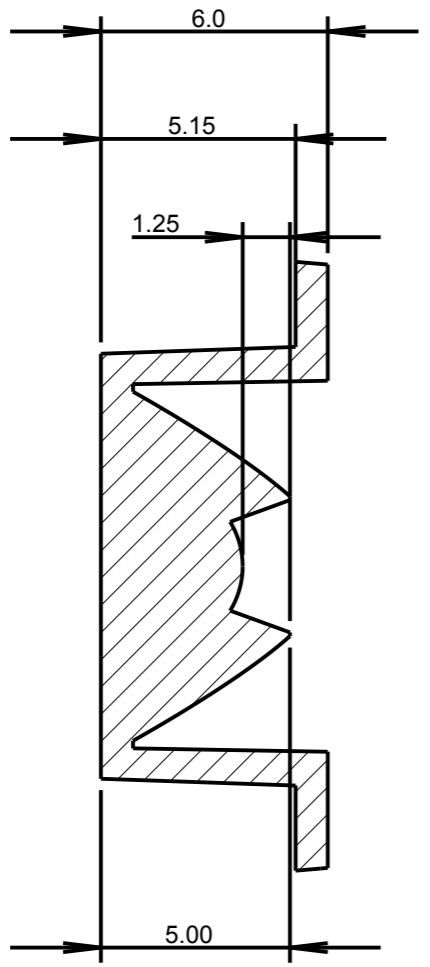
ISS.	DATE	E.C.N.	DESCRIPTION
1	12-Nov-10		FIRST ISSUE
2	23-Mar-11	03/11/1293	ADD RECESS DIMENSION & GENERAL INFO



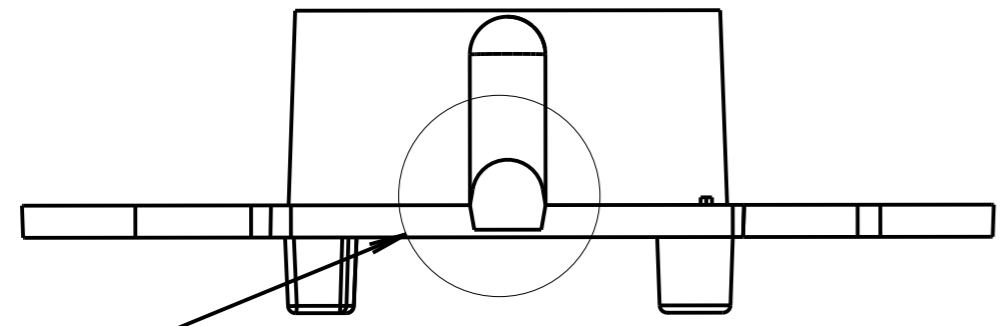
GENERAL VIEW



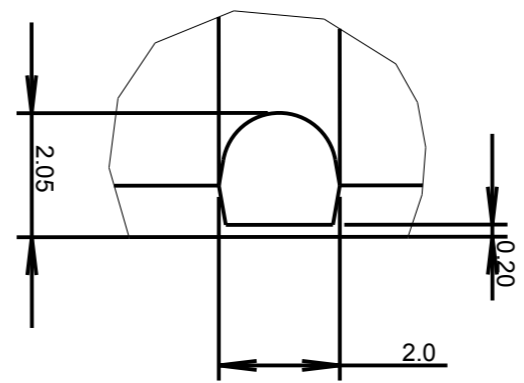
SCALE 1:1



SECTION X-X



SEE DETAIL E



DETAIL E  
SCALE 8:1

NOTES:

1. MATERIAL - UV STABILISED CLEAR POLYCARBONATE
2. INCLUSIONS SPECIFIED TO BS ISO 10110.



CARCLO TECHNICAL PLASTICS (SLOUGH)  
103 BUCKINGHAM AVE, SLOUGH  
SL1 4PF, ENGLAND  
TEL: +44 1753 575011 FAX: +44 1753 811359  
email: design@carclo-optics.com

GENERAL TOLERANCES (UNLESS STATED)

LINEAR	ANGULAR
X +/- 0.25	X +/- 1°
X.X +/- 0.1	X.X +/- 0.5°
X.XX +/- 0.05	X.XX +/- 0.1°

CUSTOMER  
CARCLO

TITLE  
10mm IP66 WIDE FROSTED  
- with Locations Pins & Flange

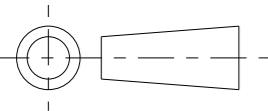
DRAWN BB DATE 12-Nov-10

CHK'D AB DATE 25-Mar-11

APP'D BB DATE 25-Mar-11

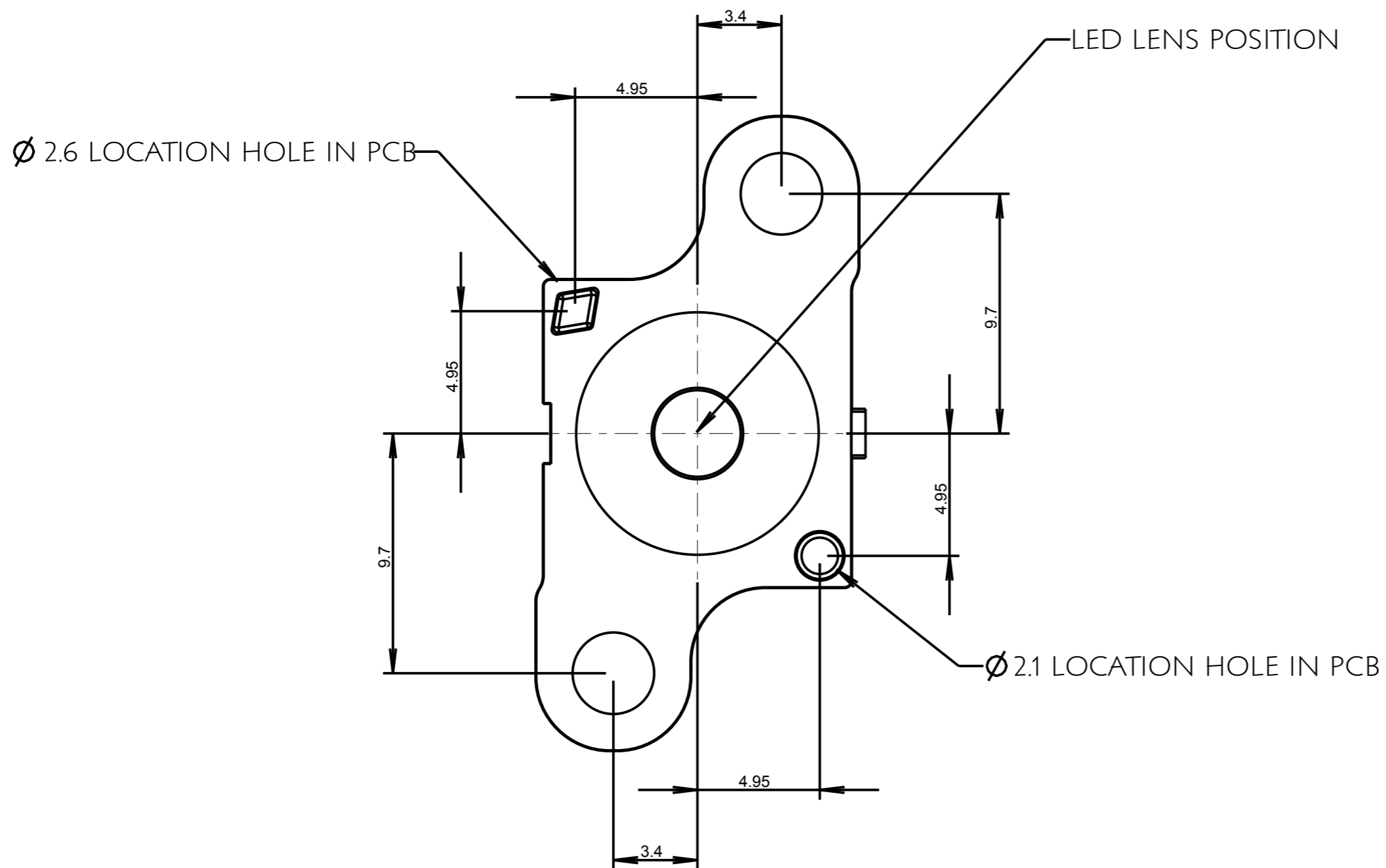
SCALE 5:1 CARCLO PART No. 12085

SIZE A3 CARCLO DRG. No. 60655 SHEET 1 OF 2



©2010 CTP-COIL  
ALL DIMENSIONS IN mm

## PCB GLUE PAD AND ALIGNMENT HOLE LAYOUT DIMENSIONS



ISS.	DATE	E.C.N.	DESCRIPTION
1	12-Nov-10		FIRST ISSUE
2	23-Mar-11	03/11/1293	ADD RECESS DIMENSION & GENRAL INFO



**CARCLO TECHNICAL PLASTICS (SLOUGH)**  
103 BUCKINGHAM AVE, SLOUGH  
SL1 4PF, ENGLAND  
TEL: +44 1753 575011 FAX: +44 1753 811359  
email: design@carclo-optics.com

### GENERAL TOLERANCES (UNLESS STATED)

LINEAR		ANGULAR	
X	+/- 0.25	X	+/- 1°
X.X	+/- 0.1	X.X	+/- 0.5°
X.XX	+/- 0.05	X.XX	+/- 0.1°

CUSTOMER

CARCLO

TITLE

10mm IP66 WIDE FROSTED  
- with Locations Pins & Flange

DRAWN

BB

DATE

12-Nov-10

CHK'D

AB

DATE

25-Mar-11

APP'D

BB

DATE

25-Mar-11

SCALE

5:1

CARCLO PART No.

12085

SIZE

A3

CARCLO DRG. No.

60655

SHEET

2 OF 2