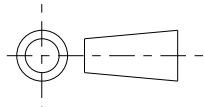

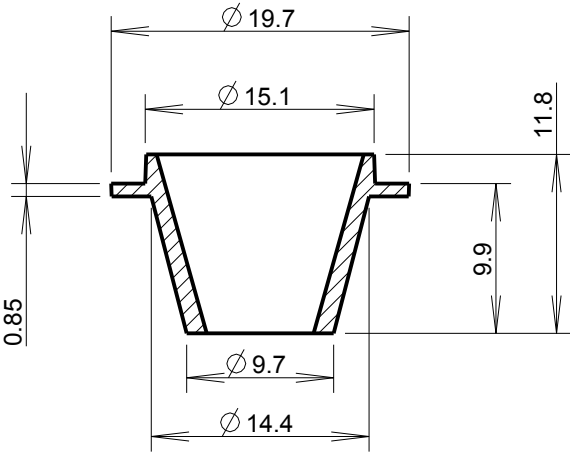

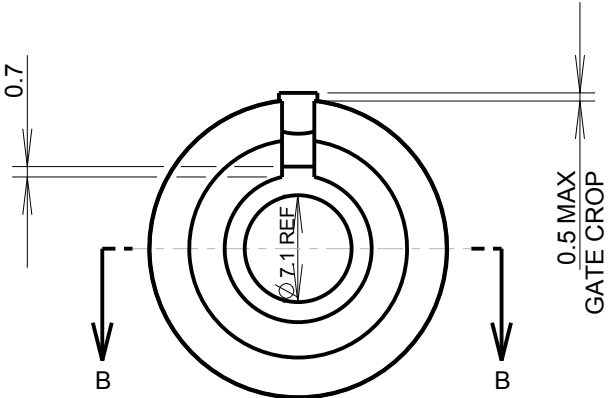


ISS.	DATE	E.C.N.	DESCRIPTION	© 2011 CTP-COIL ALL DIMENSIONS IN mm 	 <p>CARCLO TECHNICAL PLASTICS (SLOUGH) 103 BUCKINGHAM AVE, SLOUGH SL1 4PF, ENGLAND TEL: +44 1753 575011 FAX: +44 1753 811359 e-mail: design@carclo-optics.com}</p>													
2	20-Jul-10	06/10/1274	ADD CURVE PARAMETERS			<p>GENERAL TOLERANCES (UNLESS STATED)</p> <table border="1"> <tr> <td></td> <td>LINEAR</td> <td>ANGULAR</td> </tr> <tr> <td>X</td> <td>+/- 0.25</td> <td>X +/- 1°</td> </tr> <tr> <td>X.X</td> <td>+/- 0.1</td> <td>X.X +/- 0.5°</td> </tr> <tr> <td>X.XX</td> <td>+/- 0.05</td> <td>X.XX +/- 0.1°</td> </tr> </table>		LINEAR	ANGULAR	X	+/- 0.25	X +/- 1°	X.X	+/- 0.1	X.X +/- 0.5°	X.XX	+/- 0.05	X.XX +/- 0.1°
	LINEAR	ANGULAR																
X	+/- 0.25	X +/- 1°																
X.X	+/- 0.1	X.X +/- 0.5°																
X.XX	+/- 0.05	X.XX +/- 0.1°																
2A	28-Sep-11	09/11/1310	ADD PART No. TABLE	<p>CUSTOMER</p> <p style="text-align: center;">CARCLO</p>														
3	15-May-12	05/12/1334	ADD ZONAL PLATING TO DRAWING		<p>TITLE</p> <p style="text-align: center;">60° FWHM Ø20MM REFLECTOR</p>													
CUSTOMER DRAWING						<table border="1"> <tr> <td>DRAWN</td> <td>AJD</td> <td>DATE</td> <td>6-Oct-08</td> </tr> <tr> <td>CHK'D</td> <td>MB</td> <td>DATE</td> <td>20-May-12</td> </tr> <tr> <td>APP'D</td> <td>BB</td> <td>DATE</td> <td>20-May-12</td> </tr> </table>	DRAWN	AJD	DATE	6-Oct-08	CHK'D	MB	DATE	20-May-12	APP'D	BB	DATE	20-May-12
DRAWN	AJD	DATE	6-Oct-08															
CHK'D	MB	DATE	20-May-12															
APP'D	BB	DATE	20-May-12															
<p>SECTION B-B</p> 				<p>SCALE</p> <p style="text-align: center;">2:1</p>														
					<p>CARCLO PART No.</p> <p style="text-align: center;">SEE TABLE</p>													
						<table border="1"> <tr> <td>Part No.</td> <td>Description</td> </tr> <tr> <td>10374</td> <td>Al coating</td> </tr> <tr> <td>12568</td> <td>Pocan (no coating)</td> </tr> <tr> <td>12569</td> <td>No coating (PC base)</td> </tr> </table>	Part No.	Description	10374	Al coating	12568	Pocan (no coating)	12569	No coating (PC base)				
Part No.	Description																	
10374	Al coating																	
12568	Pocan (no coating)																	
12569	No coating (PC base)																	
<p>GENERAL VIEW SCALE 1:1</p>				<table border="1"> <tr> <td>SIZE</td> <td>CARCLO DRG. No.</td> <td>SHEET</td> </tr> <tr> <td>A4</td> <td>60541</td> <td>2 OF 2</td> </tr> </table>	SIZE	CARCLO DRG. No.	SHEET	A4	60541	2 OF 2								
SIZE	CARCLO DRG. No.	SHEET																
A4	60541	2 OF 2																
<p>0.7</p>																		
<p>0.85</p>																		
<p>9.9</p>																		
<p>11.8</p>																		
<p>Ø19.7</p>																		
<p>Ø15.1</p>																		
<p>Ø9.7</p>																		
<p>Ø14.4</p>																		
<p>FOCAL PLANE</p>																		
<p>0.5 MAX GATE CROP</p>																		
<p>Ø11.1 REF</p>																		
<p>B</p>																		
<p>B</p>																		
<p>0.5 MAX GATE CROP</p>																		
<p>0.7</p>																		
<p>0.85</p>																		
<p>9.9</p>																		
<p>11.8</p>																		
<p>Ø19.7</p>																		
<p>Ø15.1</p>																		
<p>Ø9.7</p>																		
<p>Ø14.4</p>																		
<p>FOCAL PLANE</p>																		
<p>0.5 MAX GATE CROP</p>																		
<p>0.7</p>																		
<p>0.85</p>																		
<p>9.9</p>																		
<p>11.8</p>																		
<p>Ø19.7</p>																		
<p>Ø15.1</p>																		
<p>Ø9.7</p>																		
<p>Ø14.4</p>																		
<p>FOCAL PLANE</p>																		
<p>0.5 MAX GATE CROP</p>																		
<p>0.7</p>																		
<p>0.85</p>																		
<p>9.9</p>																		
<p>11.8</p>																		
<p>Ø19.7</p>																		
<p>Ø15.1</p>																		
<p>Ø9.7</p>																		
<p>Ø14.4</p>																		
<p>FOCAL PLANE</p>																		
<p>0.5 MAX GATE CROP</p>																		
<p>0.7</p>																		
<p>0.85</p>																		
<p>9.9</p>																		
<p>11.8</p>																		
<p>Ø19.7</p>																		
<p>Ø15.1</p>																		
<p>Ø9.7</p>																		
<p>Ø14.4</p>																		
<p>FOCAL PLANE</p>																		
<p>0.5 MAX GATE CROP</p>																		
<p>0.7</p>																		
<p>0.85</p>																		
<p>9.9</p>																		
<p>11.8</p>																		
<p>Ø19.7</p>																		
<p>Ø15.1</p>																		
<p>Ø9.7</p>																		
<p>Ø14.4</p>																		
<p>FOCAL PLANE</p>																		
<p>0.5 MAX GATE CROP</p>																		
<p>0.7</p>																		
<p>0.85</p>																		
<p>9.9</p>																		
<p>11.8</p>																		
<p>Ø19.7</p>																		
<p>Ø15.1</p>																		
<p>Ø9.7</p>																		
<p>Ø14.4</p>																		
<p>FOCAL PLANE</p>																		
<p>0.5 MAX GATE CROP</p>																		
<p>0.7</p>																		
<p>0.85</p>																		
<p>9.9</p>																		
<p>11.8</p>																		
<p>Ø19.7</p>																		
<p>Ø15.1</p>																		
<p>Ø9.7</p>																		
<p>Ø14.4</p>																		
<p>FOCAL PLANE</p>																		
<p>0.5 MAX GATE CROP</p>																		
<p>0.7</p>																		
<p>0.85</p>																		
<p>9.9</p>																		
<p>11.8</p>																		
<p>Ø19.7</p>																		
<p>Ø15.1</p>																		
<p>Ø9.7</p>																		
<p>Ø14.4</p>																		
<p>FOCAL PLANE</p>																		
<p>0.5 MAX GATE CROP</p>																		
<p>0.7</p>																		
<p>0.85</p>																		
<p>9.9</p>																		
<p>11.8</p>																		
<p>Ø19.7</p>																		
<p>Ø15.1</p>																		
<p>Ø9.7</p>																		
<p>Ø14.4</p>																		
<p>FOCAL PLANE</p>																		
<p>0.5 MAX GATE CROP</p>																		
<p>0.7</p>																		
<p>0.85</p>																		
<p>9.9</p>																		
<p>11.8</p>																		
<p>Ø19.7</p>																		
<p>Ø15.1</p>																		
<p>Ø9.7</p>																		
<p>Ø14.4</p>																		
<p>FOCAL PLANE</p>																		
<p>0.5 MAX GATE CROP</p>																		
<p>0.7</p>																		
<p>0.85</p>																		
<p>9.9</p>																		
<p>11.8</p>																		
<p>Ø19.7</p>																		
<p>Ø15.1</p>																		
<p>Ø9.7</p>																		
<p>Ø14.4</p>																		
<p>FOCAL PLANE</p>																		
<p>0.5 MAX GATE CROP</p>																		
<p>0.7</p>																		
<p>0.85</p>																		
<p>9.9</p>																		
<p>11.8</p>																		
<p>Ø19.7</p>																		
<p>Ø15.1</p>																		
<p>Ø9.7</p>																		
<p>Ø14.4</p>																		