

# Q80SV Series

*new product*

## FEATURES

### Electrical

- Efficiency up to 90% @110Vin
- Ultra wide input range, 14.4V-170V  
12V-14.4V/1s, 170V-200V/1s transient voltage
- Output OVP/OCP, OTP
- Remote ON/OFF
- Without tantalum capacitor inside module
- 4242VDC input to output reinforced isolation
- Working altitude up to 5000 m



### Safety & Certificate

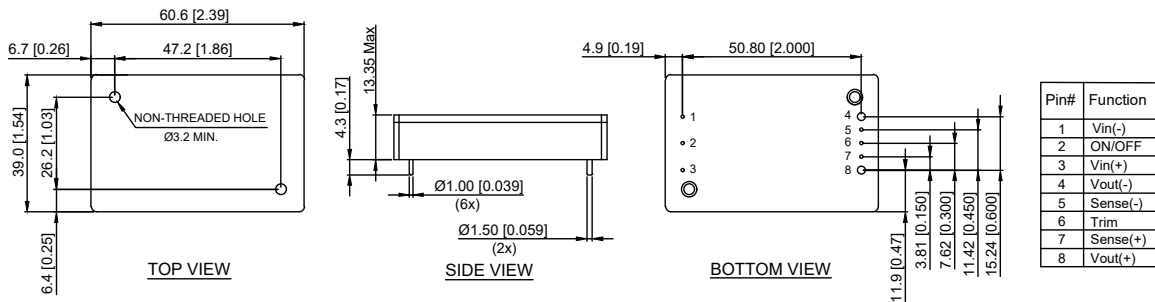
- IEC/EN/UL/CSA 62368-1
- IEC/EN/UL/CSA 60950-1
- Meet EN50155 and EN45545-2



## SPECIFICATIONS

Part Number	Input Voltage	Output Voltage	Vo trim range	Output Current	Output Power	Efficiency	Isolation Voltage	Size (LxWxH)
Q80SV05030	14.4~170V	5V	4~5.5V	30A	150W	88.3%	4242VDC	60.6 x 39 x 12.7 mm
Q80SV12013	14.4~170V	12V	9.6~13.2V	12.5A	150W	90.0%	4242VDC	60.6 x 39 x 12.7 mm
Q80SV15010	14.4~170V	15V	12~16.5V	10A	150W	89.5%	4242VDC	60.6 x 39 x 12.7 mm
Q80SV24006	14.4~170V	24V	19.2~28.3V	6.3A	150W	89.3%	4242VDC	60.6 x 39 x 12.7 mm
Q80SV54003	14.4~170V	54V	43.2~59.4V	2.8A	150W	89.5%	4242VDC	60.6 x 39 x 12.7 mm

## MECHANICAL DRAWING



## PART NUMBERING SYSTEM

Q	80	S	V	120	13	P	R	F	A
Form Factor	Input Voltage	Number of Outputs	Product Series	Output Voltage	Output Current	ON/OFF Logic	Pin Length Pin Type	RoHS	Option Code
Q - 1/4 Brick	80 - 14.4-170V	S - Single	V - Family Name	050 - 5V 120 - 12V 150 - 15V 240 - 24V 540 - 54V	30 - 30A 13 - 12.5A 10 - 10A 06 - 6.3A 03 - 2.8A	N - Negative P - Positive	R - 0.170"	F - RoHS 6/6 (Lead Free)	A - unthreaded mounting hole S - with threaded mounting hole (M3*0.5)

Isolated DC-DC Encapsulated Power Module