

# QA1SV Series

*new product*

## FEATURES

### Electrical

- Efficiency up to 90% @110Vin
- Wide input range, 40V-170V
- 200V/1s transient voltage
- Output OVP/OCV, OTP
- Remote ON/OFF
- Without tantalum capacitor inside module
- 4242VDC input to output reinforced isolation
- Working altitude up to 5000 m



### Safety & Certificate

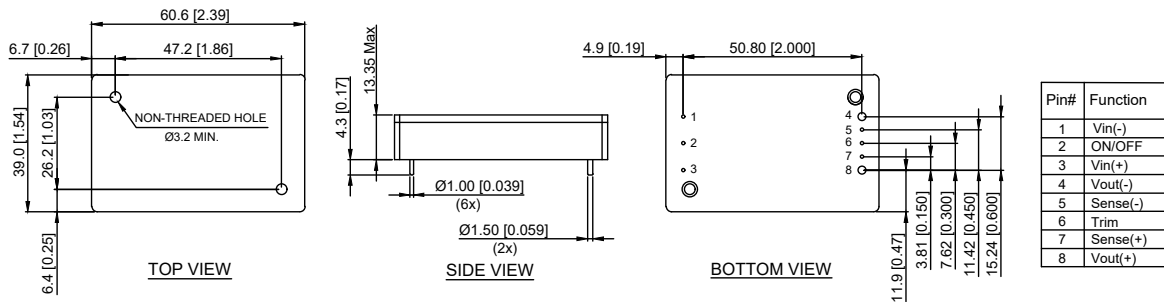
- IEC/EN/UL/CSA 62368-1
- IEC/EN/UL/CSA 60950-1
- Meet EN50155 and EN45545-2



## SPECIFICATIONS

Part Number	Input Voltage	Output Voltage	Vo trim range	Output Current	Output Power	Efficiency	Isolation Voltage	Size (LxWxH)
QA1SV05040	40~170V	5V	4~5.5V	40A	200W	88.5%	4242VDC	60.6x 39 x 12.7 mm
QA1SV12017	40~170V	12V	9.6~13.2V	17A	200W	90.0%	4242VDC	60.6x 39 x 12.7 mm
QA1SV15013	40~170V	15V	12~16.5V	13.5A	200W	89.5%	4242VDC	60.6x 39 x 12.7 mm
QA1SV24008	40~170V	24V	19.2~28.3V	8.5A	200W	89.5%	4242VDC	60.6x 39 x 12.7 mm
QA1SV54004	40~170V	54V	43.2~59.4V	3.7A	200W	89.8%	4242VDC	60.6x 39 x 12.7 mm

## MECHANICAL DRAWING



## PART NUMBERING SYSTEM

Q	A1	S	V	120	13	P	R	F	A
Form Factor	Input Voltage	Number of Outputs	Product Series Name	Output Voltage	Output Current	ON/OFF Logic	Pin Length Pin Type	RoHS	Option Code
Q - 1/4 Brick	A1 - 40-170V	S - Single	V - Family Name	050 - 5V 120 - 12V 150 - 15V 240 - 24V 540 - 54V	40 - 40A 17 - 17A 13 - 13.5A 08 - 8.5A 04 - 3.7A	N - Negative P - Positive	R - 0.170"	F - RoHS 6/6 (Lead Free)	A - unthreaded mounting hole S - with threaded mounting hole (M3*0.5)

Isolated DC-DC Encapsulated Power Module