

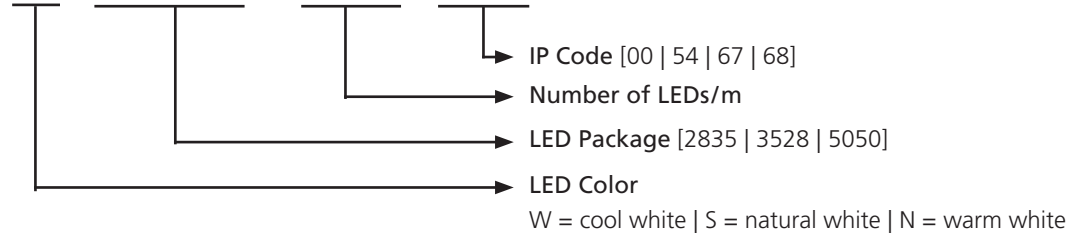
SOPN-Mx211070000

2110 | 24V-700LEDs | M Series



Ordering Code Format

SOPN - M_x YYYY ZZZ AA



PLCC 2110 Lightbar Series IP20 Datasheet



Features :

- Microminiaturization & Super Intensive
- High Color Rendering Index with $R_{a_{min}} \cdot 90$
- Low Power Requirement & Energy Efficient
- Suitable for Restricted Space
- Environmental Friendly,ROHS Compliance

Typical Applications :

- Special Commercial Lighting
- Landscape Lighting
- Museum & Exhibitions Lighting

Specifications :

- Color: Cool White / Neutral White / Warm White



Table of Contents

General Information.....	3
Product Dimensions.....	4
Absolute Maximum Ratings	5
Characteristics	5
Electric-Optical Characteristics (Ta=25°C).....	6
Product Packaging Information.....	7
Precaution for Use.....	8
Environmental Compliance	8
Application Notes.....	8
Revision History	9
About Edison Opto	9



General Information

Introduction

The PLCC 2110 lightbar series is the new product from Edison, which is a strip of lighting module available in varying colors. Its flexible circuit board not only enables novel design thinking with bendable light source, but also offers a wide range of applications with dividable lighting segments. The most distinctive feature of 2110 lightbar is that it is linear lighting, high quality, miniaturized and ultra dense. With the outperforming high color rendering, it is optimized to be used in high-end led mark such as boutique and luxury apparel store.

Ordering Code Format

6
X1
L B R 1
X2
x x
X3
J
X4
E 0
X5
C
X6
x x x
X7
x x
X8

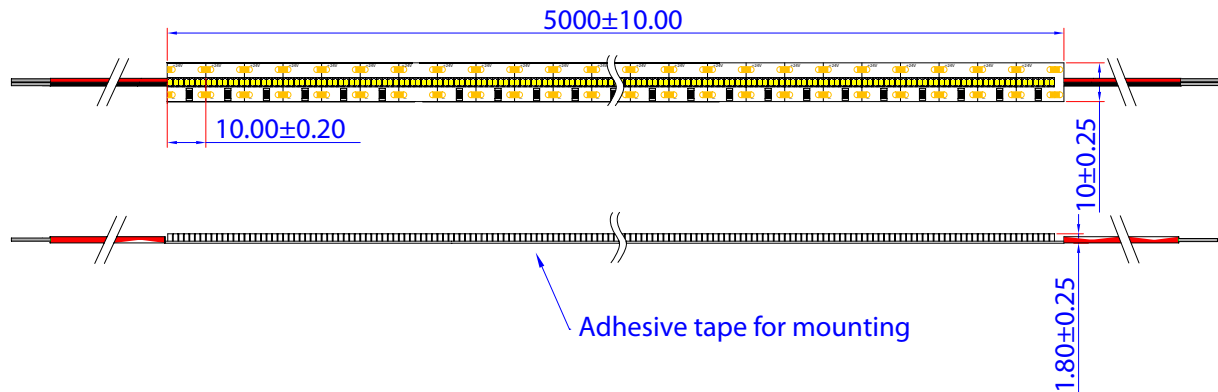
X1		X2		X3		X4		X5	
Item		Series		Emitting Color		Driver		Max Length	
6	Module	LBR1	FPC	CW	Cool White	J	CV 24V	E0	5.0M
				NW	Neutral White				
				WW	Wam White				

X6		X7		X8	
Emitter		Number of LEDs (M)		Serial No.	
C	2110	700	700pcs	xx	--



Product Dimensions

2110-700LEDs/M Series Dimensions (CV 24V IP20)



Notes:

1. All dimensions are in millimeters.
2. Tolerance is ± 0.20 mm



Absolute Maximum Ratings

Parameter	Symbol	Value	Units
Thermal Measurement Point	T_c	+70	°C
Operating Temperature	T_{opr}	-20 ~ +40	°C
Storage Temperature	T_s	-20 ~ +65	°C
Number of FPC Connection	-	5	M

Notes:

1. Proper current derating must be observed to maintain junction temperature below the maximum at all time.
2. LEDs are not designed to be driven in reverse bias.
3. If use under bending condition, bending position should avoid area of resistance, diode or triode and the bend angle couldn't be less than 45° for long time.

Characteristics

Parameter	Symbol	Value	Units
Beam Characteristic	$2\theta_{1/2}$	120	Degree
Waterpro of Level	IP	IP 20	--
CCT	2110	6000	K
		4000	
		3000	
		2700	
Ra		90	--

Notes:

CCT is measured with an accuracy of $\pm 10\%$



Electric-Optical Characteristics (Ta=25°C)

2110/24V-700LEDs/M Series

Order Code	Color	CCT (K/nm)	Input Voltage (CV)	Typ Flux (Lm/M)	Typ Efficiency (Lm/W)	Number of LEDs (M)	Power (W/M)	IP	Ra
6LBR1CWJE0C70011	Cool White	6000K	24	2160	90	700	24	20	90
6LBR1NWJE0C70011	Neutral White	4000K	24	2160	90	700	24	20	90
6LBR1WWJE0C70011	Warm White	3000K	24	2040	85	700	24	20	90
		2700K	24	1920	80	700	24	20	90

Notes:

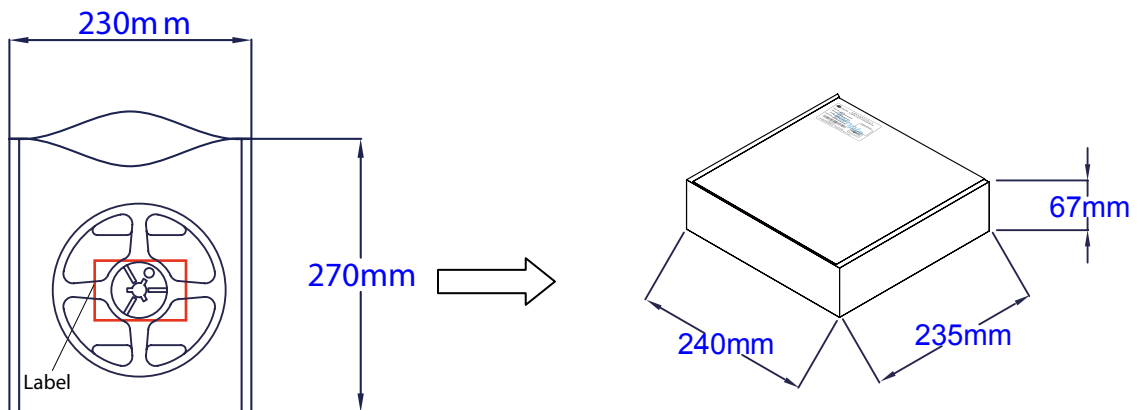
- 1.The maximum and minimum lumen flux are based on $\pm 10\%$ of the typical rate.
- 2.The maximum and minimum inout power are based on $\pm 10\%$ of the typical rate
- 3.CCT is measured with an accuracy of $\pm 10\%$



Product Packaging Information

PLCC Lightbar FPC Material Description

Package Type	Quantity	Dimension
Antistatic bag	1 Reel	270mm x 230mm
Inside box	4 Antistatic bags	240mm x 235mm x 67mm
Outside box	10 Inside boxes	488mm x 364mm x 261mm



EX:

艾笛森光電股份有限公司
EDISON OPTO CORPORATION

Part No. : 6LBR1WWJE0C70011

Color : Warm White(273)

Quantity : 1 Reel(5M)

Lot No. : XXXX

Inspected by:

ROHS

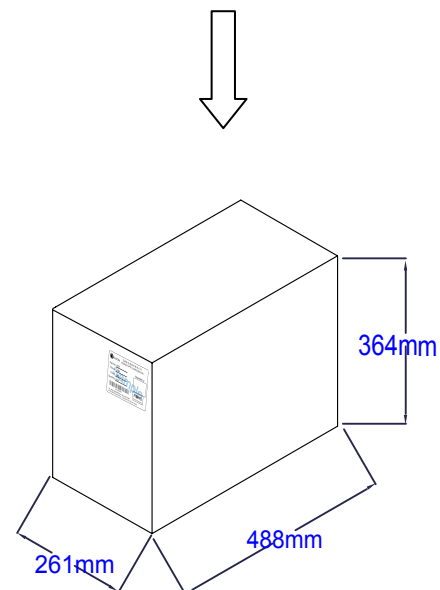
Directive Compliance

A410000005

Tel +86-2-82276996 Fax +86-2-8227-6997
4F No.800 Chung-Cheng ., Chung-Ho City Taipei. Taiwan

Label information

Part NO. : Order code
 Color : Color(Emitter BIN color)
 Quantity : The number of packing
 Lot NO. : Date code





Precaution for Use

1. DO NOT use the products with materials has Sulfur.
2. DO NOT assemble in humid environment or the conditions of containing oxidizing gas such as Cl, H₂S, NH₃, SO₂, NO_X, etc.
3. DO NOT add or change wires while the circuit of Module is active. Long time exposure to sunlight or UV should be avoided.
4. DO NOT press the product; even a slight pressure may damage the product. The environments such as high temperatures, high humidity or direct expose to sunlight should be avoided since the product is sensitive to these conditions.

Environmental Compliance

The PLCC 2110 lightbar FPC series are compliant to the Restriction of Hazardous Substances Directive or RoHS. The restricted materials including lead, mercury cadmium hexavalent chromium, polybrominated biphenyls (PBB) and polybrominated diphenyl ether (PBDE) are not used in lightbar FPC series to provide an environmentally friendly product to the customers.

Application Notes

The PLCC 2110 lightbar series are available in cool white , neutral white and warm white for application such as under-cabinet lighting, cove lighting and festivals, shows and exhibitions decorative lighting. Moreover, additional fine-tuned high color rendering index (CRI) version of cool white , neutral white and warm white all make lightbar the ideal lighting choice for vividly building or decoration products, presenting the products outline.



Revision History

Versions	Description	Release Date
1	Establish order code information	2019/1/10

About Edison Opto

Edison Opto is a leading manufacturer of high power LED and a solution provider experienced in LDMS. LDMS is an integrated program derived from the four essential technologies in LED lighting applications- Thermal Management, Electrical Scheme, Mechanical Refinement, Optical Optimization, to provide customer with various LED components and modules. More Information about the company and our products can be found at www.edison-opto.com

Copyright©2019 Edison Opto. All rights reserved. No part of publication may be reproduced or transmitted in any form or by any means, electronic or mechanical, including photo copy, recording or any other information storage and retrieval system, without prior permission in writing from the publisher. The information in this publication are subject to change without notice.

www.edison-opto.com

For general assistance please contact:
service@edison-opto.com.tw

For technical assistance please contact:
LED.Detective@edison-opto.com.tw