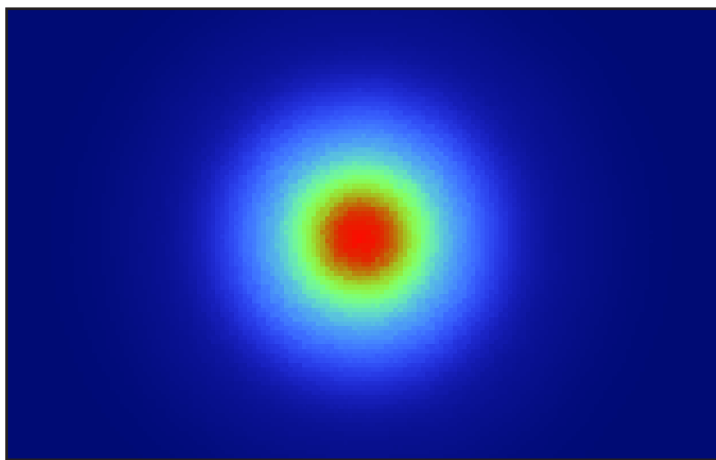
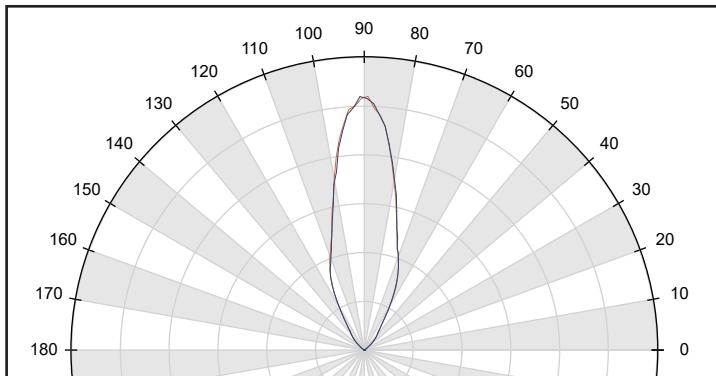
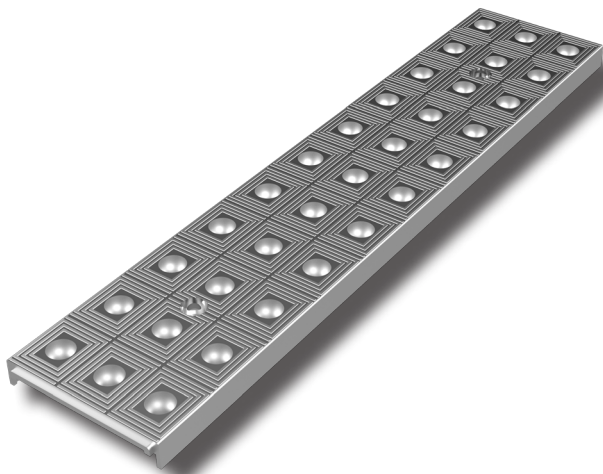


KCLPL2161ME - 30° FWHM



- Material = **Black PMMA + Aluminium Reflective Coating**
- Full angle at 50% from maximum: ~ 30°
- Full angle at 10% from maximum: ~ 70°
- The light spots here represented refer to tests carried out with 33 LEDs, 3030 size, ~ 4686lm@Strip

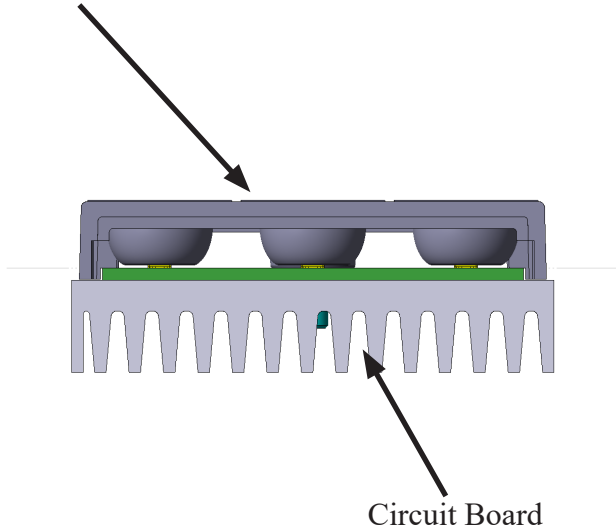
Notes:

- Dimensions in inches into brackets
- For missing dimensions see 3D file
- WHITE surfaces mirror polished
- GREY surfaces embossed 25/27 VDI
- YELLOW surfaces embossed 20/21 VDI
- RED surfaces max area available for gate material
- Gate will be removed by laser plotter; sink mark injection will be present
- Planarity tolerance +/- 0.8 mm
- QC = Quality Control Dimension (QCD)
- Aluminium reflective clear coating with protective clear coat
- The areas represented in GREEN will be protected by metallisation
- In date 19/02/2019:
- Modified aesthetic upper side surface

** Project and design owned by Khatod OPTIKTECHNIK s. r. l. ** The technical solutions adopted in this design are Khatod intellectual property, they cannot be reproduced and transmitted to third parties without our prior written permission. Unauthorized disclosure of confidential proprietary information will be prosecuted by law.		DESIGNER: LM/AP PROJECT: KCLPL2161.kx
DESCRIPTION: Multi Reflector CODE: KCLPL 2161 ME	CHECKED: DP CONTROLLED: DP	DATA: 12/11/2018 19/02/2019
Khatod Via Alessandro, 25 Casasco Silelino 41040 ITALIA WWW.KHATOD.COM	All Dimensions in mm General Tolerances +/- 0.20 mm	HEAT TREATMENT: None MATERIAL: PMMA Black SCALE: 1 : 1 SHEET: 1 of 1

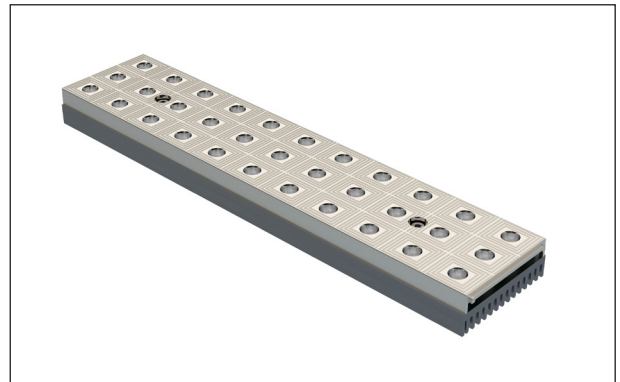
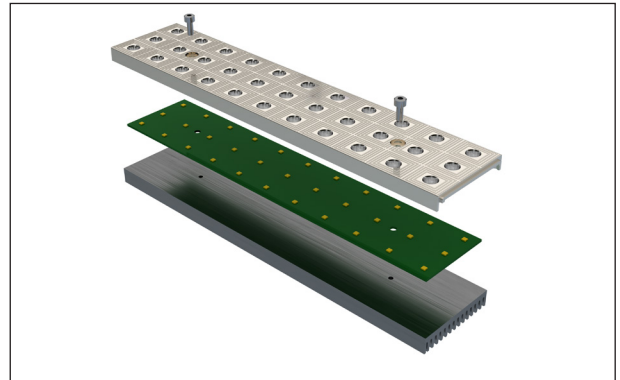
Assembly Specifications

KCLPL2161xx Reflectors

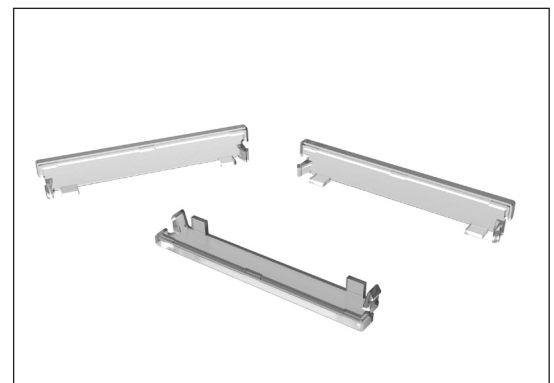
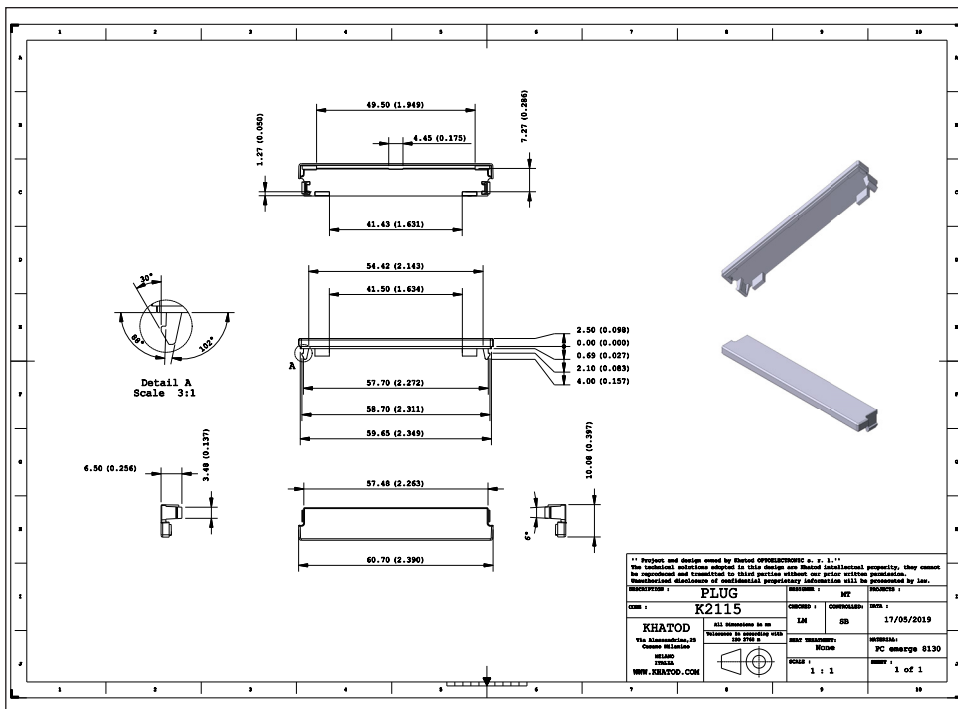


Use TCEI M4 screws

- M4: Maximum tightening torque ~ 0.9 Nm



K2115 - Plastic End Plugs

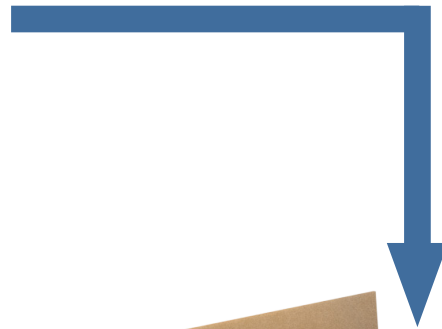


Packaging

Item	Quantity	Total Parts	Size (L*W*H)	G.W.
Multi-pocket plastic bag	10 pieces per multi-pocket plastic bag	10 pcs	110*36 cm	0.7 Kg
Outer Box	15 multi-pocket plastic bags per Outer Box	150 pcs	50*32*38 cm	11.0 Kg



150 Modules / Multi-pocket plastic bags



15 Multi-pocket plastic bags per Outer Box

Materials

Material	Top
PMMA HT Black	-40° ...110°C

Notes:

- Intensity (I) and illuminance (E) data are normalized by 1000 lm
- The optical values shown are the result of optical simulations carried out with LIGHTTOOLS, ASAP and ZEMAX software systems. The optical simulations are carried out on the basis of the typical values provided in the LED manufacturers' official datasheets. The photometric analysis has been carried out on physical samples. On request, by supplying your PCB, we can provide the measurement photometric file.

Use and Maintenance

- DO NOT HANDLE OR INSTALL LENSES WITHOUT WEARING GLOVES, SKIN OILS MAY DAMAGE LENS OR LIGHT TRANSMISSION;
- CLEAN LENSES WITH MILD SOAP AND WATER AND A SOFT CLOTH;
- DO NOT USE ANY COMMERCIAL CLEANING SOLVENTS ON LENSES.

Disclaimer

Please note that flow lines and weld lines on the external surfaces of the lenses are acceptable if the optical performance of the lens is within the specifications.

Should you require further information, please contact Khatod for advice. All lens testing must be subject to identical conditions as Khatod test condition. Khatod Optoelectronic, Milan, Italy, manufactures lenses for LEDs. Any other use of the lens shall void our liability and warranty. The lenses are an inert component to be used in the manufacture of various products. Our warranty and liability are limited only to the manufacture of the lens. You may not modify, copy, distribute reproduce, license or alter the lens and related materials of Khatod. Khatod does not warrant against damages or defects arising out of the use or misuse of the products; against defects or damage arising from improper installation, or against defects in the product or in its components. No warranty of any kind, expressed or implied, is made regarding the safety of the products. The entire risk as to the quality or performance of the product is with the buyer. In no event shall Khatod be liable for any direct, indirect, punitive, incidental, special, consequential damages, or any damages whatsoever arising out of or connected with the use or misuse of the product. Khatod shall not have any obligation with respect to the product or any part thereof, whether based on contract, tort, strict liability or otherwise. Buyer assumes all risks and liability from use of the product. The laws of Milan, Italy govern this product warranty and liability and you hereby consent to the exclusive jurisdiction and venue of courts in Milan, Italy in all disputes arising out of or relating to the use of this product. Production, marketing, distribution, sale of these products as well as their possible modifications and variations are only exclusive right of Khatod Optoelectronic. No company can perform any of these actions without written permission released by Khatod Optoelectronic. The information contained in this document is proprietary of Khatod Optoelectronic and may change without notice.

REPRODUCTION PROHIBITED.