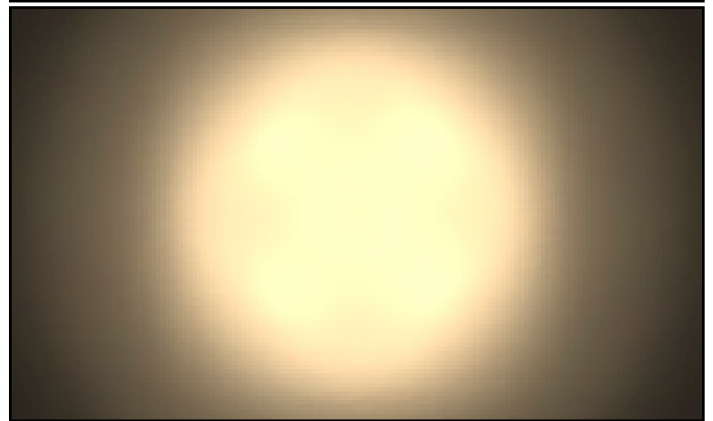
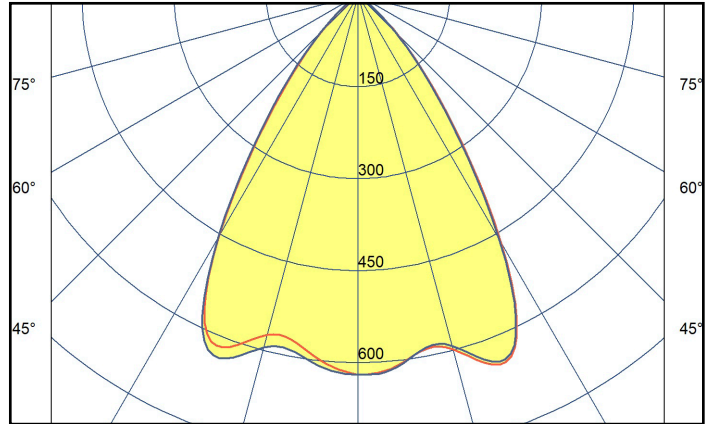


PLL2061EW02KH - 60° FWHM



- Material = PMMA Clear
- Full angle C0-C180 at 50% from maximum: ~ 60°
- Full angle C0-C180 at 10% from maximum: ~ 85°
- The light spots here represented refer to tests carried out with 33 ½ Watt LEDs, 2.8x3.5mm size, ~ 2160lm

CONFIDENTIAL

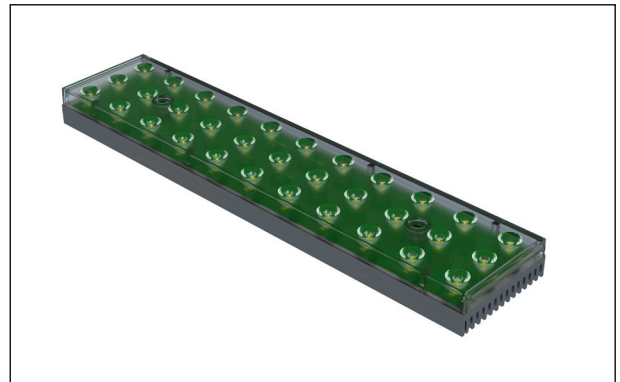
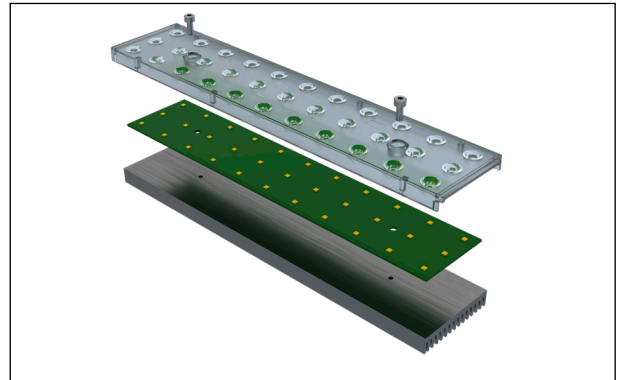
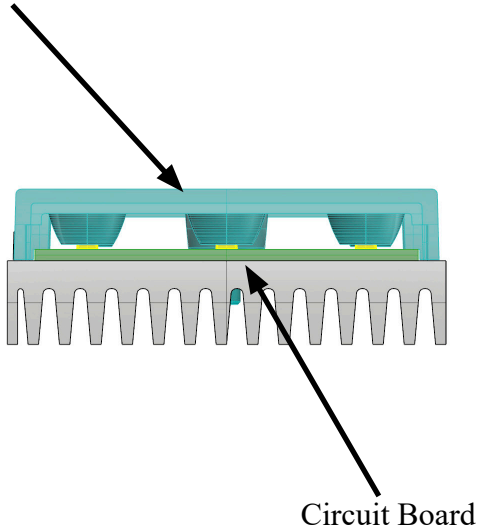
Project and design owned by Khatod OPTOELECTRONIC s. r. l.
The technical solutions adopted in this design are Khatod intellectual property, they cannot be reproduced and transmitted to third parties without our prior written permission. Unauthorized disclosure of confidential proprietary information will be prosecuted by law.

DESCRIPTION : Lens Array	DESIGNER : LM/LS	PROJECT : PLL2061KH_KH
CODE : PLL 2061 EW 02 KH	CHECKED : LS	DATE : 19/06/2018
KHATOD VIA Alessandro, 25 Cusano Milanese Milano 20133 WWW.KHATOD.COM	All Dimensions in mm General Tolerance +/- 0.30 mm	SCALE : 1 : 1
	HEAT TREATMENT : None	MATERIAL : PMMA
		SHEET : 1 of 1

Note:
 - Dimensions in inches into brackets
 - For missing dimensions see 3D file
 WHITE surfaces mirror polished
 GREY surfaces embossed 29 VDI
 RED surface available area for gate material
 Sink mark injection will be present
 - Planarity tolerance +/- 0.80 mm
 © = Quality Control Dimension (QCD)

Assembly Specifications

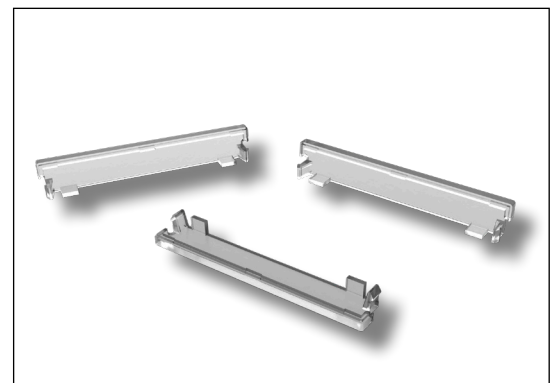
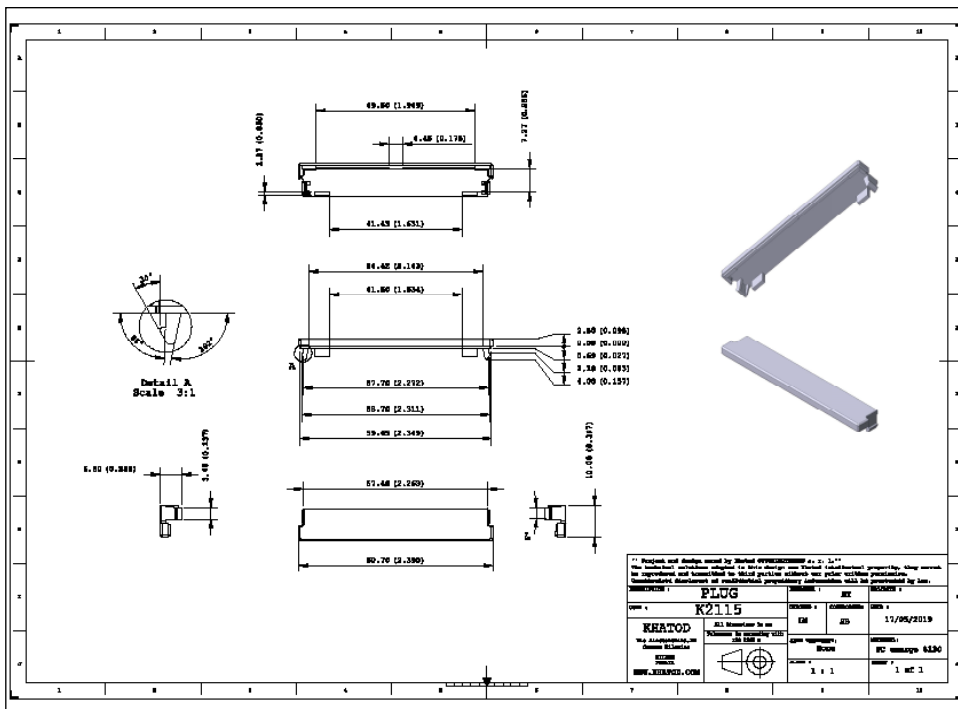
PLL2061xx02KH Lenses



Use TCEI M4 screws

- M4: Maximum tightening torque ~ 0.9 Nm

K2115 - Plastic end plugs



Packaging

Item	Quantity	Total Parts	Size (L*W*H)	G.W.
Multi-pocket plastic bag	20 pieces per multi-pocket plastic bag	20 pcs	110*40 cm	0.8 Kg
Outer Box	9 multi-pocket plastic bags per Outer Box	180 pcs	50*32*38 cm	14.5 Kg



180 Lenses / Multi-pocket plastic bags



9 Multi-pocket plastic bags per Outer Box

Materials

Material	Top
PMMA 8N	-40°90°C
For further information please visit Evonik website	

Notes:

- Intensity (I) and illuminance (E) data are normalized by 1000 lm
- The optical values shown are the result of optical simulations carried out with LIGHTTOOLS, ASAP and ZEMAX software systems. The optical simulations are carried out on the basis of the typical values provided in the LED manufacturers' official datasheets. The photometric analysis has been carried out on physical samples. On request, by supplying your PCB, we can provide the measurement photometric file.

Use and Maintenance

- DO NOT HANDLE OR INSTALL LENSES WITHOUT WEARING GLOVES, SKIN OILS MAY DAMAGE LENS OR LIGHT TRANSMISSION;
- CLEAN LENSES WITH MILD SOAP AND WATER AND A SOFT CLOTH;
- DO NOT USE ANY COMMERCIAL CLEANING SOLVENTS ON LENSES.

Disclaimer

Please note that flow lines and weld lines on the external surfaces of the lenses are acceptable if the optical performance of the lens is within the specifications.

Should you require further information, please contact Khatod for advice. All lens testing must be subject to identical conditions as Khatod test condition. Khatod Optoelectronic, Milan, Italy, manufactures lenses for LEDs. Any other use of the lens shall void our liability and warranty. The lenses are an inert component to be used in the manufacture of various products. Our warranty and liability are limited only to the manufacture of the lens. You may not modify, copy, distribute reproduce, license or alter the lens and related materials of Khatod. Khatod does not warrant against damages or defects arising out of the use or misuse of the products; against defects or damage arising from improper installation, or against defects in the product or in its components. No warranty of any kind, expressed or implied, is made regarding the safety of the products. The entire risk as to the quality or performance of the product is with the buyer. In no event shall Khatod be liable for any direct, indirect, punitive, incidental, special, consequential damages, or any damages whatsoever arising out of or connected with the use or misuse of the product. Khatod shall not have any obligation with respect to the product or any part thereof, whether based on contract, tort, strict liability or otherwise. Buyer assumes all risks and liability from use of the product. The laws of Milan, Italy govern this product warranty and liability and you hereby consent to the exclusive jurisdiction and venue of courts in Milan, Italy in all disputes arising out of or relating to the use of this product. Production, marketing, distribution, sale of these products as well as their possible modifications and variations are only exclusive right of Khatod Optoelectronic. No company can perform any of these actions without written permission released by Khatod Optoelectronic. The information contained in this document is proprietary of Khatod Optoelectronic and may change without notice.

REPRODUCTION PROHIBITED.