

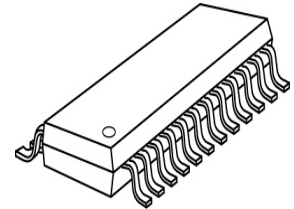


## PWM-Embedded 3x4-Channel Constant-Current Sink Driver with Error Detection for LED Strips

### Features

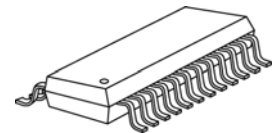
- Supply voltage
  - 6V~24V by internal LDO
  - 3.3V/5V direct input
- 3x4-channel constant-current sink driver for LED strips
  - Constant current range:  
3~45mA @  $V_{DD}=6 \sim 24V$  or  $V_{DD}=V_{CA}=5V$   
3~30mA @  $V_{DD}=V_{CA}=3.3V$
  - 3 groups of current gain
  - Sustaining voltage at output channels: 28V (max.)
- Embedded 16-bit PWM generator
  - Gray scale clock generated by the embedded oscillator
  - 16-bit S-PWM patented technology
- Reliable data transmission
  - Daisy-chain topology
  - Two-wire transmission interface
  - Phase-inversed output clock
  - Built-in buffer for long distance transmission
- Error detection
  - LED open
  - LED short
  - CKI/SDI disconnection
  - Bi-directional transmission to read back error status
- RoHS-compliant packages
  - SSOP-24
  - TSSOP-24
  - QFN-24

#### Shrink SOP



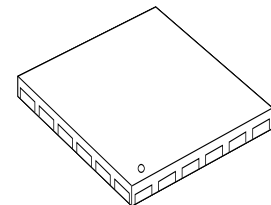
GP: SSOP24L-150-0.64

#### Thin Shrink SOP



GTS: TSSOP24L-173-0.65

#### Quad Flat No-Lead



GFN: QFN24L-4\*4-0.5

### Application

- LED strips
- Mesh display
- Architectural lighting

## Product Description

MBI6034 is a 3x4-channel, constant-current, PWM-embedded sink driver for LED strips. MBI6034 provides constant current ranging from 3mA to 45mA for each output channel and are adjustable through only single external resistor and corresponding current gain settings. Besides, MBI6034 supports 6~24V wide range power systems and sustains 28V at output channels.

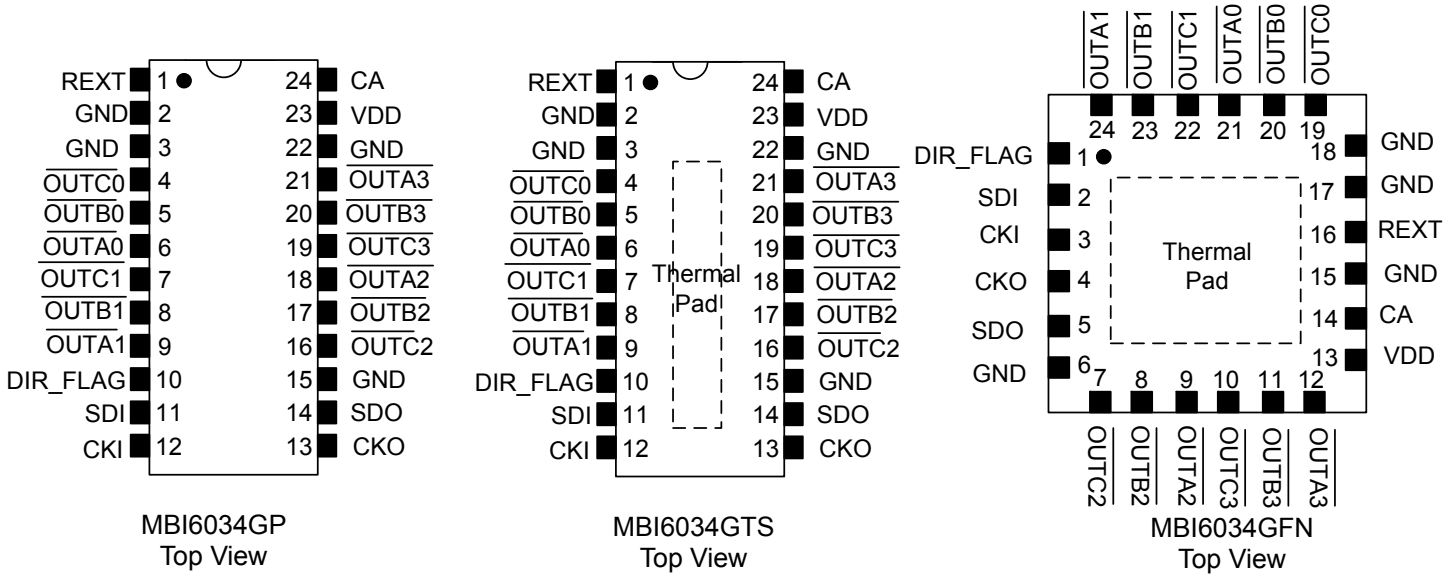
With Scrambled-PWM (S-PWM) technology, MBI6034 enhances pulse width modulation by scrambling the “on” time into several “on” periods to increase visual refresh rate at the same gray scale performance. Besides, the gray scale clock (GCLK) is generated by the embedded oscillator. Moreover, MBI6034 provides 16-bit gray scale which provides 65,536 gray scales for each LED to enrich the color.

3 independent 7-bit current gain settings are built-in MBI6034, so the user can set independent output current for R/G/B LED by a single current set resistor and current gain instead of 3 current set resistors.

MBI6034 can detect faults of LED open, short or the wire disconnection including SDI and CLK, and an innovative bi-directional transmission realizes a cost saving fault report read back without additional wires from the driver IC to the controller.

In addition, MBI6034 features a two-wire transmission interface to make cluster-to-cluster connection easier. To improve the transmission quality, MBI6034 provides phase-inversed output clock to eliminate the accumulation of signal pulse width distortion. MBI6034 adopts manual-synchronization to maintain the synchronization of image frames between ICs.

Pin Configuration

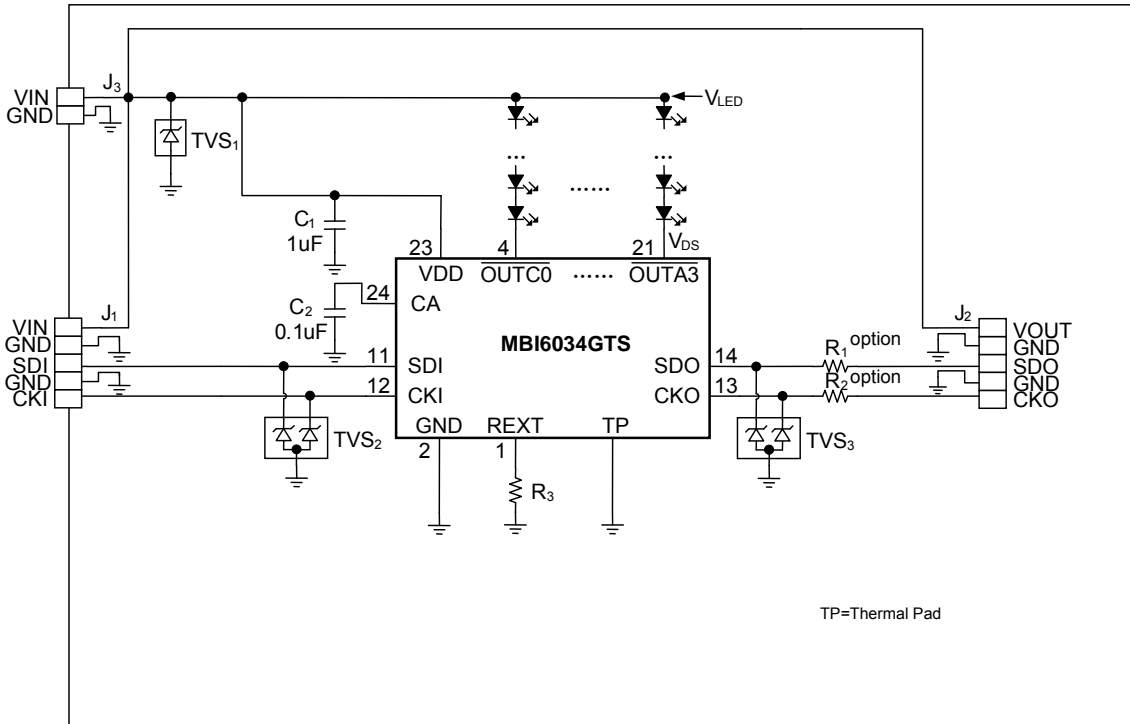


Terminal Description

Pin			Names	Attribute	Description and function
GP	GTS*	GFN*			
1	1	16	REXT	O	Input terminals for setting output current by connecting to an external resistor
2, 3, 15, 22	2, 3, 15, 22	6, 15, 17, 18	GND	P	Ground terminal
4, 5, 6	4, 5, 6	19, 20, 21	OUTA0B0,C0	O	Output terminals for constant-current output
7, 8, 9	7, 8, 9	22, 23, 24	OUTA1B1,C1	O	Output terminals for constant-current output
10	10	1	DIR_FLAG	O	Transmission direction flag High -> Forward transmission (default) Low -> Reverse transmission
11	11	2	SDI	I	Input terminal for serial data input
12	12	3	CKI	I	Input terminal for clock input
13	13	4	CKO	O	Output terminal for clock output
14	14	5	SDO	O	Output terminal for serial data input
16, 17, 18	16, 17, 18	10, 11, 12	OUTA2B2,C2	O	Output terminals for constant-current output
19, 20, 21	19, 20, 21	7, 8, 9	OUTA3B3,C3	O	Output terminals for constant-current output
23	23	13	VDD	P	Input voltage, 3.3V/5V/6~24V
24	24	14	VCA	O	Connecting a capacitor to GND to enhance the stability of CA

\*The desired thermal conductivity will be improved on condition that a heat-conducting copper foil on PCB is soldered with thermal pad.

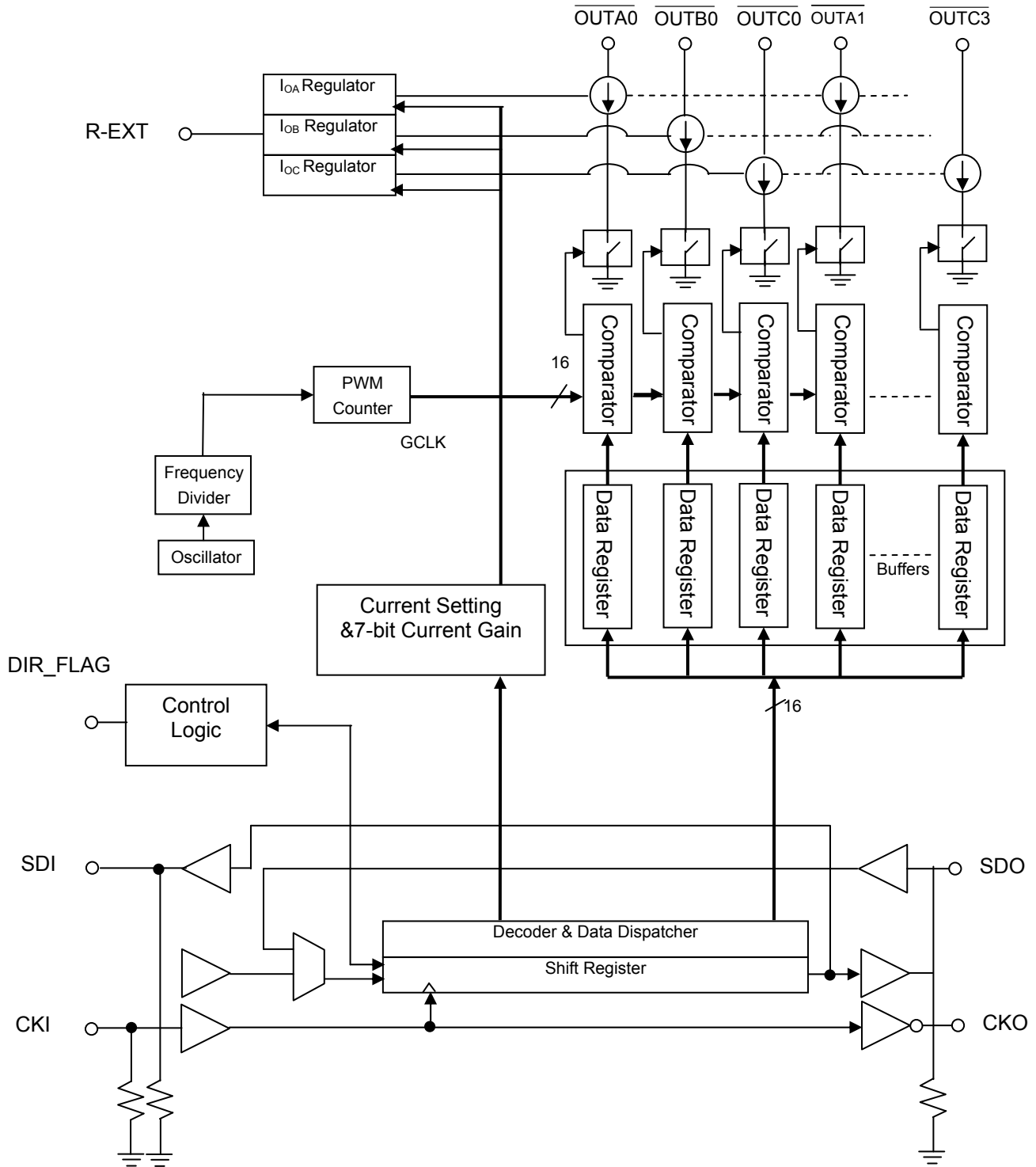
Typical Application Circuit



Note:

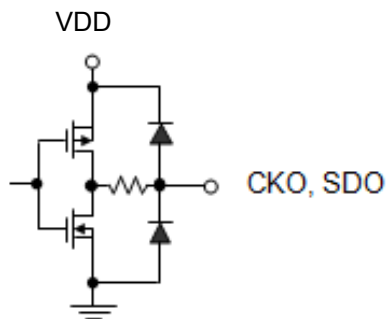
1. TVS<sub>1</sub>~TVS<sub>3</sub> are Transient Voltage Suppressor (TVS).
2. C<sub>1</sub>~C<sub>2</sub> are required. The values of the C<sub>1</sub>~C<sub>2</sub> are reference only. Tantalum capacitors and Ceramic capacitors are recommended.
3. For hot plug, system grounding, connector design, external ESD protection, or detailed circuit information, please refer to the **“MBI6034 Application Note”** for detailed information.

Block Diagram

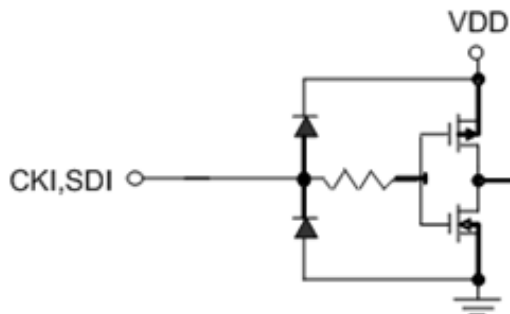


Equivalent Circuits of Inputs and Outputs

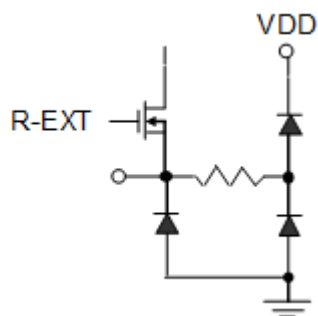
CKO, SDO terminals



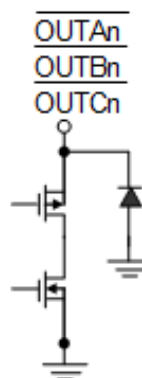
CKI, SDI terminals



REXT terminals



OUTAn, Bn, Cn terminal



Maximum Rating

Characteristic		Symbol	Rating	Unit
Supply Voltage		$V_{DD}$	0~28	V
LDO Output Voltage		$V_{CA}$	0~7	V
Sustaining Voltage at CKI, SDI Pins		$V_{IN}$	-0.4~ $V_{CA}+0.4$	V
Sustaining Voltage at CKO, SDO, DIR_FLAG Pins		$V_{OUT}$	-0.4~ $V_{CA} +0.4$	V
Sustaining Voltage at $\overline{OUTn}$ Pins		$V_{DS}$	-0.5~+28	V
Output Current per Output Channel		$I_{OUT}$	+50	mA
GND Terminal Current		$I_{GND}$	630	mA
Heat dissipation (On 4-Layer PCB, $T_a=25^\circ\text{C}$ )*	GP	$P_D$	1.76	W
	GTS	$P_D$	2.14	W
	GFN	$P_D$	3.19	W
Thermal Resistance (By simulation, on 4-Layer PCB)*	GP	$R_{th(j-a)}$	70.9	$^\circ\text{C/W}$
	GTS	$R_{th(j-a)}$	58.45	$^\circ\text{C/W}$
	GFN	$R_{th(j-a)}$	39.15	$^\circ\text{C/W}$
Junction Temperature		$T_{j,max}$	150**	$^\circ\text{C}$
Operating Ambient Temperature		$T_{opr}$	-40~+85	$^\circ\text{C}$
Storage Temperature		$T_{stg}$	-55~+150	$^\circ\text{C}$
ESD Rating	Human Body Mode (MIL-STD-883G Method 3015.7)	HBM	Class 2 (2000V to 7999V)	-
	Machine Mode (JEDEC EIA/JESD22-A115,)	MM	Class M3 (200V to 399V)	-

\*The PCB size is 76.2mm\*114.3mm in simulation. Please refer to JEDEC JESD51.

\*\* Operation at the maximum rating for extended periods may reduce the device reliability; therefore, the suggested junction temperature of the device is under 125 $^\circ\text{C}$ .

Note: The performance of thermal dissipation is strongly related to the size of thermal pad, thickness and layer numbers of the PCB. The empirical thermal resistance may be different from simulative value. Users should plan for expected thermal dissipation performance by selecting package and arranging layout of the PCB to maximize the capability.

Electrical Characteristics

( $V_{DD}=6.0\sim 24.0V$  or  $V_{DD}=V_{CA}=5V$ ,  $T_a=25^\circ C$ )

Characteristics	Symbol	Condition	Min.	Typ.	Max.	Unit	
Supply Voltage	$V_{DD}$	-	6	-	24	V	
		$V_{DD}=V_{CA}$	4.5	5	5.5	V	
Sustaining Voltage at OUT Ports	$V_{DS}$	$\overline{OUTAn} \sim \overline{OUTCn} = \text{Off}$	-	-	28	V	
Output Current	$I_{OUT}$	Refer to "Test Circuit for Electrical Characteristics"	5	-	45	mA	
Driving Current 1	$I_{OH}$	CKO, SDO at $V_{OH}=V_{CA}-0.2V$	1.5	2.5	4.5	mA	
	$I_{OL}$	CKO, SDO at $V_{OH}=0.2V$	1.0	2.0	4.0	mA	
Driving Current 2	$I_{OH}$	DIR_FLAG at $V_{OH}=V_{CA}-0.2V$	0.3	0.6	0.9	mA	
	$I_{OL}$	DIR_FLAG at $V_{OH}=0.2V$	0.8	1.5	2.2	mA	
Output Leakage Current	$I_{OUT}$	$V_{DS}=28.0V$ , $\overline{OUTAn} \sim \overline{OUTCn} = \text{Off}$	-	-	1.0	$\mu A$	
Current Skew (Channel)	$dl_{OUT1}$	$I_{OUT}=20mA$ $V_{DS}=1.0V$   $R_{ext}=680\Omega$	-	$\pm 1.5$	$\pm 3.0$	%	
Current Skew (IC)	$dl_{OUT2}$	$I_{OUT}=20mA$ $V_{DS}=1.0V$   $R_{ext}=680\Omega$	-	$\pm 1.5$	$\pm 6.0$	%	
Output Current vs. Output Voltage Regulation*	%/d $V_{DS}$	$V_{DS}$ within 1.0V and 3.0V	-	$\pm 0.1$	$\pm 0.5$	%/V	
Output Current vs. Supply Voltage Regulation*	%/d $V_{DD}$	$V_{DD}$ within 6V and 24V	-	$\pm 1.0$	$\pm 2.0$	%/V	
Input Voltage of CKI and SDI Pins	"H" level	$V_{IH}$	-	2.0	-	$V_{CA}$	V
	"L" level	$V_{IL}$	-	GND	-	0.8	V
Output Voltage of CKO and SDO Pins	"H" level	$V_{OH}$	$I_{OH}=+2.0mA$	$V_{CA}-0.2$	-	-	V
	"L" level	$V_{OL}$	$I_{OL}=-2.0mA$	-	-	0.2	V
Voltage at R-EXT	$V_{REXT}$	$\overline{OUTAn} \sim \overline{OUTCn} = \text{On}$	0.58	0.617	0.64	V	
Knee Voltage*	$V_{Knee}$	$R_{ext}=467\Omega$ at $I_{OUT}=30mA$	-	0.75	0.8	V	
Supply Current**	"Off"	$I_{DD}(\text{off})$	All channel off, REXT open	2.0	3.0	4.5	mA
			$R_{ext}=680\Omega$ , CKI, SDI=Low, CKO, SDO=NC, $\overline{OUTAn} \sim \overline{OUTCn} = \text{Off}$	6.0	8.0	10	
	"On"	$I_{DD}(\text{on})$	$R_{ext}=680\Omega$ , CKI, SDI=Low, CKO, SDO=NC, $\overline{OUTAn} \sim \overline{OUTCn} = \text{On}$	7.0	9.0	11	
			$R_{ext}=680\Omega$ , CKI=10MHz, CKO, SDO=NC, $\overline{OUTAn} \sim \overline{OUTCn} = \text{On}$	15	18	21	

\*One channel turns on.

\*\* The supply current may vary with the loading conditions.



Electrical Characteristics ( $V_{DD}=V_{CA}=3.3V$ ,  $T_a=25^{\circ}C$ )

Characteristics	Symbol	Condition	Min.	Typ.	Max.	Unit	
Supply Voltage	$V_{DD}$	$V_{DD}=V_{CA}$	3.0		3.6	V	
Sustaining Voltage at OUT Ports	$V_{DS}$	$\overline{OUTAn} \sim \overline{OUTCn} = \text{Off}$	-	-	28.0	V	
Output Current	$I_{OUT}$	Refer to "Test Circuit for Electrical Characteristics"	3	-	30	mA	
Driving Current 1	$I_{OH}$	CKO, SDO at $V_{OH}=V_{CA}-0.2V$	1.5	2.5	4.5	mA	
	$I_{OL}$	CKO, SDO at $V_{OH}=0.2V$	1.0	2.0	4.0	mA	
Driving Current 2	$I_{OH}$	DIR_FLAG at $V_{OH}=V_{CA}-0.2V$	0.3	0.6	0.9	mA	
	$I_{OL}$	DIR_FLAG at $V_{OH}=0.2V$	0.8	1.5	2.2	mA	
Output Leakage Current	$I_{OUT}$	$V_{DS}=28.0V$ , $\overline{OUTAn} \sim \overline{OUTCn} = \text{Off}$	-	-	1.0	$\mu A$	
Current Skew (Channel)	$dI_{OUT1}$	$I_{OUT}=20mA$ $V_{DS}=1.0V$   $R_{ext}=680\Omega$	-	$\pm 1.5$	$\pm 3.0$	%	
Current Skew (IC)	$dI_{OUT2}$	$I_{OUT}=20mA$ $V_{DS}=1.0V$   $R_{ext}=680\Omega$	-	$\pm 1.5$	$\pm 6.0$	%	
Output Current vs. Output Voltage Regulation*	%/d $V_{DS}$	$V_{DS}$ within 1.0V and 3.0V	-	$\pm 0.1$	$\pm 0.5$	%/V	
Output Current vs. Supply Voltage Regulation*	%/d $V_{DD}$	$V_{DD}$ within 3.0V and 3.6V	-	$\pm 1.0$	$\pm 2.0$	%/V	
Input Voltage of CKI and SDI Pins	"H" level	$V_{IH}$	-	2.0	$V_{CA}$	V	
	"L" level	$V_{IL}$	-	GND	0.8	V	
Output Voltage of CKO and SDO Pins	"H" level	$V_{OH}$	$I_{OH}=+2.0mA$	$V_{CA}-0.2$	-	V	
	"L" level	$V_{OL}$	$I_{OL}=-2.0mA$	-	0.2	V	
Voltage at R-EXTA,B,C Pins	$V_{REXT}$	$\overline{OUTAn} \sim \overline{OUTCn} = \text{On}$	0.58	0.617	0.64	V	
Knee Voltage*	$V_{Knee}$	$R_{ext}=467\Omega$ at $I_{OUT}=30mA$		0.80	0.85	V	
Supply Current**	"Off"	$I_{DD}(\text{off})$	All channel off ,REXT open	2.0	3.0	4.5	mA
			$R_{ext}=360\Omega$ , CKI,SDI=Low, CKO, SDO= NC, $\overline{OUTAn} \sim \overline{OUTCn} = \text{Off}$	5.0	7.0	9.0	
	"On"	$I_{DD}(\text{on})$	$R_{ext}=680\Omega$ , CKI,SDI=Low, CKO, SDO=NC, $\overline{OUTAn} \sim \overline{OUTCn} = \text{On}$	6.0	8.0	10.0	
			$R_{ext}=680\Omega$ , CKI=10MHz, CKO, SDO=NC, $\overline{OUTAn} \sim \overline{OUTCn} = \text{On}$	14.0	17.0	20.0	

\*One channel turns on.

\*\*The supply current may vary with the loading conditions.

Switching Characteristics

( $V_{DD}=6.0\sim 24.0V$ ;  $V_{CA}=V_{DD}=5V$ ,  $T_a=25^\circ C$ )

Characteristic		Symbol	Condition	Min.	Typ.	Max.	Unit
Propagation delay time ("H" to "L" or "L" to "H")	CKI↑-CKO↓	$t_{P1}$	$R_{ext}=680\Omega$ $R_L=200\Omega$	11	16	21	ns
	CKO↓-SDO	$t_{P2}$		15	25	35	ns
	CKO↓-SDI	$t_{P5}$		15	25	35	ns
	CKO↑-DIR_FLAG	$t_{P6}$		5	15	25	ns
	GCLK↑- $\overline{OUTA0}$ , $\overline{OUTA1}$ , $\overline{OUTA2}$ , $\overline{OUTA3}$ ↓↑	$t_{P7}$		32	40	48	ns
	GCLK↑- $\overline{OUTB0}$ , $\overline{OUTB1}$ , $\overline{OUTB2}$ , $\overline{OUTB3}$ ↓↑	$t_{P8}$		40	48	56	ns
	GCLK↑- $\overline{OUTC0}$ , $\overline{OUTC1}$ , $\overline{OUTC2}$ , $\overline{OUTC3}$ ↓↑	$t_{P9}$		48	56	64	ns
	SDI(n+1) – SDO(n)	$t_{P3}$	Wire delay and IC internal delay	wd*	wd*	wd*	ns
	CKI(n) – CKI(n+1)	$t_{P4}$	Wire delay and IC internal delay	$t_{P1}+$ wd*	$t_{P1}+$ wd*	$t_{P1}+$ wd*	ns
Rise Time	CKO/SDO/SDI	$t_{CR}$	$R_{ext}=680\Omega$ $R_L=200\Omega$	2	5	8	ns
	$\overline{OUTA} \sim \overline{OUTC}$	$t_{OR1}$		20	30	40	ns
Fall Time	CKO/SDO/SDI	$t_{CF}$		2	5	8	ns
	$\overline{OUTA} \sim \overline{OUTC}$	$t_{OF1}$		20	30	40	ns
Hold Time Setup Time	SDI-CKI↓	$t_{H(D)}$		8	-	-	ns
	CKI↓-SDI	$t_{S(D)}$	8	-	-	ns	
Pulse Width	CKI(WM)	$t_{W(WM)}$	Pulse width of write mode	15	-	-	ns
	CKI(RM)	$t_{W(RM)}$	Pulse width of read mode	50	-	-	ns
Frequency	CKI(WM)	$F_{CKI}$	Flat(AWG26) 50cm distance	0.2	-	10	MHz
	CKI(RM)	$F_{CKI}$	Flat(AWG26),50cm distance	0.2	-	4	MHz
	PWM clock	$F_{PCKL}$	-	8.0	10	12.0	MHz
	Internal oscillator	-	-	8.0	10	12.0	MHz
Timeout period**		$t_{timeout}$	-	21	-	-	us
error detection operation time****		$t_{ERR-C}$	-	2	-	-	us

Note:

\* wd: is wire delay , which is dependent on wire distance and wire material.

\*\*The period of internal OSC is 8MHz (min.) ~ 12MHz (max.), so the time-out period is 168x83.3ns (13.9us) ~ 168x125ns (21us). Please refer to time out mechanism section.

\*\*\*The Gray Scale Clock Frequency is 12MHz (max.) when the GCLK=frequency of internal oscillator.

\*\*\*\*Users have to leave more time than the maximum error detection time for the error detection.

\*\*\*\*\*The maximum frequency may be limited by different application conditions. Please refer to the application note for details.

Characteristic		Symbol	Condition	Min.	Typ.	Max.	Unit	
Propagation delay time ("H" to "L" or "L" to "H")	CKI↑-CKO↓	t <sub>P1</sub>	R <sub>ext</sub> =680Ω R <sub>L</sub> =200Ω	18	23	28	ns	
	CKO↓-SDO	t <sub>P2</sub>		20	30	40	ns	
	CKO↓-SDI	t <sub>P5</sub>		20	30	40	ns	
	CKO↑-DIR_FLAG	t <sub>P6</sub>		10	20	30	ns	
	GCLK↑-OUTA0, OUTA1, OUTA2, OUTA3 ↓↑	t <sub>P7</sub>		32	40	48	ns	
	GCLK↑-OUTB0, OUTB1, OUTB2, OUTB3 ↓↑	t <sub>P8</sub>		40	48	56	ns	
	GCLK↑-OUTC0, OUTC1, OUTC2, OUTC3 ↓↑	t <sub>P9</sub>		48	56	64	ns	
	SDI(n+1) – SDO(n)	t <sub>P3</sub>	Wire delay and IC internal delay	wd*	wd*	wd*	ns	
	CKI(n) – CKI(n+1)	t <sub>P4</sub>	Wire delay and IC internal delay	t <sub>P1</sub> +wd*	t <sub>P1</sub> +wd*	t <sub>P1</sub> +wd*	ns	
Rise Time	CKO/SDO/SDI	t <sub>CR</sub>	R <sub>ext</sub> =680Ω R <sub>L</sub> =200Ω	2	5	8	ns	
	OUTA ~ OUTC	t <sub>OR1</sub>		25	35	45	ns	
Fall Time	CKO/SDO/SDI	t <sub>CF</sub>		2	5	8	ns	
	OUTA ~ OUTC	t <sub>OF1</sub>		25	35	45	ns	
Hold Time Setup Time	SDI-CKI↓	t <sub>H(D)</sub>		10	-	-	ns	
	CKI↓-SDI	t <sub>S(D)</sub>		10	-	-	ns	
Pulse Width	CKI(WM)	t <sub>W(WM)</sub>		Pulse width of write mode	15	-	-	ns
	CKI(RM)	t <sub>W(RM)</sub>		Pulse width of read mode	50	-	-	ns
Frequency	CKI(WM)	F <sub>CKI</sub>	Flat(AWG26)/CAT6 wire, 50cm distance	0.2	-	10	MHz	
	CKI(RM)	F <sub>CKI</sub>	Flat(AWG26), 50cm distance	0.2	-	3	MHz	
	PWM clock	F <sub>PCKL</sub>	-	9.0	11.0	13.0	MHz	
	Internal oscillator	-	-	9.0	11.0	13.0	MHz	
Timeout period**		t <sub>timeout</sub>		18.6	-	-	us	
error detection operation time****		t <sub>ERR-C</sub>		2	-	-	us	

Note:

\* wd: is wire delay , which is dependent on wire distance and wire material.

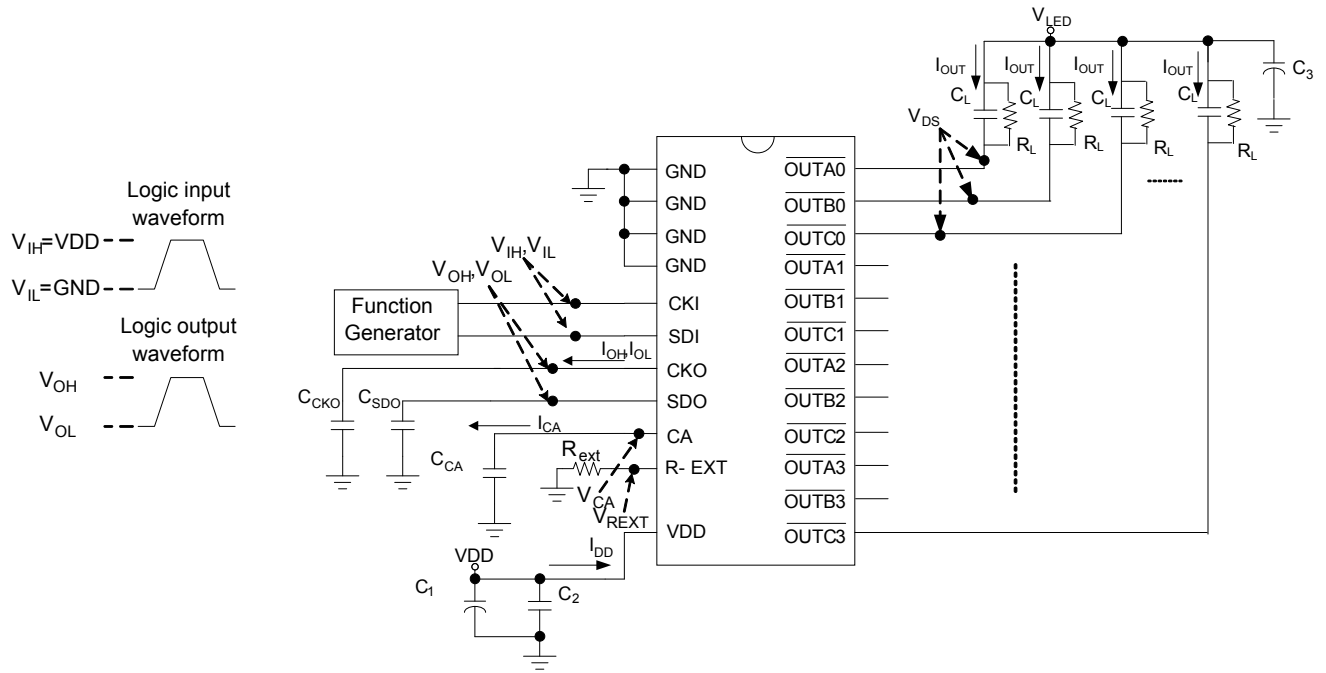
\*\*The period of internal OSC is 9MHz (min.) ~ 13MHz (max.), so the time-out period is 168x76.9ns (12.9us) ~ 168x111.1ns (18.6us). Please refer to time out mechanism section.

\*\*\*The Gray Scale Clock Frequency is 13MHz (max.) when the GCLK=frequency of internal oscillator.

\*\*\*\*Users have to leave more time than the maximum error detection time for the error detection.

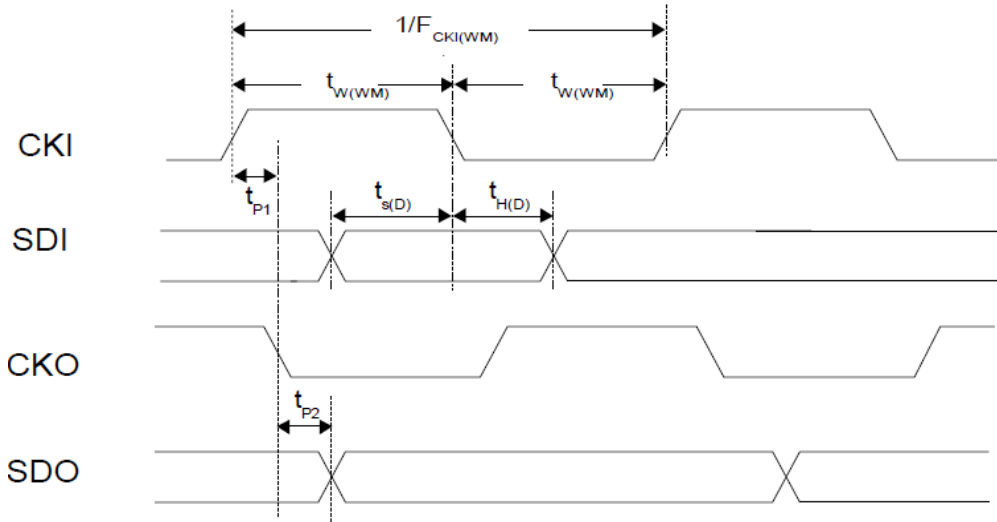
\*\*\*\*\*The maximum frequency may be limited by different application conditions. Please refer to the application note for details.

Test Circuit for Electrical / Switching Characteristics

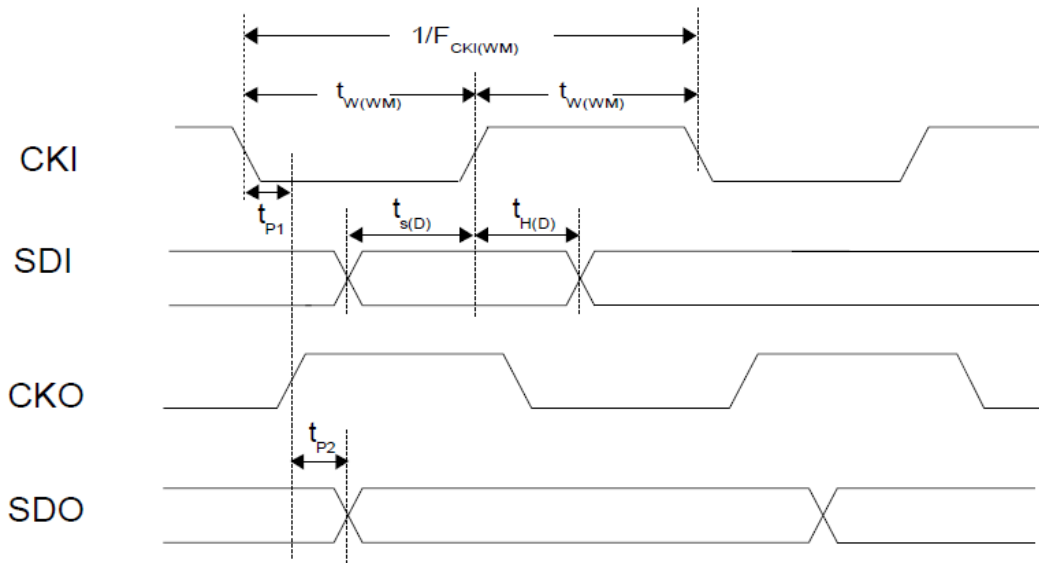


Timing Waveform

I. Write Mode Direction

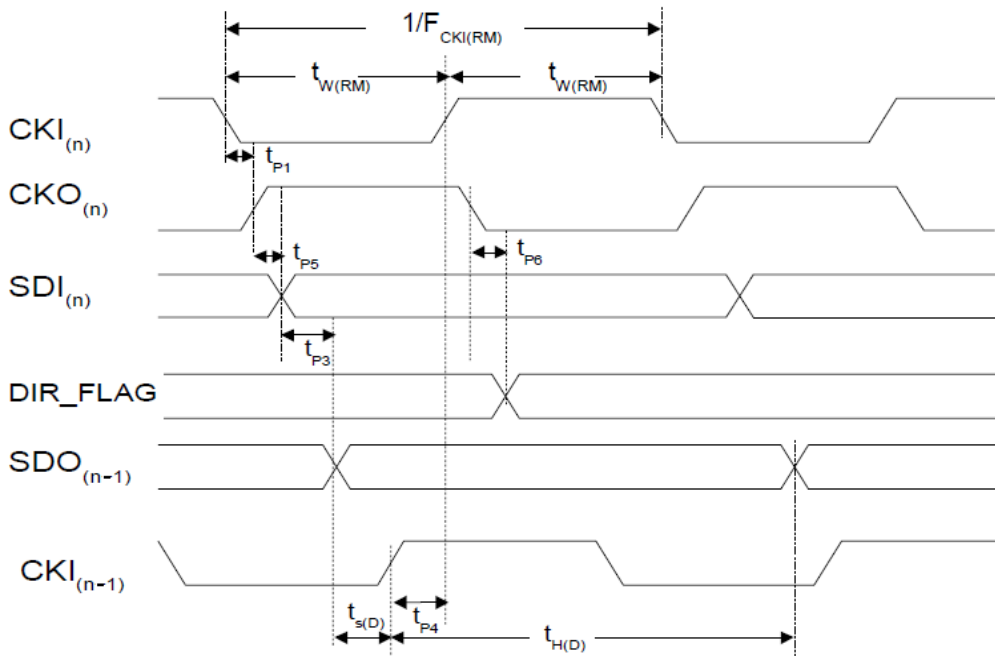
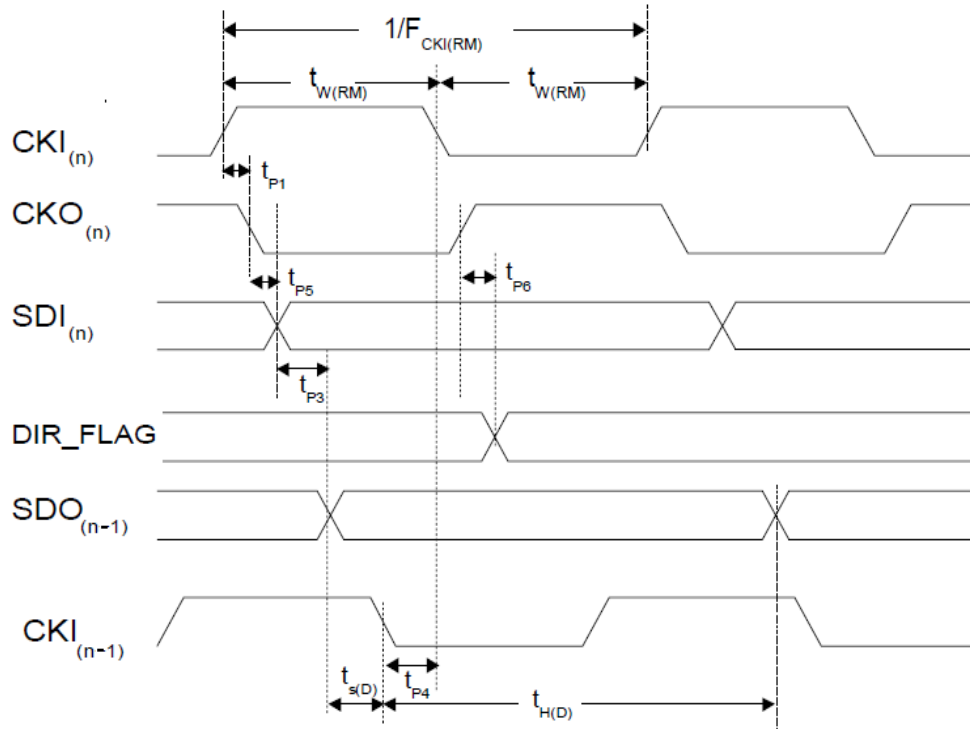


Note: Even IC means 0, 2nd, 4th ... ICs connected to controller

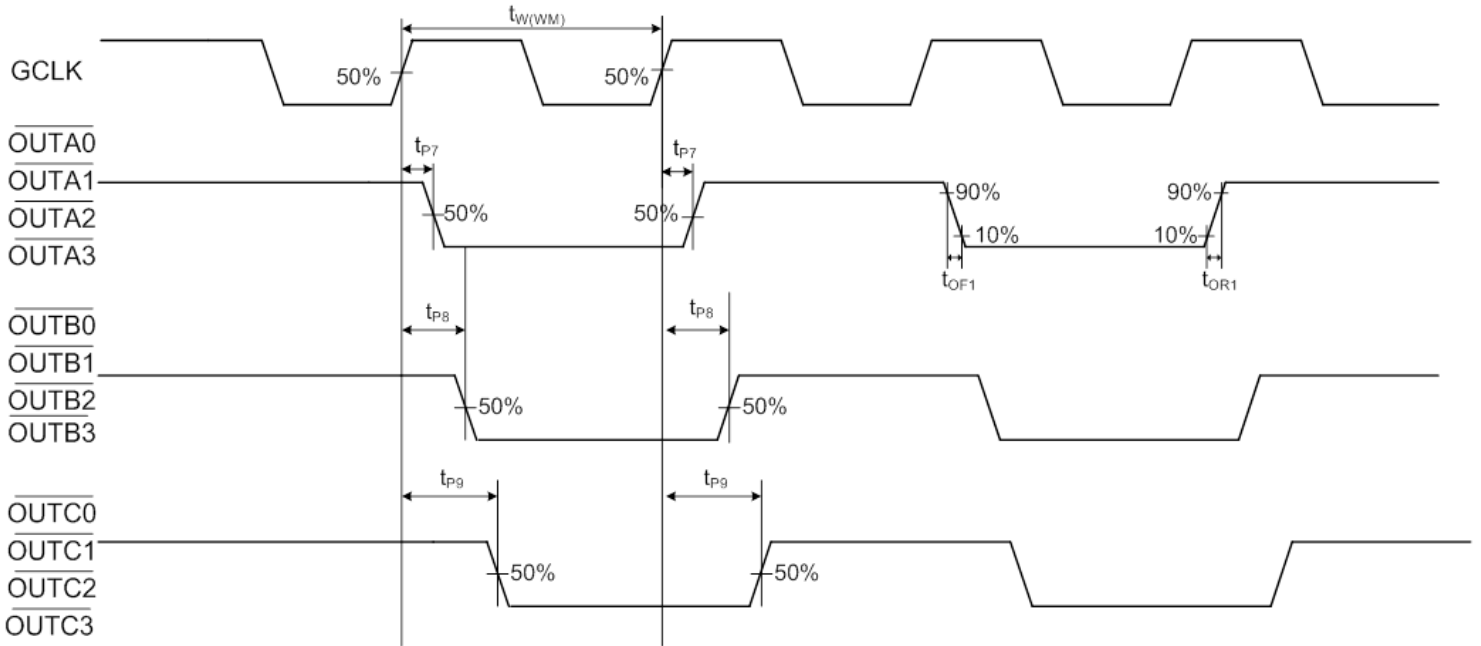


Note: Odd IC means 1st, 3rd, 5th ... ICs connected to controller

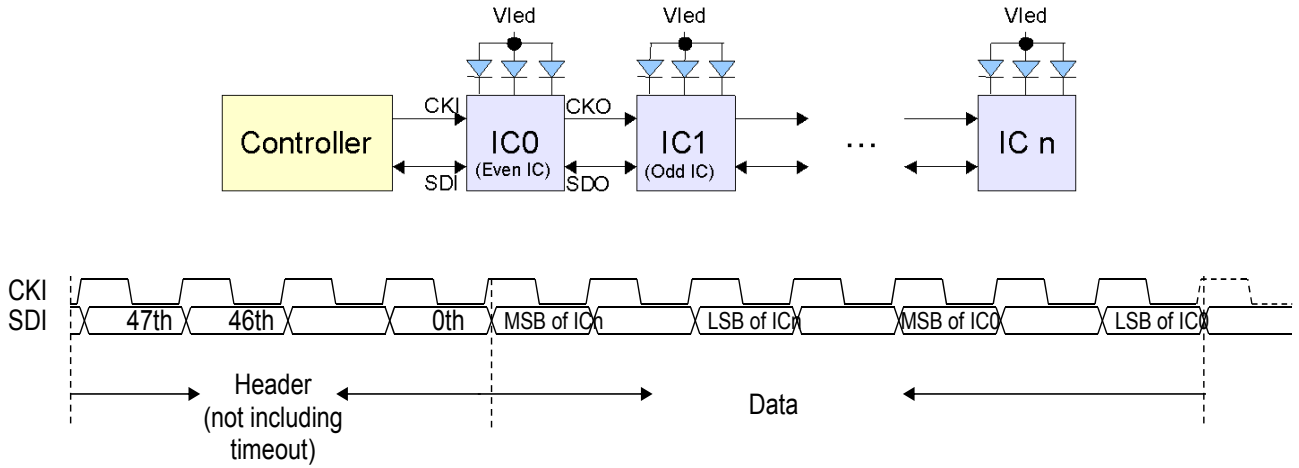
II. Read Mode Direction



Output Timing



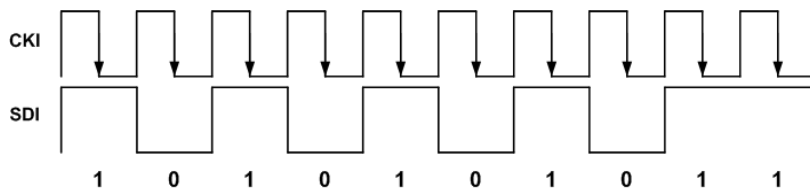
Data programming sequence



The above figure shows an application example of MBI6034. The drivers are connected serially and the data sequence sent by the controller is shown in Fig. 6. All commands are composed of “Header” and “Data”, as shown in the above figure.

The programming data sequence is from ICn, ICn-1, ... to IC0 and for each IC, MSB bit is sent first. (Please also refer to sec. of “The structure of data packet”)

Control Interface



MBI6034 adopts the SPI-like interface (CKI/SDI). By SPI-like interface, MBI6034 samples the data (SDI) at the falling edge of the clock (CKI).The above waveform is the example of the SPI-like interface.



### Principle of Operation

MBI6034 receives the data packet containing targeted gray scale data from the controller, and turns on the output channels according to the gray scale data. The gray scale clock of PWM generator, GCLK, is generated by the embedded oscillator. MBI6034 provides SPI-like interface (CKI, SDI), a two-wire only transmission interface, to address the data, so that MBI6034 receives the data directly without latching data.

### Input Voltage Regulation

MBI6034 integrates a LDO which can convert 6~24V input voltage to 5V to supply the internal circuit. A user can connect a capacitor in CA pin to compensate LDO. Although CA is an output pin, the driving current is very tiny. Do not use the output of CA pin to drive any device. If a user would like to power MBI6034 by regulated 5V or 3.3V, connect both V<sub>DD</sub> and CA pins to regulated 5V or 3.3V.

### Gray Scale Control

MBI6034 provides 16-bit S-PWM gray scale mode to 64 segments, so that the visual refresh rate can be increased. For example, with S-PWM, the default PWM clock frequency is 12MHz, so, the visual refresh rate of 16-bit gray scale mode will be increased to 12MHz/65,536x64=11.72KHz

MBI6034 continuously repeats the PWM cycle and turns on the output ports according to the image data until the next image data is correctly recognized. Once the next input data is correctly recognized, MBI6034 will stop the present PWM cycle and restart a new PWM cycle to show the new data immediately.

#### 16-bit gray scale data

The following is the equation for the duty cycle of output in 16-bit gray scale mode.

$$\text{The duty cycle of output (\%)} = \frac{\text{16-bit gray scale data}}{65536} \times 100\%$$

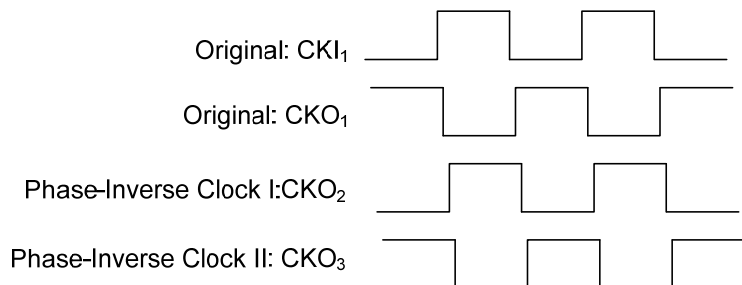
According to the above equation, the following table shows the examples:

Table 1. 16-bit gray mode scale output result

Example	Gray scale data	Duty Cycle of Output
1	65,535	99.9%
2	32,768	50%
3	16,384	25%
	⋮	⋮
	⋮	⋮

**Phase-inversed Output Clock**

MBI6034 enhances the capability of cascading MBI6034 by phase-inversed output clock function. By phase-inversed output clock, the clock phase will be inversed from CKI to CKO to eliminate the accumulation of the pulse width deviation. This improves the signal integrity of data transmission. The following chart illustrates the phase-inversed output clock results.



The Structure of Data Packet

MBI6034's data packet contains three parts:

1. Prefix:  
The prefix is a symbol of "Silent-to-Reset", i.e. a time period for MBI6034 to distinguish two data packets.
2. Header:  
The header defines the cascaded IC numbers and also contains a command to decide the data type.
3. Data:  
This is the data for each IC. It may be gray scale data, dot correction data, or configuration data.

Structure of a data packet:

Prefix	Header	Data
--------	--------	------

Prefix

MBI6034 identifies the data as a new packet after time-out. Then users can follow the "time-out" protocol (time-out duration: stop  $t_{out}$  + 1CKI + stop  $t_{out}$ ) to re-start packet decoding scheme.

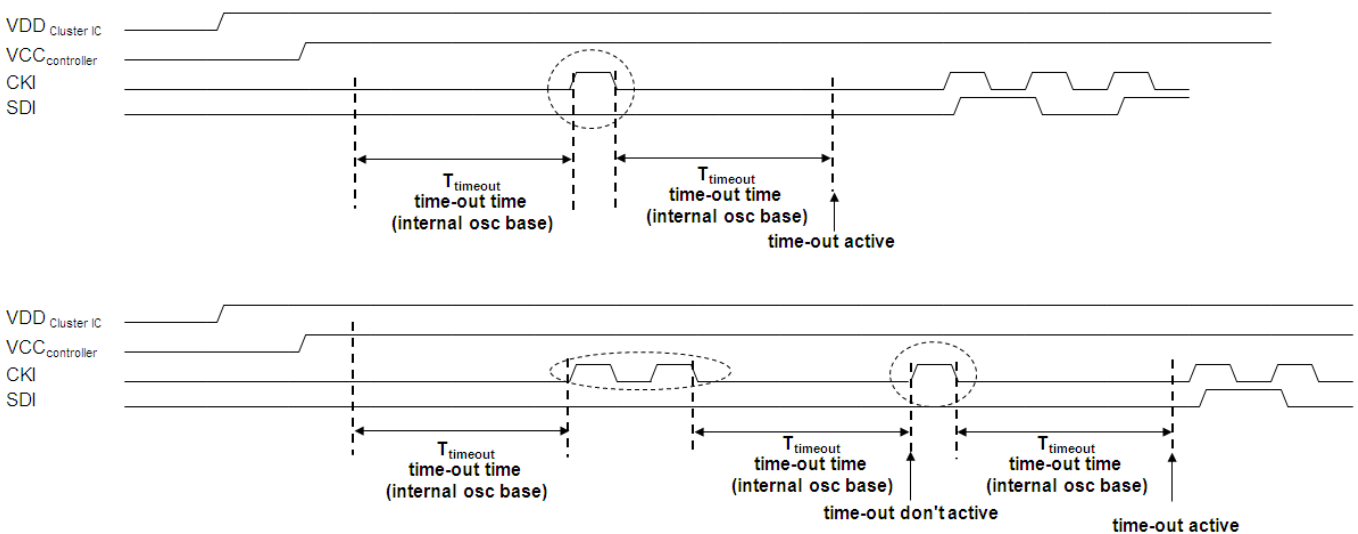
If both CKI and SDI are tied-low and stop for more than the setting of CKI time-out period, MBI6034 will start to check the valid command of the next data packet. The prefix between two data packets helps MBI6034 identify the data packet correctly. The following timing diagram illustrates the interval between two data packets in 16-bit gray scale mode.

Time-out reset is to prevent ICs from misreading during the data transmission. The procedure is described below,

The CKI should be tied-low and stop for more than time-out period

- > one CKI pulse (SDI keep)
- > CKI should be tied-low and stop for more than time-out period.

Where the time-out period is at least than 21  $\mu$  s.



Setting the Data Types by the Command

MBI6034 provides four kinds of commands and input data types shown as the table below:

Command H[5:0]	Data Type
8'b11010101	Current gain mode
8'b11110011	Non-current gain mode
8'b11000001	Software reset
8'b11001111	LED open/short error detection

Once MBI6034 receives the SDI=1 (1'b1), MBI6034 will start to check if the data is a valid command or not. If the 8-bit data is a valid command, the driver will latch the specific data according to the protocol. If the 8-bit data is not a valid command, MBI6034 will wait for another SDI=1 (1'b1) to check the validity of the next command.

**Time-Out Reset for Transmission Abort**

Time-out reset is to prevent ICs from misreading during the data transmission. The procedure is described below,

The CKI should be tied-low and stop for more than time-out period

- > one CKI pulse (SDI keep)
- > CKI should be tied-low and stop for more than time-out period.

Where the time-out period is at least than 20 μs.

Header Packet Format

**48-bit header**

Bit	Definition	Value	Function
47:40	H[7:0]	8'b11010101	Gray scale mode with current gain
		8'b11110011	Gray scale mode without current gain
39:26	S[13:0]	14'b0000000000000000	Wait counter data. Always send 14'b 0000000000000000
25:12	L[13:0]	N - 1 N=Number of IC in series 14'bxxxx0000000000 ~ 14'bxxxx1111111111	Set the number of IC in series. The L[13:10] don't care. Only the L[9:0] are effective. For example: if we have 3 IC's in cascade, Length[13:0]=14'b0000 0000 0000 10
11:4	CF[7:0]	8'b00000000~8'b11111111	The configuration data. 8'b00000000 (default)
3:0	X1[3:0]	4'b0000	Reserved. Please keep "0000"

Configuration Mode

Bit	MSB				LSB			
	11	10	9	8	7	6	5	4
Default Value	0	000	00	0	0	0	0	0

Bit	Definition	Value	Function
11	Reserved	1'b0	The value is suggested to be "0"
10:8	GCLK frequency	000(default)	GCLK=frequency of internal oscillator, i.e. 10MHz (typ.).
		3'b001	GCLK=frequency of internal oscillator divided by 2, i.e. 5MHz (typ.).
		3'b 010	GCLK=frequency of internal oscillator divided by 4, i.e. 2.5MHz (typ.).
		3'b 011	GCLK=frequency of internal oscillator divided by 8, i.e. 1.25MHz (typ.).
		3'b 100	GCLK=frequency of internal oscillator divided by 16, i.e. 625KHz (typ.).
		3'b 101	GCLK=frequency of internal oscillator divided by 64, i.e. 156.25KHz (typ.).
		3'b 110	GCLK=frequency of internal oscillator divided by 128, i.e. 78.125KHz (typ.).
		3'b 111	GCLK=frequency of internal oscillator divided by 256, i.e.39.0625KHz (typ.).
7:6	Reserved	2'b00	Reserved. Please keep "00"
5	Output turn-on	1'b0	Turn-on the output "1", all constant-current outputs (OUTC3-OUTA0) are controlled by the GS PWM timing controller. "0", all constant-current outputs are forced off and PWM counter is reset to "0". Note: when this bit is from "0" to "1", PWM counter will be reset.
4	Reserved	1'b0	Reserved. Please keep "0"

Current Gain

24-bit current gain data

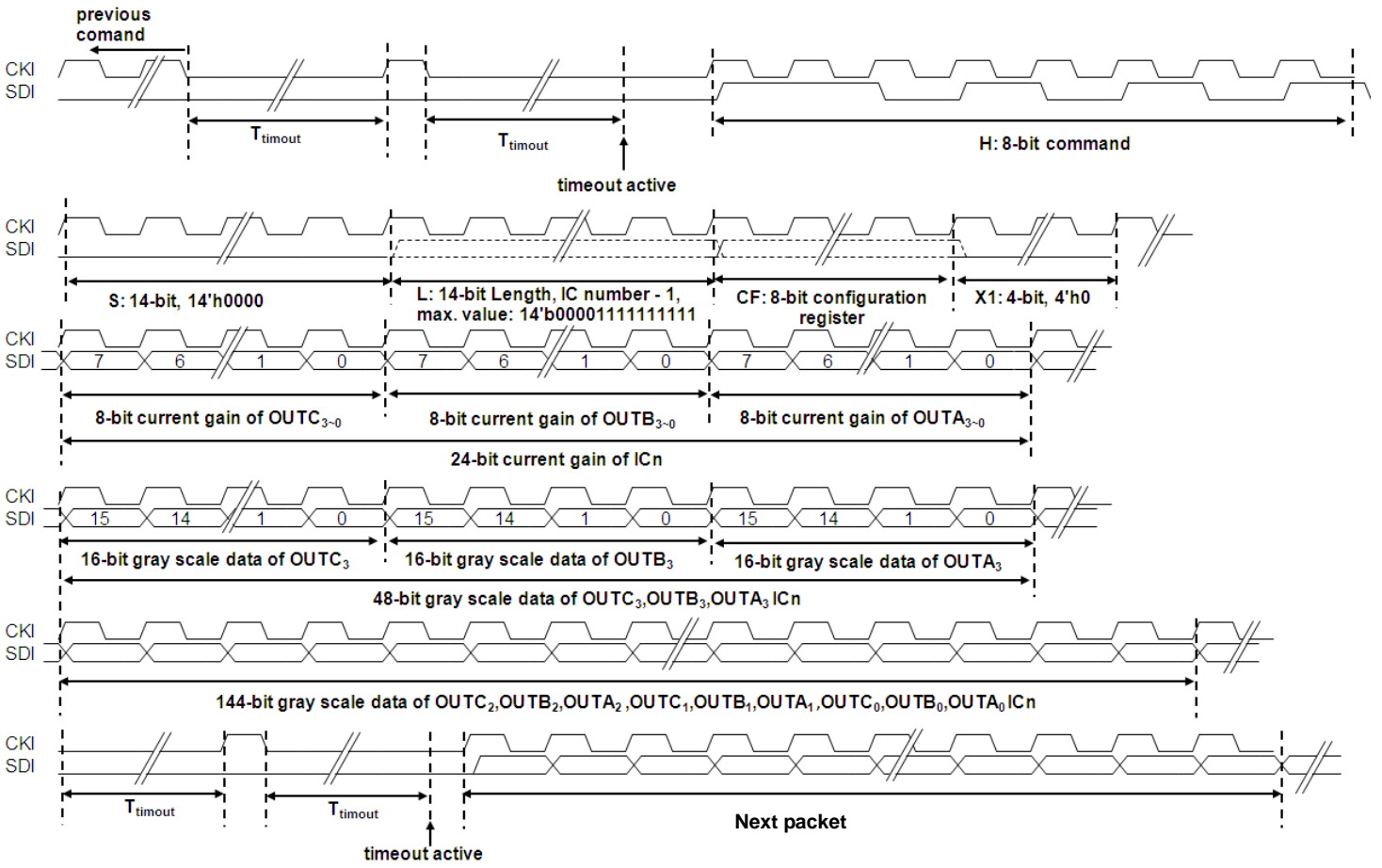
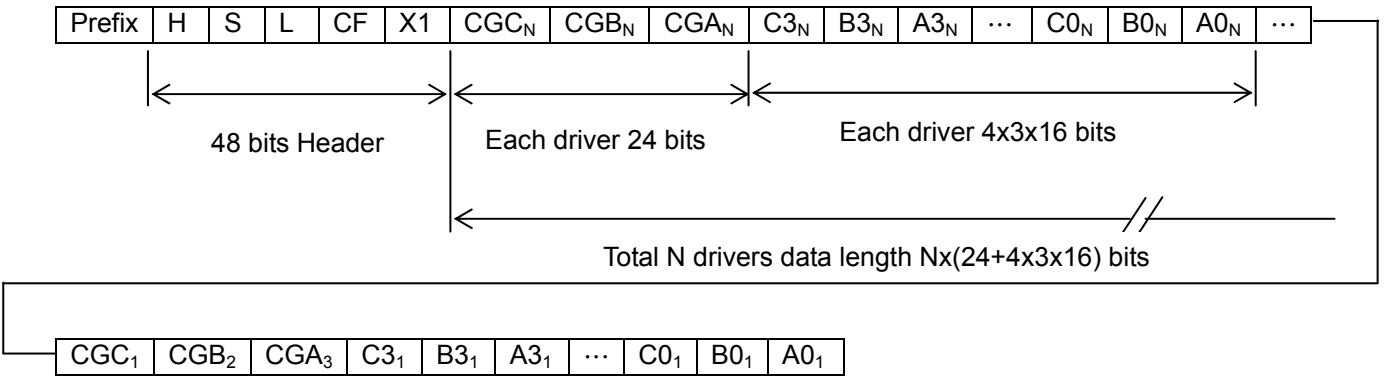
Bit	Definition	Value	Function
23:16	CGC <sub>N</sub> [7]	1'b0	Reserved. Please keep "0"
	CGC <sub>N</sub> [6:0]	7b'0000000~ 7b'1111111	The CGC <sub>N</sub> [6:0] are 7 bits current gain data of Nth driver for <u>OUTC</u> .
15:8	CGB <sub>N</sub> [7]	1'b0	Reserved. Please keep "0"
	CGB <sub>N</sub> [6:0]	7b'0000000~ 7b'1111111	The CGB <sub>N</sub> [6:0] are 7 bits current gain data of Nth driver for <u>OUTB</u> .
7:0	CGA <sub>N</sub> [7]	1'b0	Reserved. Please keep "0"
	CGA <sub>N</sub> [6:0]	7b'0000000~ 7b'1111111	The CGA <sub>N</sub> [6:0] are 7 bits current gain data of Nth driver for <u>OUTA</u> .

192-bit gray scale data

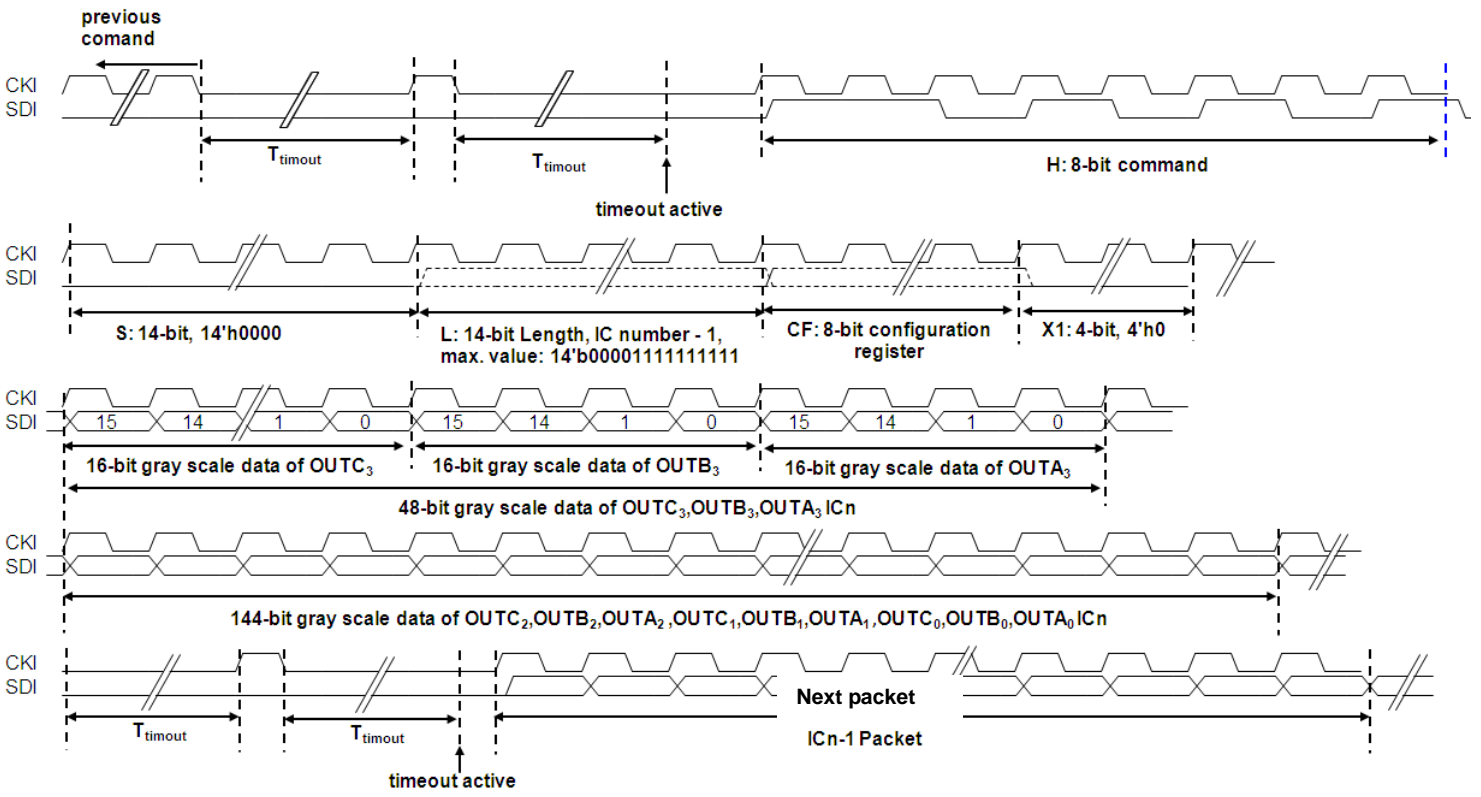
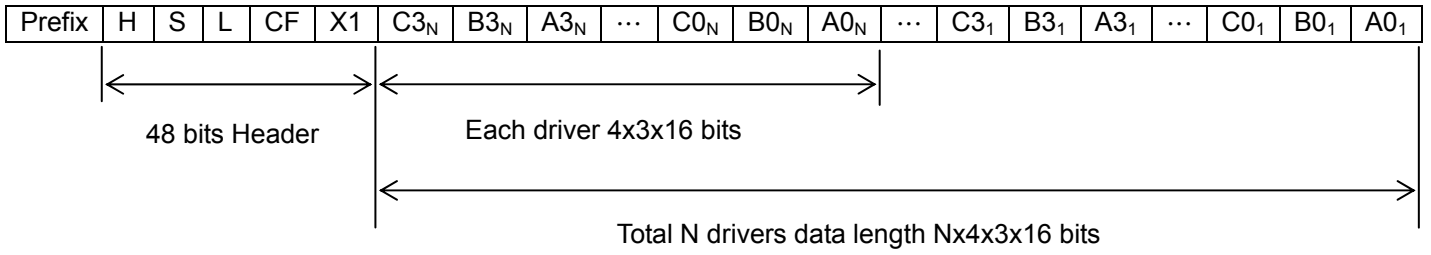
Bit	Definition	Value	Function
191:0	C3 <sub>N</sub> [15:0]~ A0 <sub>N</sub> [15:0]	Each channel is 16-bit. 16'h0000 ~ 16'hffff	16-bit x 12 channels gray scale data of the Nth driver. The data of <u>OUTC</u> <sub>3N</sub> is sent first.

The gray scale data of the last IC is sent first, followed by the previous ICs, and the first IC's gray scale data is sent in the end of the packet.

Example of 16-bit Gray Scale with Current Gain



Example of 16-bit Gray Scale without Current Gain

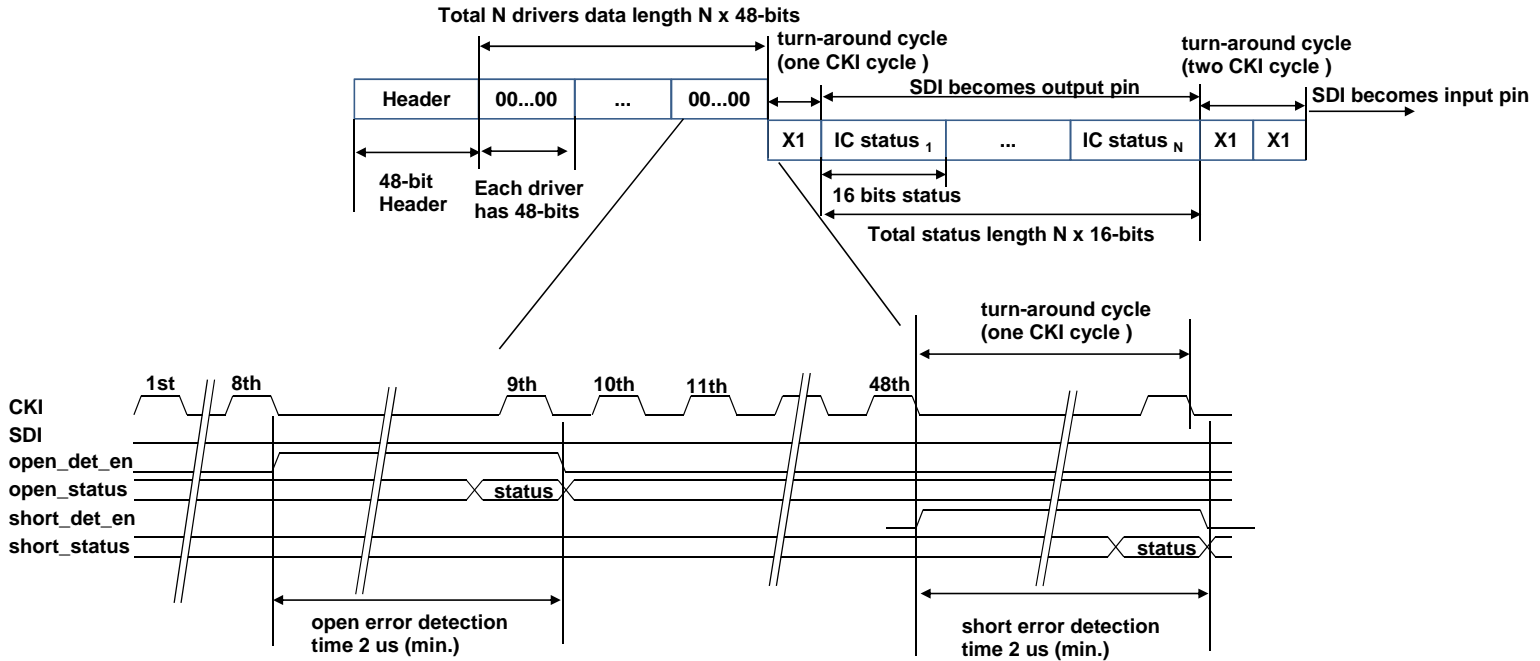




IC Status Read Mode

There is a 48-bit header. The header is composed of command data, wait counter data, length data and configuration data. The Driver provides command data check function to prevent the data transmission error. In address data field, always send 14'b0000000000000000. Set the number of IC in series to the length data field.

There are 8-bit configuration data in header. Each driver needs 48-bit zero data.



Note:

1. Please refer to "Switching Characteristics" for the limitation of clock frequency.
2. Time length of Open / short detection must be greater than 2us..
3. The first IC is output first; the MSB of IC Status is output first.
4. The output is turned off during the open/short error detection.
5. In error status read mode, SDI is an input pin, users could send a time-out setting to change SDI as an output pin. .

48-bit header

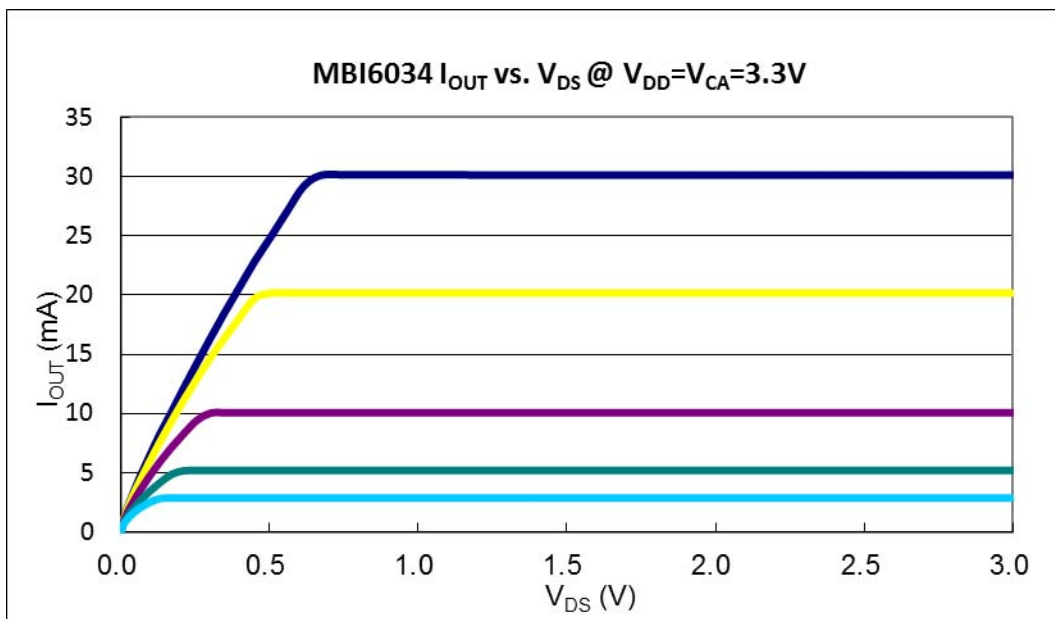
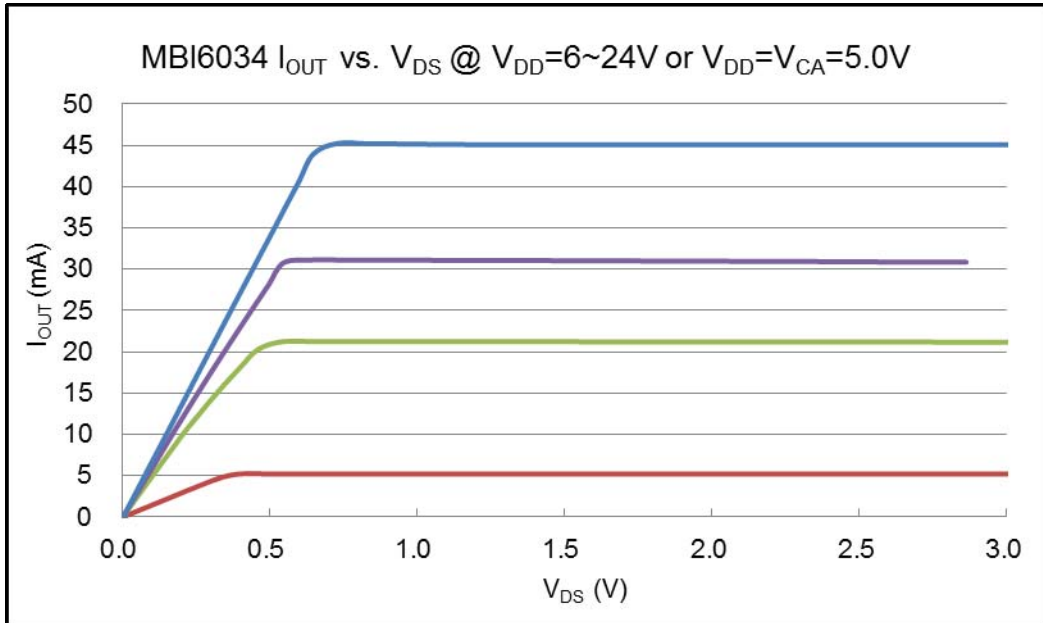
Bit	Definition	Value	Function
47:40	H[7:0]	8'b11001111	The command of packet
39:26	S[13:0]	14'b0000000000000000	Wait counter data. Always send 14'b 0000000000000000
25:12	L[13:0]	N - 1 N=Number of IC in series	Set the number of IC in series. In unmixed connection mode: L[13:10] don't care, Only the L[9:0] are effective. In mixed connection mode: L[13:12] don't care, Only the L[10:0] are effective.
11:4	CF[7:0]	8'hxx	Don't care.
3:0	SV[3:0]	4'b0000	Short threshold voltage ,V <sub>SHORT</sub> =4.2V
		4'b0001	Short threshold voltage ,V <sub>SHORT</sub> =4.8V
		4'b0010	Short threshold voltage ,V <sub>SHORT</sub> =6.0V
		4'b0011	Short threshold voltage ,V <sub>SHORT</sub> =7.2V
		4'b0100	Short threshold voltage ,V <sub>SHORT</sub> =8.4V
		4'b0101	Short threshold voltage ,V <sub>SHORT</sub> =9.6V
		4'b0110	Short threshold voltage ,V <sub>SHORT</sub> =10.8V
		4'b0111	Short threshold voltage ,V <sub>SHORT</sub> =12.0V
		4'b1000	Short threshold voltage ,V <sub>SHORT</sub> =13.2V
		4'b1001	Short threshold voltage ,V <sub>SHORT</sub> =14.4V
		4'b1010	Short threshold voltage ,V <sub>SHORT</sub> =15.6V
		4'b1011	Short threshold voltage ,V <sub>SHORT</sub> =16.8V
		4'b1100	Short threshold voltage ,V <sub>SHORT</sub> =18.0V
		4'b1101	Short threshold voltage ,V <sub>SHORT</sub> =19.2V
		4'b1110	Short threshold voltage ,V <sub>SHORT</sub> =20.4V
		4'b1111	Short threshold voltage ,V <sub>SHORT</sub> =21.6V

IC Status Table:

Bit	Status Name	Value	Description
15:10	Reserved	6'hxx	Don't care
9:8	CKI/SDI status	2'b10	Normal
		2'b00, 2'b01, 2'b11	Error
7	Open detection status of CBA <sub>3</sub>	1	Normal
		0	Error
6	Open detection status of CBA <sub>2</sub>	1	Normal
		0	Error
5	Open detection status of CBA <sub>1</sub>	1	Normal
		0	Error
4	Open detection status of CBA <sub>0</sub>	1	Normal
		0	Error
3	Short detection status of CBA <sub>3</sub>	1	Normal
		0	Error
2	Short detection status of CBA <sub>2</sub>	1	Normal
		0	Error
1	Short detection status of CBA <sub>1</sub>	1	Normal
		0	Error
0	Short detection status of CBA <sub>0</sub>	1	Normal
		0	Error

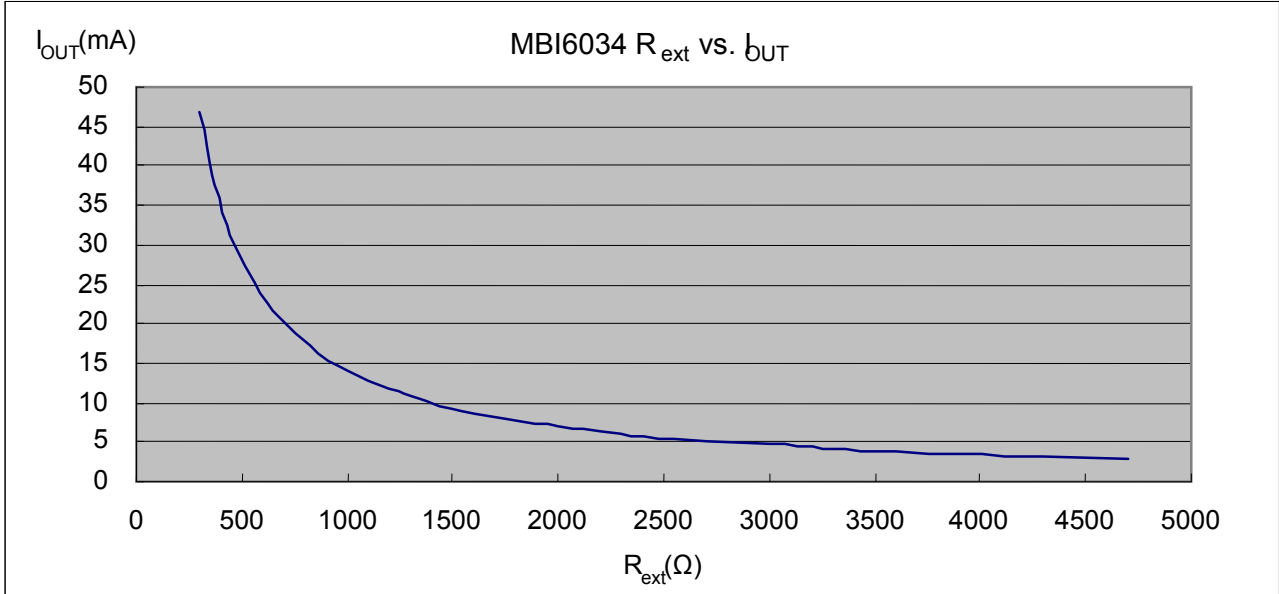
### Constant Current

- 1) MBI6034 performs excellent current skew: the maximum current variation between channels is less than  $\pm 3\%$ , and that between ICs is less than  $\pm 6\%$ .
- 2) In addition, in the saturation region, the output current keeps constant when the output voltage ( $V_{DS}$ ) is changed. This characteristic guarantees the LED show the same brightness regardless of the variations of LED forward voltages ( $V_F$ ).



### Setting the Output Current

The output current of each channel ( $I_{OUT}$ ) is set by an external resistor,  $R_{ext}$ . The relationship between  $I_{OUT}$  and  $R_{ext}$  is shown in the following figure.



The output current of each channel ( $I_{OUT}$ ) is set by an external resistor,  $R_{ext}$ . When output channels are turned on,  $V_{REXT}$  is around 0.61V. The relationship between  $I_{OUT}$  and  $R_{ext}$  is shown in the following figure.

Also, the output current can be calculated from the equation:

$$I_{OUTA} = (V_{REXT} / R_{ext}) \times 23 \times CG_A / 127$$

$$I_{OUTB} = (V_{REXT} / R_{ext}) \times 23 \times CG_B / 127$$

$$I_{OUTC} = (V_{REXT} / R_{ext}) \times 23 \times CG_C / 127$$

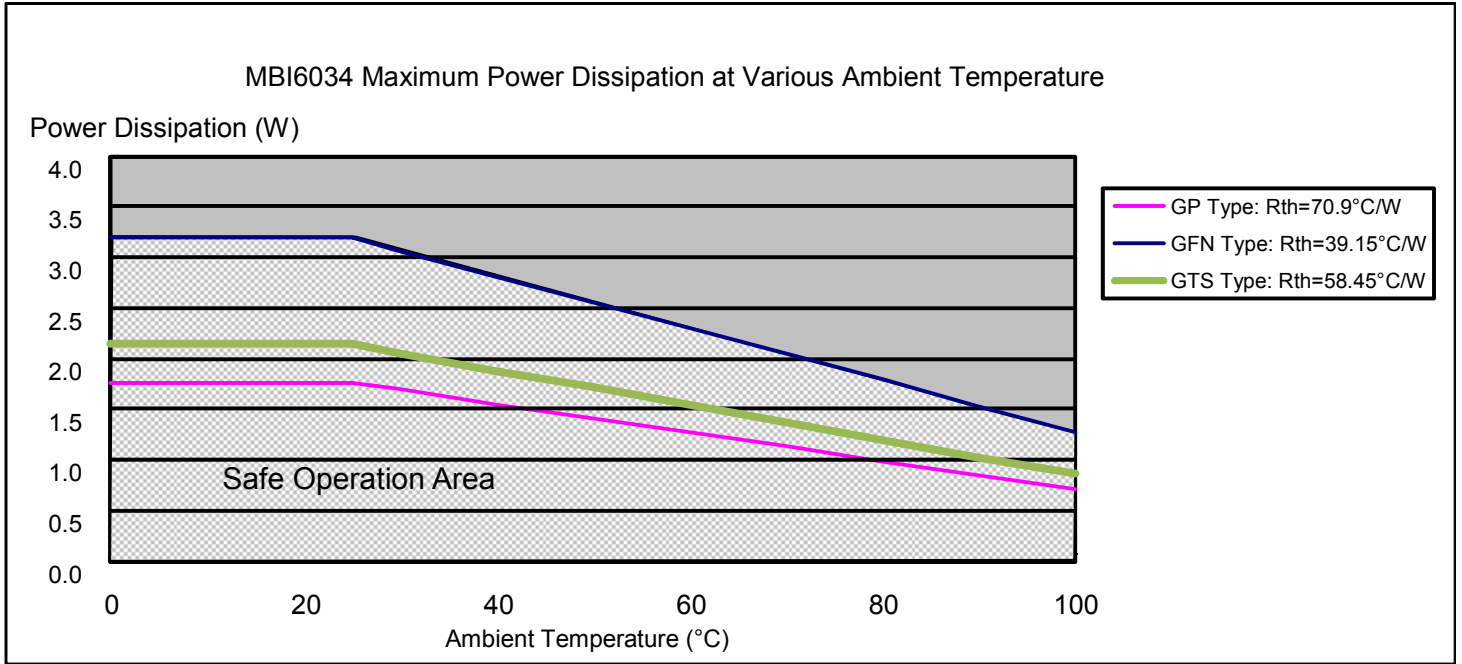
Package Power Dissipation ( $P_D$ )

The maximum power dissipation,  $P_D(\max)=(T_{j,\max}-T_a)/R_{th(j-a)}$ , decreases as the ambient temperature increases.

The power dissipation ( $P_D$ ) is calculated by the equation:

$$P_D=(V_{DD} \times I_{DD})+(I_{OUTA} \times V_{DSA})+(I_{OUTB} \times V_{DSB})+(I_{OUTC} \times V_{DSC})$$

Please refer to the following figure to design within the safe operation area.



Load Supply Voltage ( $V_{LED}$ )

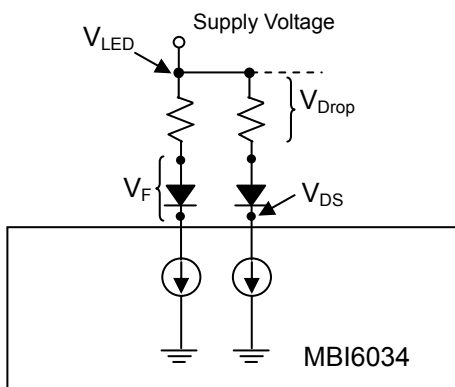
The design of  $V_{LED}$  should fulfill two targets:

- 1. Less power consumption and heat
- 2. Sufficiently headroom for the LED and driver IC to operate in the constant-current region.

From the figure below,  $V_{DS}=V_{LED}-V_F$ , which  $V_{LED}$  is the supply voltage of LED.  $P_{D( act)}$  will be greater than  $P_{D( max)}$ , if  $V_{DS}$  drops too much voltage on the driver. In this case, it is recommended to use the lowest possible supply voltage or to set an external resistor to reduce the by  $V_{DROP}$ .

$$V_{DS}=(V_{LED}-V_F)-V_{DROP}$$

Please refer to the following figure for the application of the resistor.

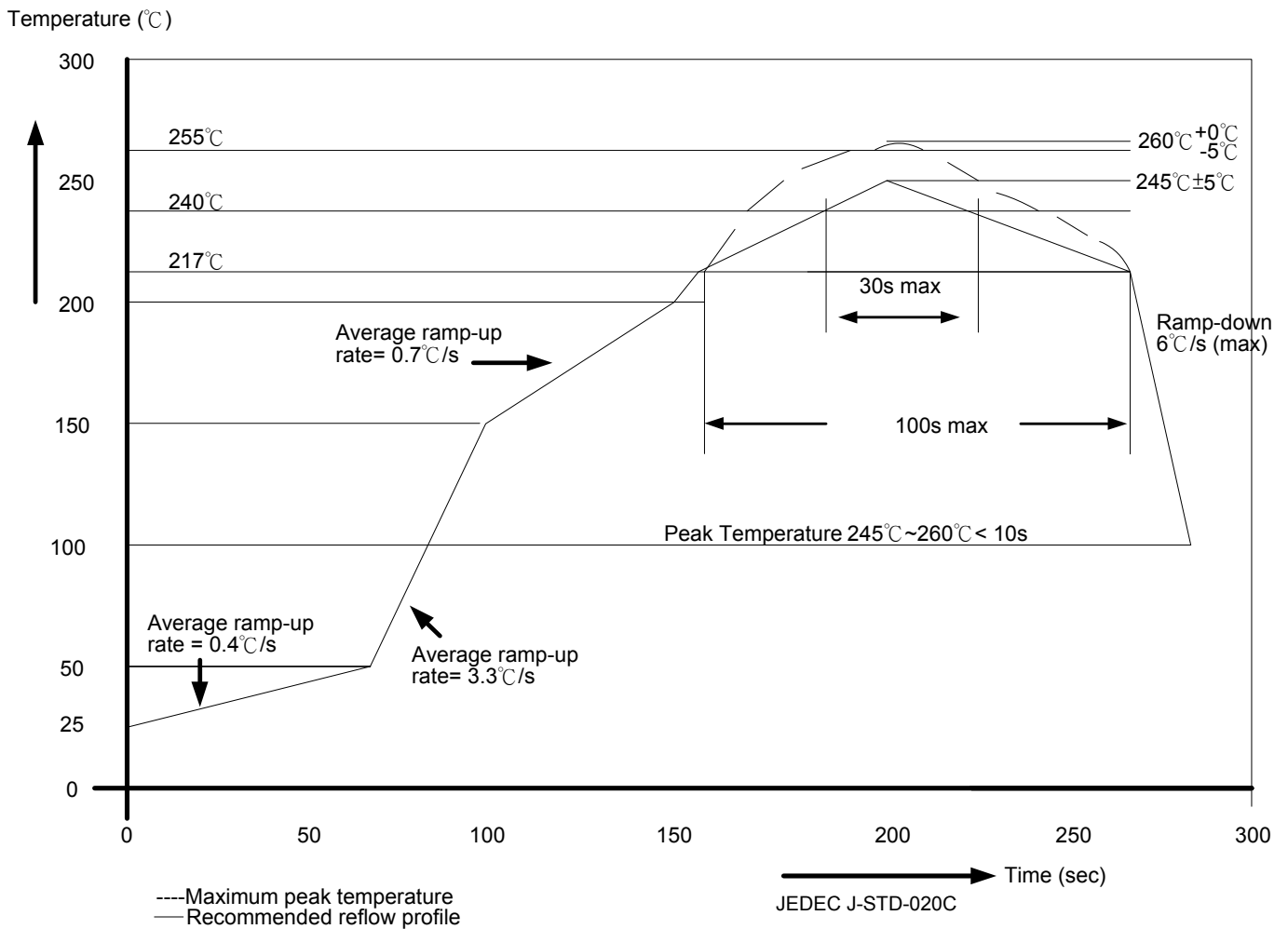


Switching Noise Reduction

The output ports of LED drivers are frequently switching in typical applications. This behavior usually causes switching noise due to the parasitic inductance on PCB. To eliminate switching noise, please refer to “Application Note for 8-bit and 16-bit LED Drivers-Overshoot”.

Soldering Process of "Pb-free & Green" Package Plating\*

Macroblock has defined "Pb-Free & Green" to mean semiconductor products that are compatible with the current RoHS requirements and selected 100% pure tin (Sn) to provide forward and backward compatibility with both the current industry-standard SnPb-based soldering processes and higher-temperature Pb-free processes. Pure tin is widely accepted by customers and suppliers of electronic devices in Europe, Asia and the US as the lead-free surface finish of choice to replace tin-lead. Also, it is backward compatible to reflow processes which adopt tin/lead (SnPb) solder paste. Please refer to JEDEC J-STD-020C for temperature setting. However, in the whole Pb-free soldering processes and materials, 100% pure tin (Sn) will all require from 245 °C to 260 °C for proper soldering on boards, referring to JEDEC J-STD-020C as shown below.

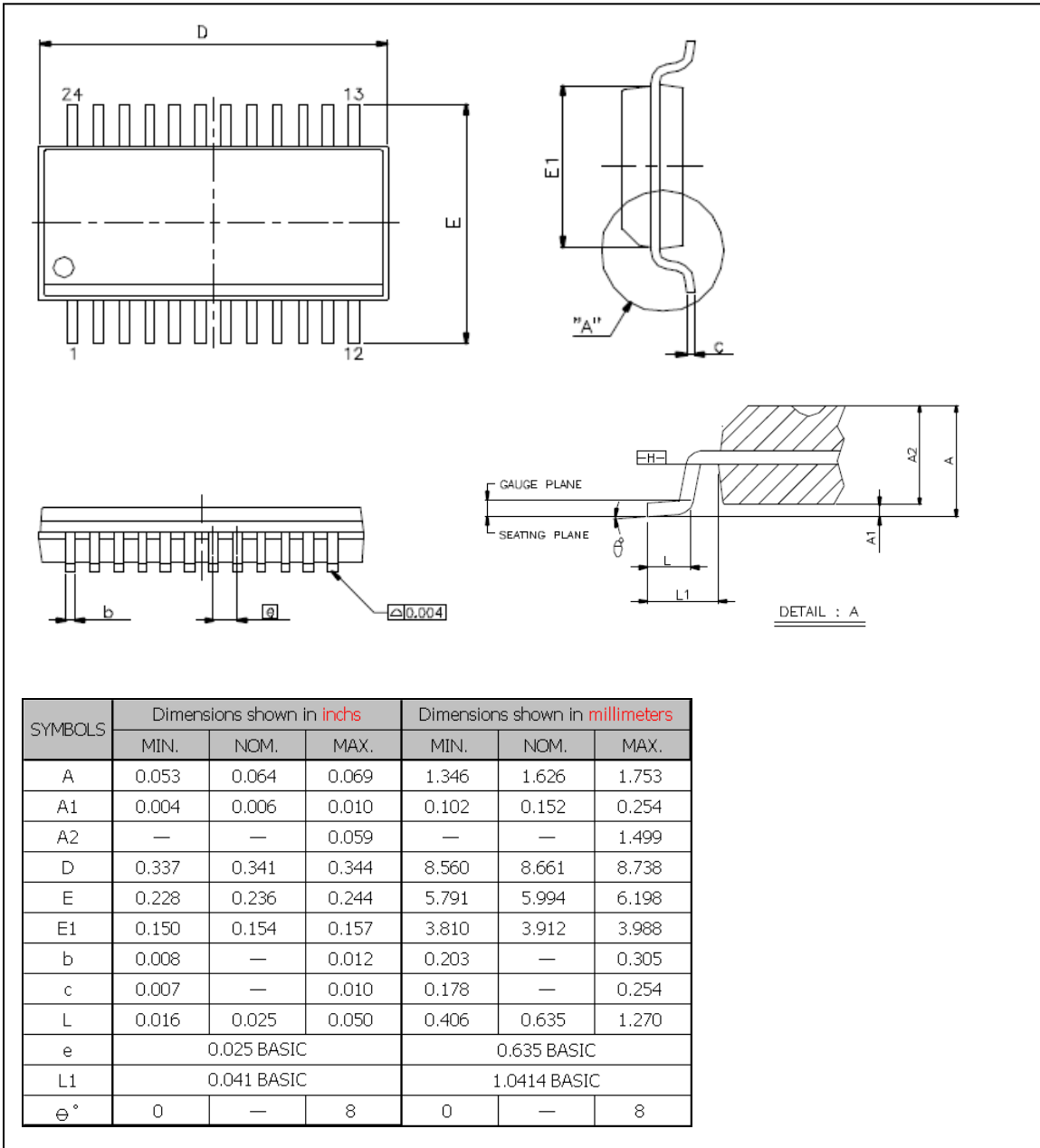


Package Thickness	Volume mm <sup>3</sup> <350	Volume mm <sup>3</sup> 350-2000	Volume mm <sup>3</sup> ≥ 2000
<1.6mm	260 +0 °C	260 +0 °C	260 +0 °C
1.6mm – 2.5mm	260 +0 °C	250 +0 °C	245 +0 °C
≥ 2.5mm	250 +0 °C	245 +0 °C	245 +0 °C

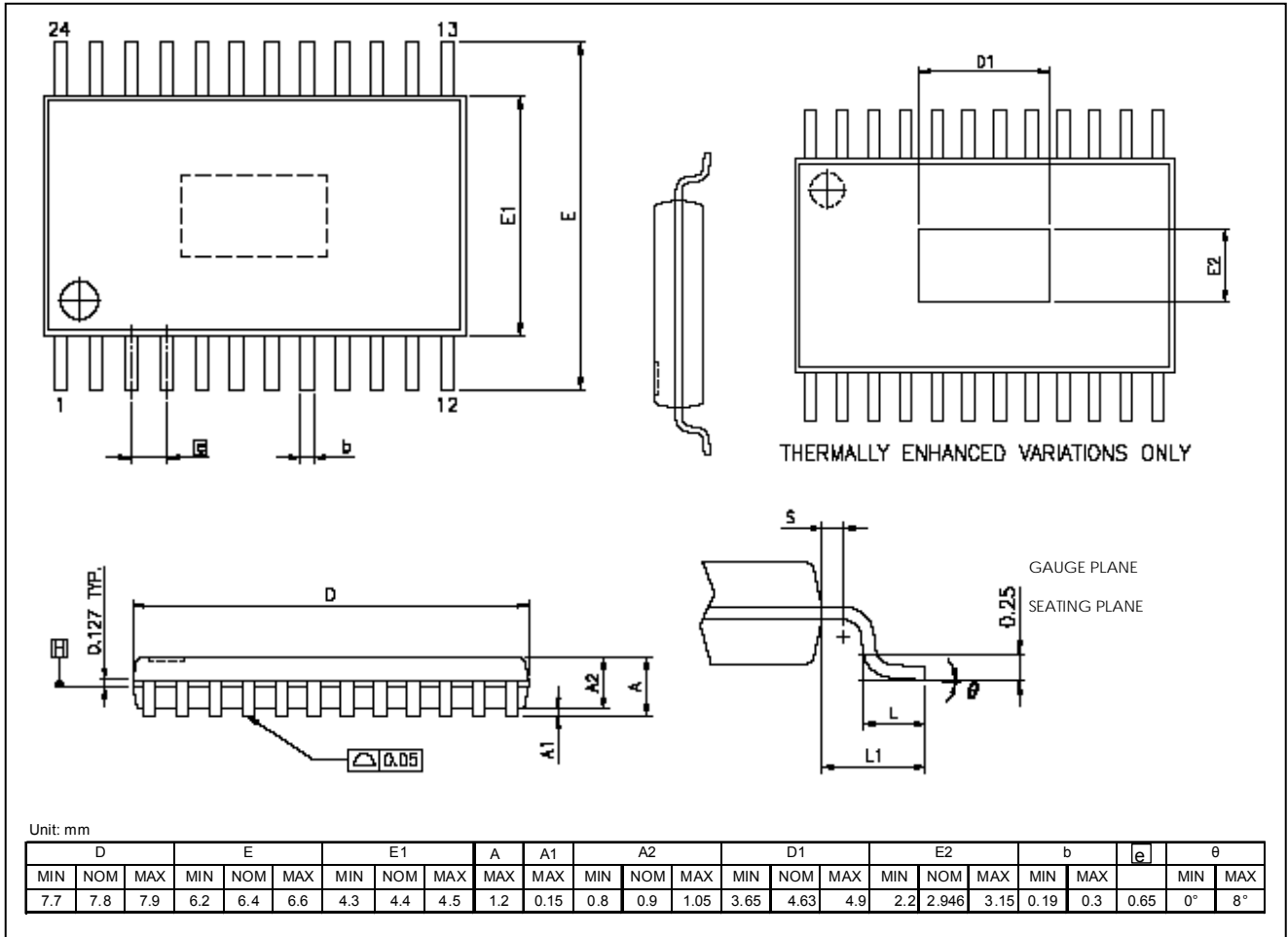
\*For details, please refer to Macroblock's "Policy on Pb-free & Green Package".



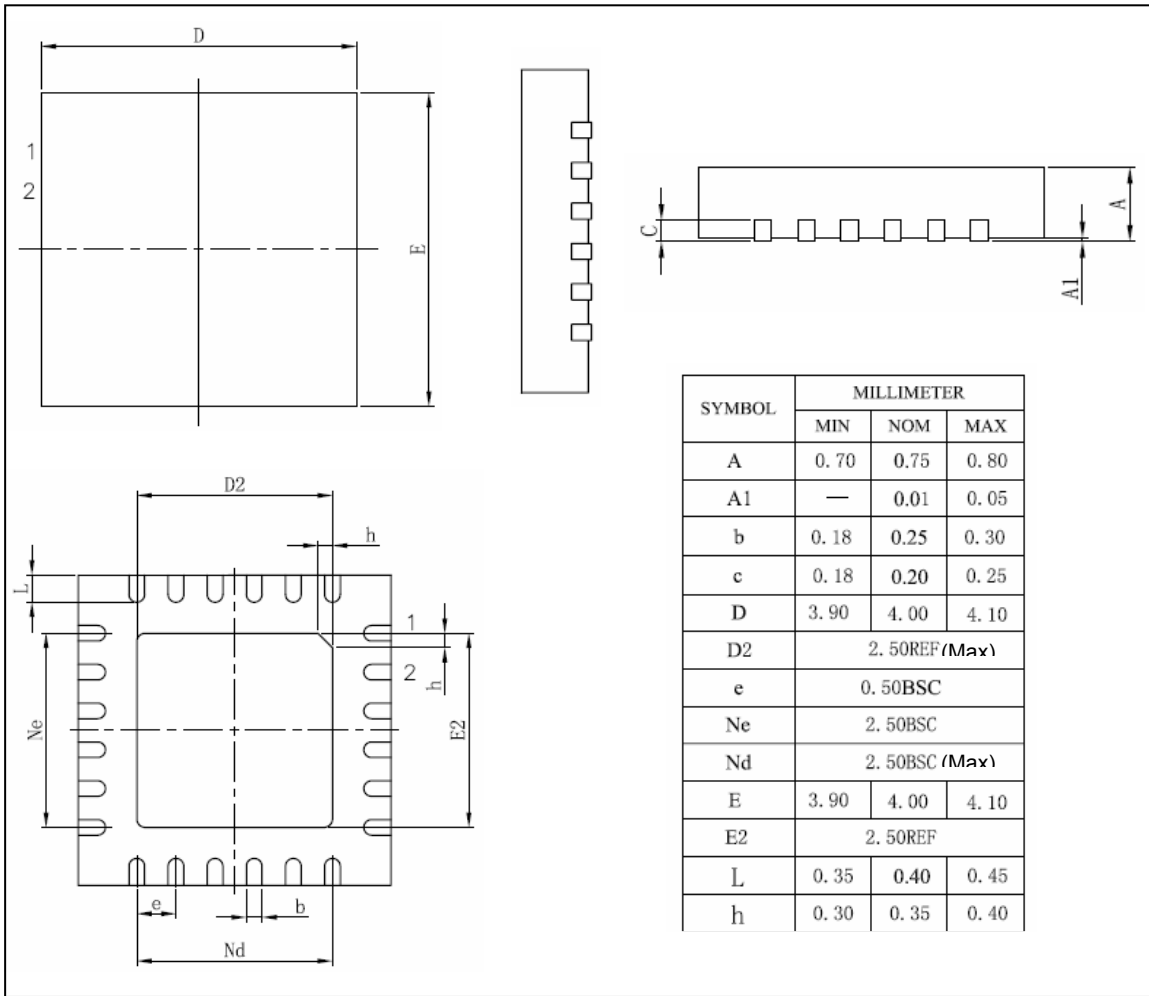
Package Outline



MBI6034GP Outline Drawing



MBI6034GTS Outline Drawing

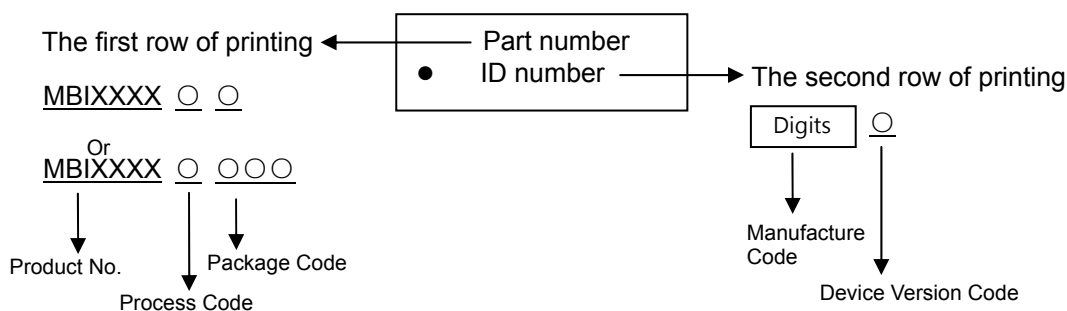


MBI6034GFN Outline Drawing

Note 1: The unit for the outline drawing is mm.

Note 2: Please use the maximum dimensions for the thermal pad layout. To avoid the short circuit risk, the vias or circuit traces shall not pass through the maximum area of thermal pad.

Product Top Mark Information



Product Revision History

Datasheet version	Device version code
V1.00	A
V1.01	A

Product Ordering Information

Product Ordering Number*	RoHS-Compliant Package Type	Weight (g)
MBI6034GP-A	SSOP24L-150-0.64	0.11
MBI6034GTS-A	TSSOP24-173 -0.65	0.0967
MBI6034GFN-A	QFN24L-4*4-0.5	0.0379

\*Please place your order with the “**product ordering number**” information on your purchase order (PO).

## PWM-Embedded 3x4-Channel Constant-Current Sink Driver with Error Detection for LED Strips Disclaimer

Macroblock reserves the right to make changes, corrections, modifications, and improvements to their products and documents or discontinue any product or service. Customers are advised to consult their sales representative for the latest product information before ordering. All products are sold subject to the terms and conditions supplied at the time of order acknowledgement, including those pertaining to warranty, patent infringement, and limitation of liability.

Macroblock's products are not designed to be used as components in device intended to support or sustain life or in military applications. Use of Macroblock's products in components intended for surgical implant into the body, or other applications in which failure of Macroblock's products could create a situation where personal death or injury may occur, is not authorized without the express written approval of the Managing Director of Macroblock.

Macroblock will not be held liable for any damages or claims resulting from the use of its products in medical and military applications.

Related technologies applied to the product are protected by patents. All text, images, logos and information contained on this document is the intellectual property of Macroblock. Unauthorized reproduction, duplication, extraction, use or disclosure of the above mentioned intellectual property will be deemed as infringement.