

EA1019 Series

AC/DC Wall Mount Adapter 15 ~ 24 W Max.

- 100-240VAC Universal Input
- LPS Compliance
- Protections:
Short circuit / Over voltage / Over current
- Energy Efficiency Level VI or CiC Tier II
- No Load Power Consumption $\leq 0.1W$ (VI),
 $\leq 0.075W$ (Tier II)
- MTBF > 100,000 hours



EA1019 X Y Z T - vv PP

X: Output Range

Y: Case Type: V (Vertical) or (H) Horizontal

Z: AC plug type: • U: USA • E: EU • K: UK • A: ASS • C: China

T: Output type: S (SR)

vv: Specified output voltage, i.e. 12 is 12Vdc

PP: DC plug type, i.e. Code 01 for 5.5x2.1mm or other options (refe to the appendix page)

Electrical Specifications

MODEL No.	Max. Output Power [W]	Output Voltage [Vo]	Min. Load [Io]	Max. Load [Io]	Load Regulation	Line Regulation	Ripple & Noise
EA1019A	15W	5~8V	0A	3.0A	$\pm 5\%$	$\pm 1\%$	100mV
EA1019B	20W	9~13V	0A	2.033A	$\pm 5\%$	$\pm 1\%$	180mV
EA1019C	20W	14~19V	0A	1.42A	$\pm 5\%$	$\pm 1\%$	200mV
EA1019D	20W	20~27V	0A	1.0A	$\pm 5\%$	$\pm 1\%$	250mV
EA1019E	20W	28~35V	0A	0.71A	$\pm 5\%$	$\pm 1\%$	280mV
EA1019F	20W	36~48V	0A	1.55A	$\pm 5\%$	$\pm 1\%$	360mV
EA1019G	18W	5~8V	0A	3.0A	$\pm 5\%$	$\pm 1\%$	100mV
EA1019H	24W	9~13V	0A	2.0A	$\pm 5\%$	$\pm 1\%$	180mV
EA1019J	24W	14~19V	0A	1.71A	$\pm 5\%$	$\pm 1\%$	200mV
EA1019K	24W	20~27V	0A	1.2A	$\pm 5\%$	$\pm 1\%$	250mV
EA1019M	24W	28~35V	0A	0.85A	$\pm 5\%$	$\pm 1\%$	280mV
EA1019N	24W	36~48V	0A	0.66A	$\pm 5\%$	$\pm 1\%$	360mV

NOTE:

1 : Ripple & Noise is measured by using 20MHz bandwidth limited oscilloscope and terminated each output with a 0.1 uF ceramic capacitor & parallel with 47uF aluminum capacitor at full load and nominal line.

2 : Une regulation is defined by changing $\pm 10\%$ of input voltage from nominal line at rated load.

3 : Max. Power (W) $\geq V_o \times I_o$

EA1019 Series

Electrical Specifications

Input

- Input Range 100 to 240 VAC
- Frequency 50 to 60Hz
- Input Current $\geq 0.8A$
- Inrush Current 40A/100VAC 80A/230VAC
- Hold Up Time $\geq 8.3mS$
- Turn On Time $\leq 3s$

Output

- Short Circuit Protection Auto Recovery
- Over Voltage Protection Auto Recovery
- Over Current Protection Auto Recovery

Environment

- Operating Temperature 0 to 40°C
- Storage Temperature -20 to +85°C
- Operating Humidity 10% to 90%
- Storage Humidity 5% to 95%

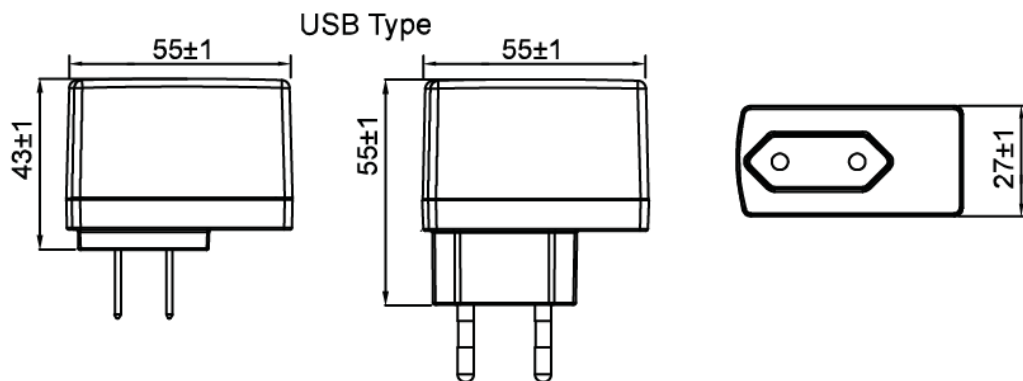
Mechanical Specifications

- Case Size: Vertikal: 60.5L x 39W x 34H (mm)
Horizontal: 66.5L x 36W x 45.5H (mm)
UK: 54L x 50W x 36H (mm)
- AC Plug: U: USA, E: EU, K: UK, A: SAA, C: China
- Weight: 120g

Safety

- Certified for whole series: UL/cUL 62368-1, TUV EN 62368-1, CB IEC 62368-1, FCC, CE
- Certified for assigned models: CCC, BSMI, PSE, RCM, NRCAN

Horizontal (USB & SR Types)



Vertical (USB & SR Types)

