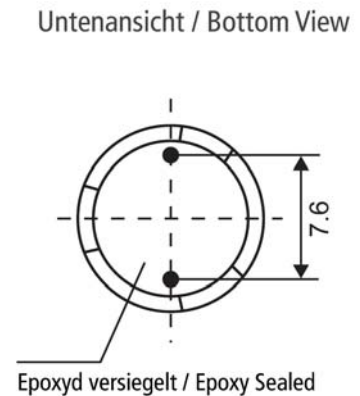
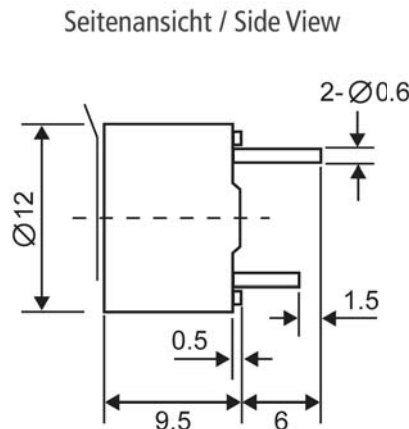
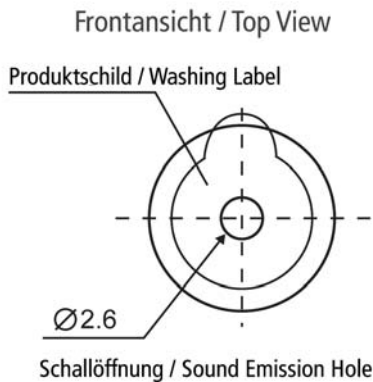


NMB-1212A

Magnetic Buzzer

Abmessungen / Dimensions



Abmessungen in mm / all dimensions are in mm

Technische Daten

Model Nr.		NMB-1212A
Betriebsspannung	[V _{oc}]	8 ~ 15
Nennspannung	[V _{oc}]	12
* Max. Stromstärke	[mA]	30
* Min. Lautstärke	[dBA / 10cm]	85
* Frequenz	[Hz]	2300 +/- 300
Tonart		Single
Betriebstemperatur	[°C]	-20 ~ +70
Terminal		Pin
Material		Noryl
Farbe		Schwarz
Gewicht	[g]	2

* bei Nennspannung

Electrical Specifications

Model No.		NMB-1212A
Operating Voltage	[V _{oc}]	8 ~ 15
Rated Voltage	[V _{oc}]	12
* Max. Rated Current	[mA]	30
* Min. Sound Output	[dBA / 10cm]	85
* Frequency	[Hz]	2300 +/- 300
Tone Nature		Single
Operating Temperature	[°C]	-20 ~ +70
Terminal		Pin
Housing Material		Noryl
Colour		Black
Weight	[g]	2

*Value applying at rated voltage