

Magnetic Buzzer

Anwendungsgebiete

Schnurlostelefone, Computer und Modem, Haushaltsgeräte, elektr. Spielzeug, Handy, Pager und andere Kommunikationsgeräte

Merkmale

- Kompakt, rich sound
- Material: PPS
- Geringe Größe, schwindungsarm

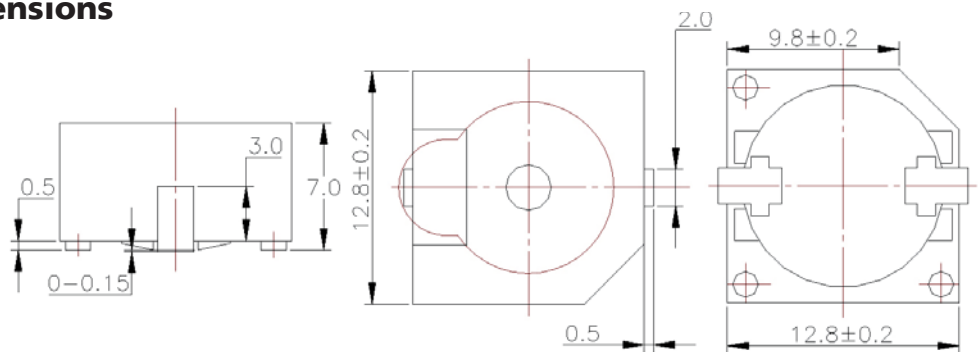
Applications

Cordless phone, Computer and Modem, Household Appliances, Electronic toy, Mobile phone, Pager and other communication equipment.

Features

- Compact, rich sound
- Housing material: PPS
- Small size with low profile

Abmessungen / Dimensions



Abmessungen in mm / all dimensions are in mm

Technische Daten

Model Nr.		NMB-130712S
Betriebsspannung	[VDC]	8 ~ 15
Nennspannung	[VDC]	12
*Max. Stromstärke	[mA]	30
*Min. Lautstärke	[dBA / 10cm]	85
* Frequenz	[Hz]	2400 +/- 400
Betriebstemperatur	[°C]	-20 ~ +70
Lagertemperatur	[°C]	-30 ~ +80
Gewicht	[g]	2

*bei Nennspannung

Electrical Specifications

Model No.		NMB-130712S
Operating Voltage	[VDC]	8 ~ 15
Rated Voltage	[VDC]	12
*Max. Rated Current	[mA]	30
*Min. Sound Output	[dBA / 10cm]	85
* Frequency	[Hz]	2400 +/- 400
Operating Temperature	[°C]	-20 ~ +70
Storage Temperature	[°C]	-30 ~ +80
Weight	[g]	2

*Value applying at rated voltage

Frequenzbereich / Frequency Response

