

NMT-1305S

Magnetic Transducer

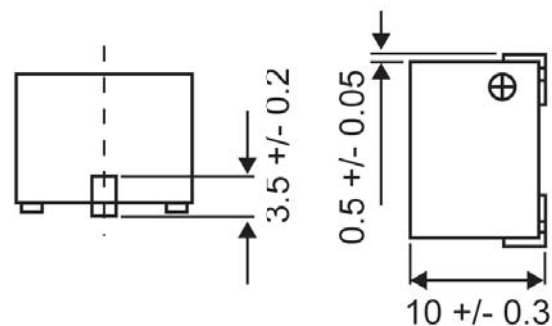
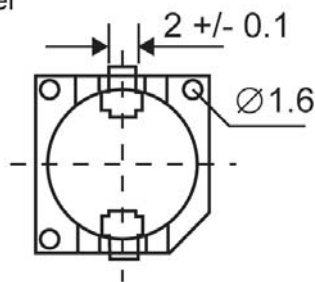
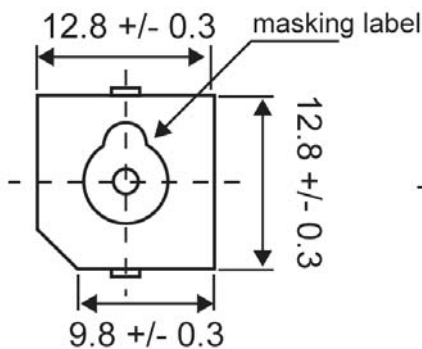
Abmessungen / Dimensions



Frontansicht / Top View

Untenansicht / Bottom View

Seitenansichten / Side View



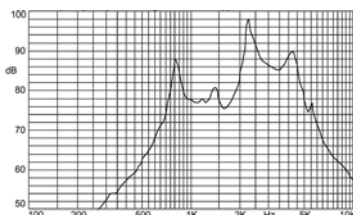
Abmessungen in mm / all dimensions are in mm

Technische Daten

Model Nr.		NMT-1305S
Betriebsspannung	[V]	4 ~ 8
Nennspannung	[V]	5
* Max. Stromstärke	[mA]	40
Spulenwiderstand	[ohm]	47 +/- 5
# Spulenimpedance	[ohm]	80
* Min. Lautstärke	[dBA / 10cm]	90
Resonanzfrequenz	[Hz]	2400
Betriebstemperatur	[°C]	-40 ~ +85
Terminal		SMD
Material		PPS
Farbe		Grau
Gewicht	[g]	2

bei [Resonanzfrequenz, Sinusspannung, Messstrom 60uA]
 * bei Nennspannung [Resonanzfrequenz, 1/2 duty, Rechteckspannung]
 und empfohlener Beschaltung [HFE >200, min. 2.5 mA]

Frequenzkurve, Magn dB re 20.000ppa



Electrical Specifications

Model No.		NMT-1305S
Operating Voltage	[V]	4 ~ 8
Rated Voltage	[V]	5
* Max. Rated Current	[mA]	40
Coil Resistance	[ohm]	47 +/- 5
# Coil Impedance	[ohm]	80
* Min.Sound Output	[dBA / 10 cm]	90
Resonant Frequency	[Hz]	2400
Operating Temperature	[°C]	-40 ~ +85
Terminal		SMD
Housing Material		PPS
Colour		Grey
Weight	[g]	2

Value applying [resonant frequency, sine wave, measuring current 60uA]
 * Value applying rated voltage [resonant frequency, 1/2 duty, square wave]
 and recommended circuit [HFE >200, min. 2.5 mA]

Frequency Response, Magn dB re 20.000ppa

