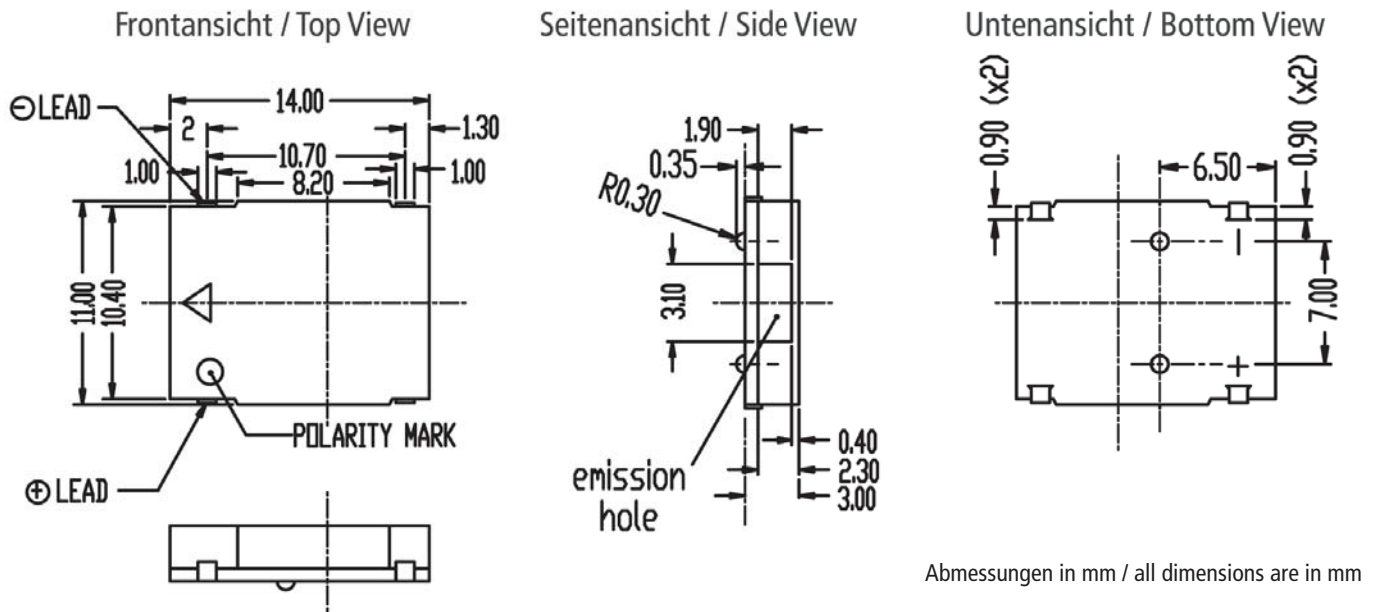


# Magnetic Transducer

## Abmessungen / Dimensions



### Technische Daten

Model Nr.		NMT-1401SE
Betriebsspannung	[V]	1 ~ 2
Nennspannung	[V]	1.5
* Max. Stromstärke	[mA]	80
Spulenwiderstand	[ohm]	6 +/- 1
* Min. Lautstärke	[dBA / 10cm]	85
Resonanzfrequenz	[Hz]	2700
Betriebstemperatur	[°C]	-30 ~ +85
Terminal		SMD
Material		LCP
Farbe		Schwarz
Gewicht	[g]	1

\* bei Nennspannung [Resonanzfrequenz, 1/2 duty, Rechteckspannung] und empfohlener Beschaltung [HFE >200, min. 2.5 mA]

### Electrical Specifications

Model No.		NMT-1401SE
Operating Voltage	[V]	1 ~ 2
Rated Voltage	[V]	1.5
* Max. Rated Current	[mA]	80
Coil Resistance	[ohm]	6 +/- 1
* Min.Sound Output	[dBA / 10 cm]	85
Resonant Frequency	[Hz]	2700
Operating Temperature	[°C]	-30 ~ +85
Terminal		SMD
Housing Material		LCP
Colour		Black
Weight	[g]	1

\* Value applying rated voltage [resonant frequency, 1/2 duty, square wave] and recommended circuit [HFE >200, min. 2.5 mA]