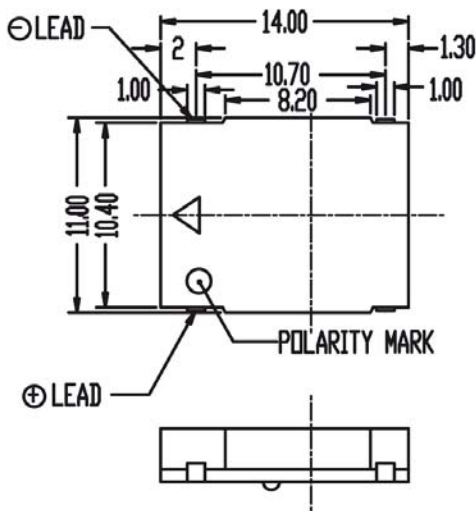


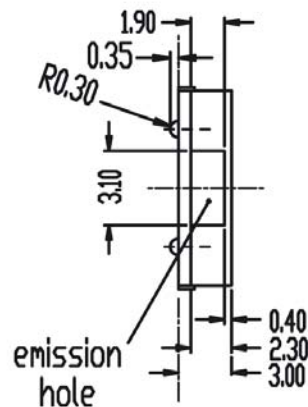
Magnetic Transducer

Abmessungen / Dimensions

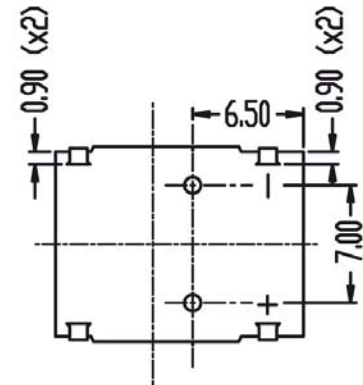
Draufsicht / Top View



Seitenansicht / Side View



Untenansicht / Bottomview



Abmessungen in mm / all dimensions are in mm

Technische Daten

Model Nr.		NMT-1403S
Betriebsspannung	[VDC]	2 ~ 4
Nennspannung	[VDC]	3.6
*Max. Stromstärke	[mA]	80
Spulenwiderstand	[ohm]	15 +/- 3
*Min. Lautstärke	[dBA / 10cm]	87
* Frequenz	[Hz]	3200
Betriebstemperatur	[°C]	-30 ~ +85
Terminal		SMD
Material		LCP
Farbe		Schwarz
Gewicht	[g]	1

*bei Nennspannung [Resonanzfrequenz, 1/2 duty, Rechteckspannung] und empfohlener Beschaltung [HFE >200, min. 2.5 mA]

Electrical Specifications

Model No.		NMT-1403S
Operating Voltage	[VDC]	2 ~ 4
Rated Voltage	[VDC]	3.6
*Max. Rated Current	[mA]	80
Coil Resistance	[ohm]	15 +/- 3
*Min. Sound Output	[dBA/10cm]	87
* Frequency	[Hz]	3200
Operating Temperature	[°C]	-30 ~ +85
Terminal		SMD
Housing Material		LCP
Color		Black
Weight	[g]	1

*Value applying at rated voltage [resonant frequency, 1/2 duty, square wave] and recommended circuit [HFE >200, min.2.5mA]

#Value applying [resonant frequency, sine wave, measuring current 60uA]