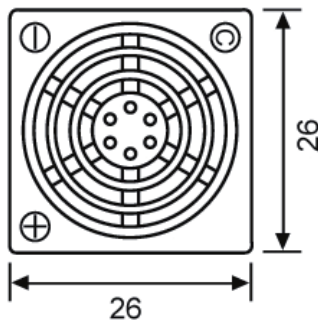


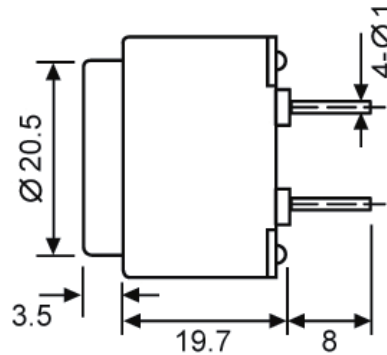
# Mechanical Buzzer

## Abmessungen / Dimensions

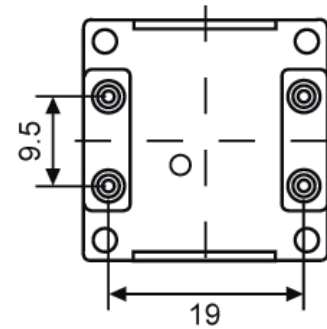
Draufsicht / Top view



Seitenansicht / Side View



Untenansicht / Bottom View



Abmessungen in mm / all dimensions are in mm

### Technische Daten

Model Nr.		NNB-2624
Betriebsspannung	[VDC]	20 ~ 28
Nennspannung	[VDC]	24
*Max. Stromstärke	[mA]	50
Spulenwiderstand	[ohm]	400 +/- 100
*Min. Lautstärke	[dBA / 10cm ]	95
Tonart		Single
Betriebstemperatur	[°C]	-20 ~ +60
Terminal		Pin
Material		ABS
Farbe		Elfenbein
Gewicht	[g]	17

\*bei Nennspannung

### Electrical Specifications

Model No.		NNB-2624
Operating Voltage	[VDC]	20 ~ 28
Rated Voltage	[VDC]	24
*Max. Rated Current	[mA]	50
Coil Resistance	[ohm]	400 +/- 100
*Min. Sound Output	[dBA / 10cm ]	95
Tone Nature		Single
Operating Temperature	[°C]	-20 ~ +60
Terminal		Pin
Housing Material		ABS
Housing Color		Ivory
Weight	[g]	17

\*Value applying at rated voltage