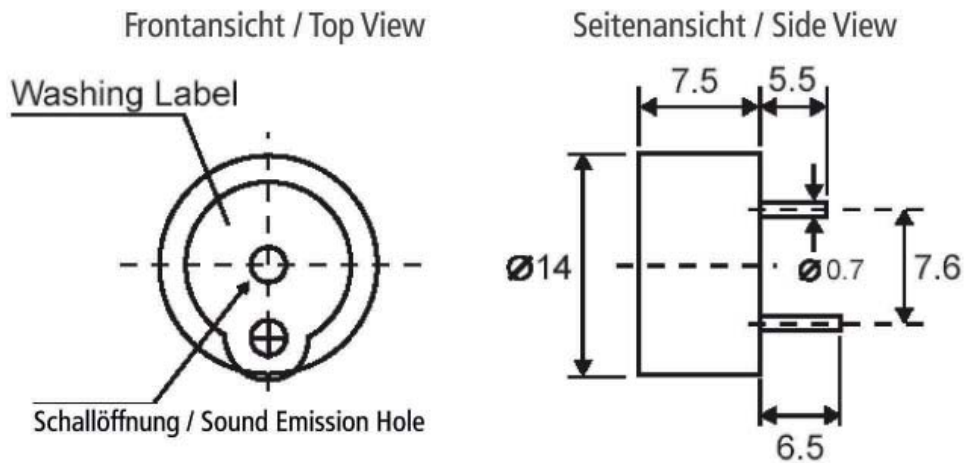


Piezo Buzzer

Abmessungen / Dimensions



Abmessungen in mm / all dimensions are in mm

Technische Daten

Model Nr.		NPB-1424
Betriebsspannung	[V _{DC}]	3 ~ 30
Nennspannung	[V _{DC}]	24
* Max. Stromstärke	[mA]	20
* Min. Lautstärke	[dBA / 10cm]	85
Frequenz	[Hz]	4500 +/- 500
Tonart		Single
Betriebstemperatur	[°C]	-20 ~ +70
Terminal		Pin
Material		PBT
Farbe		Schwarz
Gewicht	[g]	2

* bei Nennspannung

Electrical Specifications

Model No.		NPB-1424
Operating Voltage	[V _{DC}]	3 ~ 30
Rated Voltage	[V _{DC}]	24
* Max. Rated Current	[mA]	20
* Min.Sound Output	[dBA / 10 cm]	85
* Frequency	[Hz]	4500 +/- 500
Tone Nature		Single
Operating Temperature	[°C]	-20 ~ +70
Terminal		Pin
Housing Material		PBT
Colour		Black
Weight	[g]	2

*Value applying at rated voltage