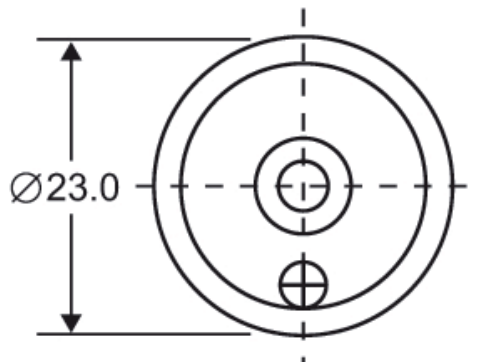


Piezo Buzzer

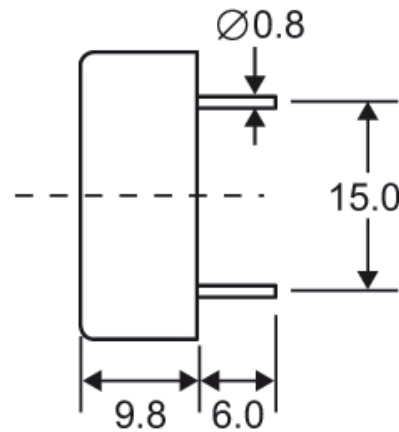
Abmessungen / Dimensions



Draufsicht / Top view



Seitenansicht / Side View



Abmessungen in mm / all dimensions are in mm

Technische Daten

Model Nr.		NPB-2312
Betriebsspannung	[VDC]	1.5 ~ 28
Nennspannung	[VDC]	12
*Max. Stromstärke	[mA]	10
*Min. Lautstärke	[dBA/30cm]	85
Spulenwiderstand	[ohm]	3500 +/- 500
Tonart		Single
Betriebstemperatur	[°C]	-20 ~ +70
Terminal		Pin
Material		PBT
Farbe		Schwarz
Gewicht	[g]	4

*bei Nennspannung

Electrical Specifications

Model No.		NPB-2312
Operating Voltage	[VDC]	1.5 ~ 28
Rated Voltage	[VDC]	12
*Max. Rated Current	[mA]	10
*Min. Sound Output	[dBA/30cm]	85
Coil Resistance	[ohm]	3500 +/- 500
Tone Nature		Single
Operating Temperature	[°C]	-20 ~ +70
Terminal		Pin
Housing Material		PBT
Housing Color		Black
Weight	[g]	4

*Value applying at rated voltage