

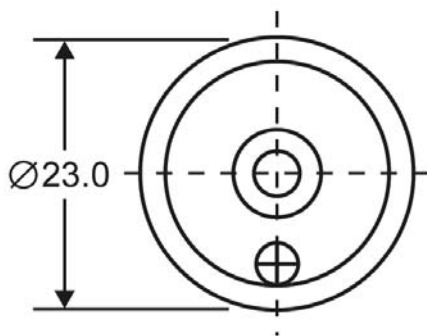
**NPB-2324**

# Piezo Buzzer

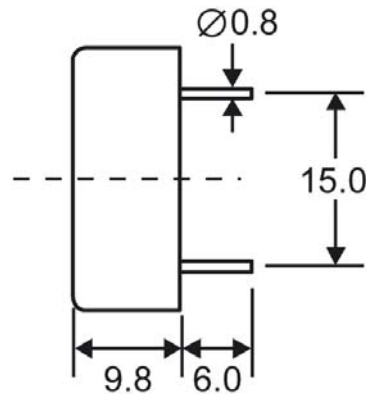


## Abmessungen / Dimensions

Frontansicht / Top View



Seitenansicht / Side View



Abmessungen in mm / all dimensions are in mm

## Technische Daten

Model Nr.		NPB-2324
Betriebsspannung	[V <sub>DC</sub> ]	12 ~ 36
Nennspannung	[V <sub>DC</sub> ]	24
* Max. Stromstärke	[mA]	10
* Min. Lautstärke	[dBA / 10cm]	85
Frequenz	[Hz]	3500 +/- 500
Tonart		Single
Betriebstemperatur	[°C]	-20 ~ +70
Terminal		Pin
Material		PBT
Farbe		Schwarz
Gewicht	[g]	4

\* bei Nennspannung

## Electrical Specifications

Model No.		NPB-2324
Operating Voltage	[V <sub>DC</sub> ]	12 ~ 36
Rated Voltage	[V <sub>DC</sub> ]	24
* Max. Rated Current	[mA]	10
* Min.Sound Output	[dBA / 10 cm]	85
* Frequency	[Hz]	3500 +/- 500
Tone Nature		Single
Operating Temperature	[°C]	-20 ~ +70
Terminal		Pin
Housing Material		PBT
Colour		Black
Weight	[g]	4

\*Value applying at rated voltage