

# NPB-321440W

## PIEZO BUZZER

### APPLICATIONS:

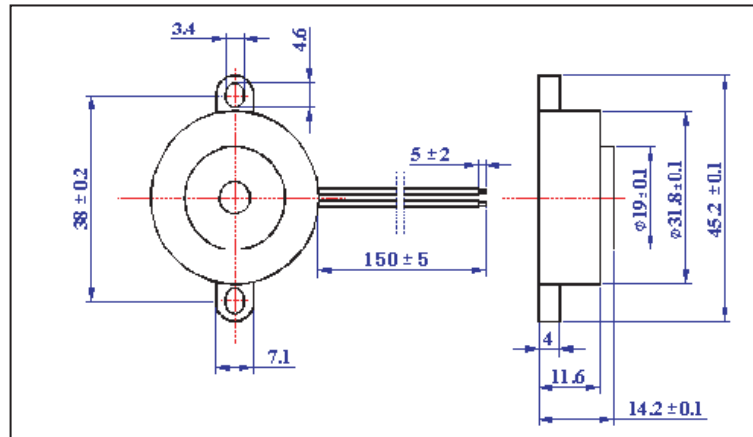
- \* as a sounder used in home electric appliances, communication equipments, office equipments and other alarm systems.

### FEATURES:

- \* clear sound
- \* DC supply
- \* low current consumption



### DIMENSIONS:



### SPECIFICATIONS:

TYPE	NPB-321440W
Operating Voltage (Vp-p)	2.5 ~27.0
Rated Voltage (Vp-p)	12
Current at Rated Voltage (mA)	max. 15
Resonant Frequency (Hz)	4000 +/-500
Sound Pressure at Rated Voltage (dB/10cm)	min. 90
Operating Temperature (°C)	-20 ~ +60
Storage Temperature (°C)	-30 ~ +70

### V-SPL, V-CURRENT CHARACTERISTICS:

