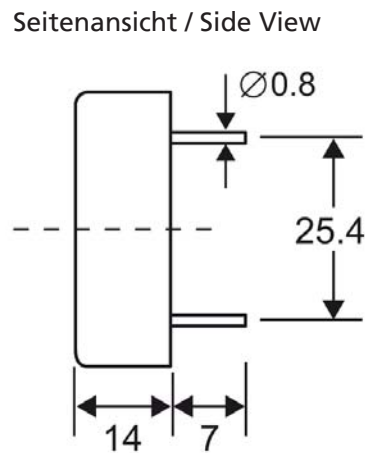
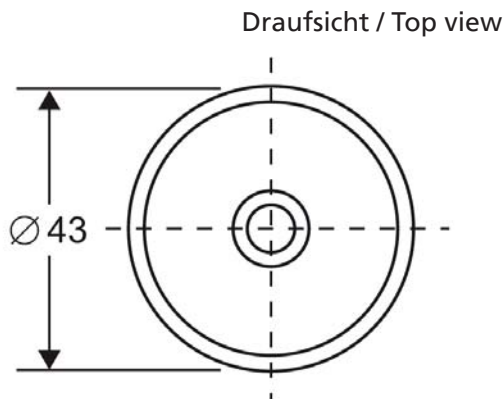


Piezo Buzzer

Abmessungen / Dimensions



Abmessungen in mm / all dimensions are in mm

Technische Daten

Model Nr.		NPB-4312
Betriebsspannung	[VDC]	3 ~ 20
Nennspannung	[VDC]	12
*Max. Stromstärke	[mA]	10
*Min. Lautstärke	[dBA/30cm]	100
Spulenwiderstand	[ohm]	2900 +/- 500
Tonart		Single
Betriebstemperatur	[°C]	-20 ~ +60
Terminal		Pin
Material		ABS
Farbe		Schwarz
Gewicht	[g]	11

*bei Nennspannung

Electrical Specifications

Model No.		NPB-4312
Operating Voltage	[VDC]	3 ~ 20
Rated Voltage	[VDC]	12
*Max. Rated Current	[mA]	10
*Min. Sound Output	[dBA/30cm]	100
Coil Resistance	[ohm]	2900 +/- 500
Tone Nature		Single
Operating Temperature	[°C]	-20 ~ +60
Terminal		Pin
Housing Material		ABS
Housing Color		Black
Weight	[g]	11

*Value applying at rated voltage