

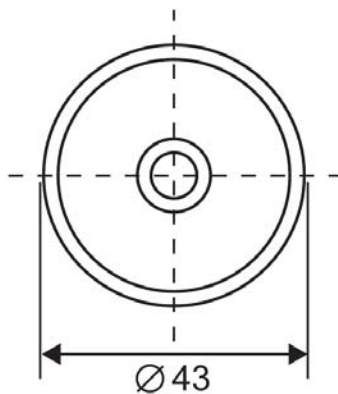
NPB-4324

Piezo Buzzer

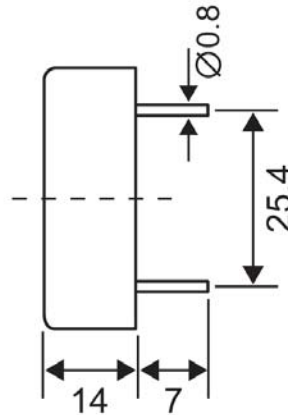
Abmessungen / Dimensions



Frontansicht / Top View



Seitenansicht / Side View



Abmessungen in mm / all dimensions are in mm

Technische Daten

Model Nr.		NPB-4324
Betriebsspannung	[V _{DC}]	12 ~ 30
Nennspannung	[V _{DC}]	24
* Max. Stromstärke	[mA]	10
* Min. Lautstärke	[dBA / 10cm]	100
Frequenz	[Hz]	2900 +/- 500
Tonart		Single
Betriebstemperatur	[°C]	-20 ~ +60
Terminal		Pin
Material		ABS
Farbe		Schwarz
Gewicht	[g]	11

* bei Nennspannung

Electrical Specifications

Model No.		NPB-4324
Operating Voltage	[V _{DC}]	12 ~ 30
Rated Voltage	[V _{DC}]	24
* Max. Rated Current	[mA]	10
* Min.Sound Output	[dBA / 10 cm]	100
* Frequency	[Hz]	2900 +/- 500
Tone Nature		Single
Operating Temperature	[°C]	-20 ~ +60
Terminal		Pin
Housing Material		ABS
Colour		Black
Weight	[g]	11

*Value applying at rated voltage