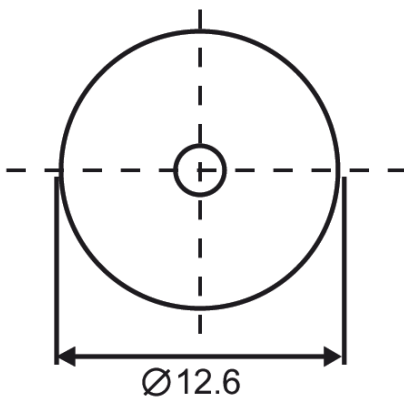


External Drive Piezo Transducer

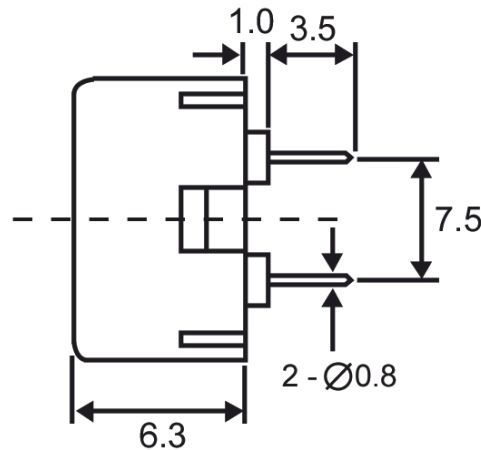
Abmessungen / Dimensions



Frontansicht / Top View



Seitenansicht / Side View



Abmessungen in mm / all dimensions are in mm

Technische Daten

Model Nr.	NPT-1305
Schalldruckpegel	80dBA min. [5V p-p Rechteckschwingung, 10cm, 4000Hz]
Kapazität	14000 pF +/- 30% at 120Hz
Max. Eingangsspannung	30V p-p
Betriebstemperatur	[°C] -20 ~ +60
Terminal	Pin
Material	ABS-777D
Farbe	Schwarz
Gewicht	[g] 1

Electrical Specifications

Model No.	NPT-1305
Sound Pressure Level	80dBA min. [5V p-p Square Wave, 10cm, 4000Hz]
Capacitance	14000 pF +/- 30% at 120Hz
Max. Input Voltage	30V p-p
Operating Temperature	[°C] -20 ~ +60
Terminal	Pin
Housing Material	ABS-777D
Housing Colour	Black
Weight	[g] 1