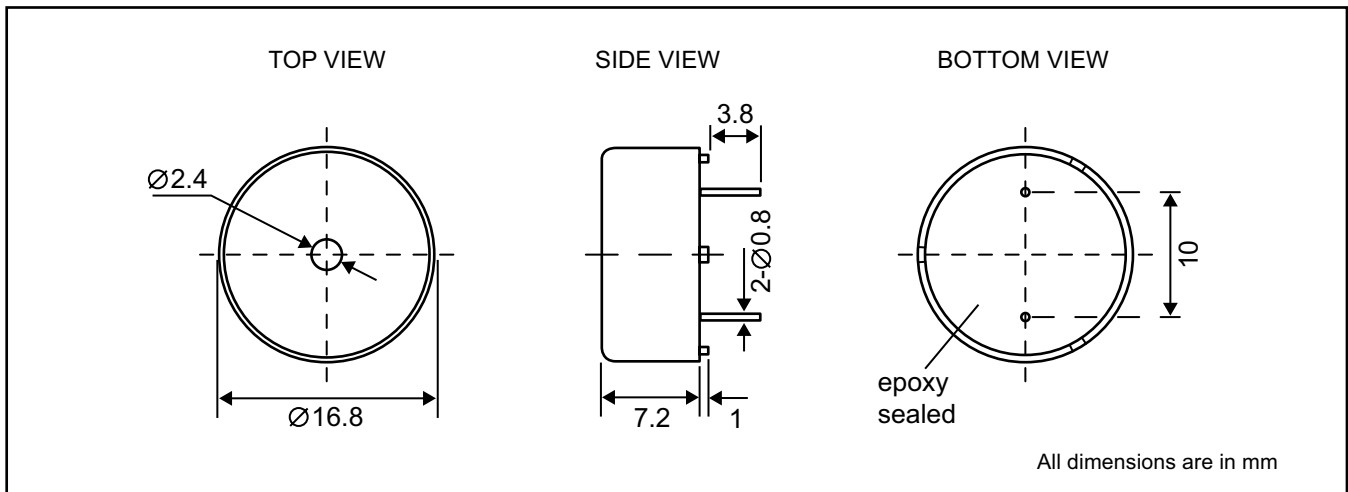


### DIMENSIONS



Remark : RoHS Compliance

### ELECTRICAL SPECIFICATIONS

Model No.	NPT-1703
Sound Pressure Level	85 dBA min. [12 Vp-p Sine Wave, 10cm, 4000Hz]
Capacitance	15000 pF +/- 30% at 120Hz
Max. Input Voltage	30 Vp-p
Operating Temperature [ °C]	-20 ~ +60
Terminal	PIN
Housing Material	ABS
Housing Colour	Black
Weight [gm]	3