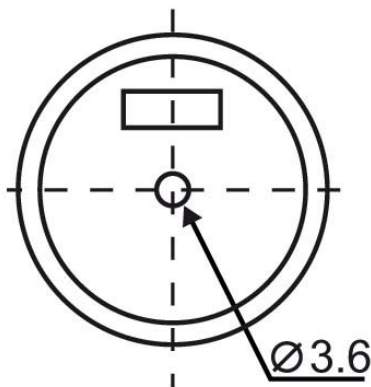


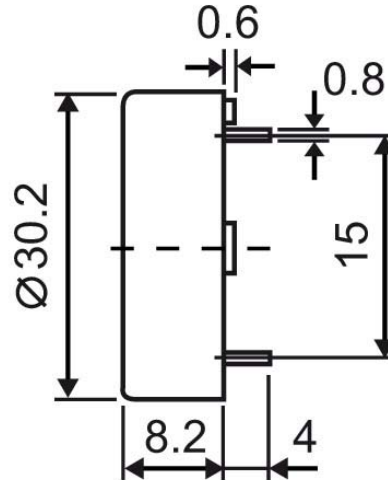
# External Drive Piezo Transducer

## Abmessungen / Dimensions

Draufsicht / Top View



Seitenansicht / Side View



Abmessungen in mm / all dimensions are in mm

## Technische Daten

Model No.		NPT-3009
Schalldruckpegel	[dBA]	80 dBA min. [9 Vp-p Square Wave, 10cm, 3000Hz]
Kapazität	[pF]	35000 pF +/- 30% at 1kHz
Max. Eingangsspannung	[V p-p]	40V p-p
Betriebstemperatur	[°C]	-20 ~ +70
Terminal		Pin
Material		PBT
Farbe		Schwarz
Gewicht	[g]	5.5

## Electrical Specifications

Model No.		NPT-3009
Sound Pressure Level	[dBA]	80 dBA min. [9 Vp-p Square Wave, 10cm, 3000Hz]
Capacitance	[pF]	35000 pF +/- 30% at 1kHz
Max. Input Voltage	[V p-p]	40V p-p
Operating Temperature	[°C]	-20 ~ +70
Terminal		Pin
Housing Material		PBT
Housing Colour		Black
Weight [gm]		5.5