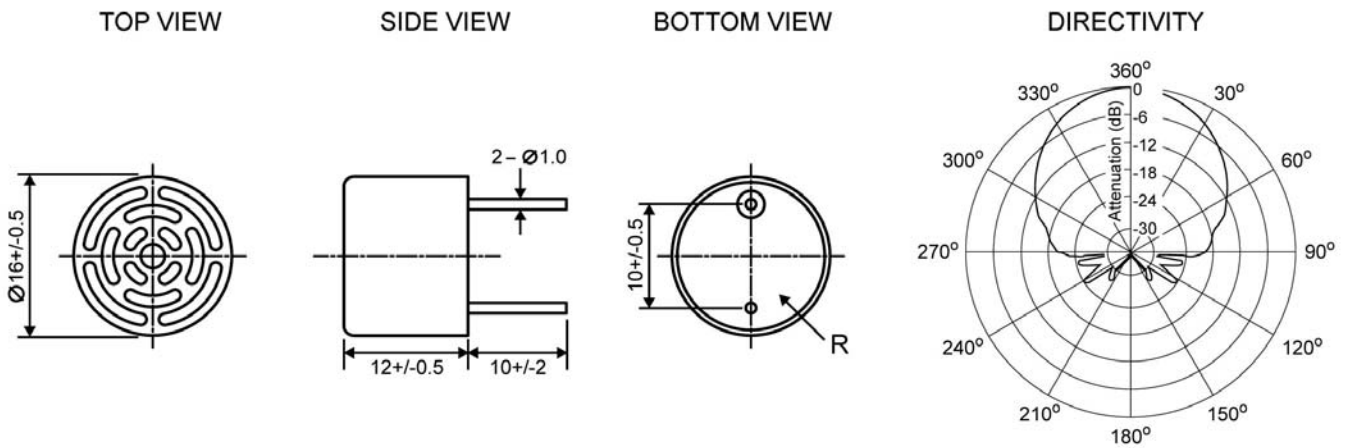


ULTRASONIC SENSOR

Abmessungen / Dimensions



Abmessungen in mm / all dimensions are in mm

Technische Daten

| | | |
|-----------------------|-------------------|---------------------------|
| Model No. | | NUR-16A12APB |
| Konstruktion | | Open Structure |
| Funktion | | Empfänger |
| Center Frequency | [Hz] | 40K +/- 1K |
| Bandwidth | | 2.5KHz |
| Sound Pressure Level | [at 10Vrms, 30cm] | --- |
| Sensitivity | [at 40KHz] | Min. -65 dB (0dB=1V/ubar) |
| Beam Angle | [-6dB] | 55° typisch |
| Capacitance | [at 1KHz/1V] | 2000 pF +/- 20% |
| Max. Eingangsspannung | [Vrms] | --- |
| Terminal | | Pin |
| Material | | ABS |
| Farbe | | Schwarz |
| Betriebstemperatur | [°C] | -20 ~ +70 |
| Weight | [g] | 5 |

Electrical Specifications

| | | |
|-----------------------|-------------------|---------------------------|
| Model No. | | NUR-16A12APB |
| Construction | | Open Structure |
| Function | | Receiver |
| Center Frequency | [Hz] | 40K +/- 1K |
| Bandwidth | | 2.5KHz |
| Sound Pressure Level | [at 10Vrms, 30cm] | --- |
| Sensitivity | [at 40KHz] | Min. -65 dB (0dB=1V/ubar) |
| Beam Angle | [-6dB] | 55° typical |
| Capacitance | [at 1KHz/1V] | 2000 pF +/- 20% |
| Max. Input Voltage | [Vrms] | --- |
| Terminal | | Pin |
| Housing Material | | ABS |
| Colour | | Black |
| Operating Temperature | [°C] | -20 ~ +70 |
| Weight | [g] | 5 |