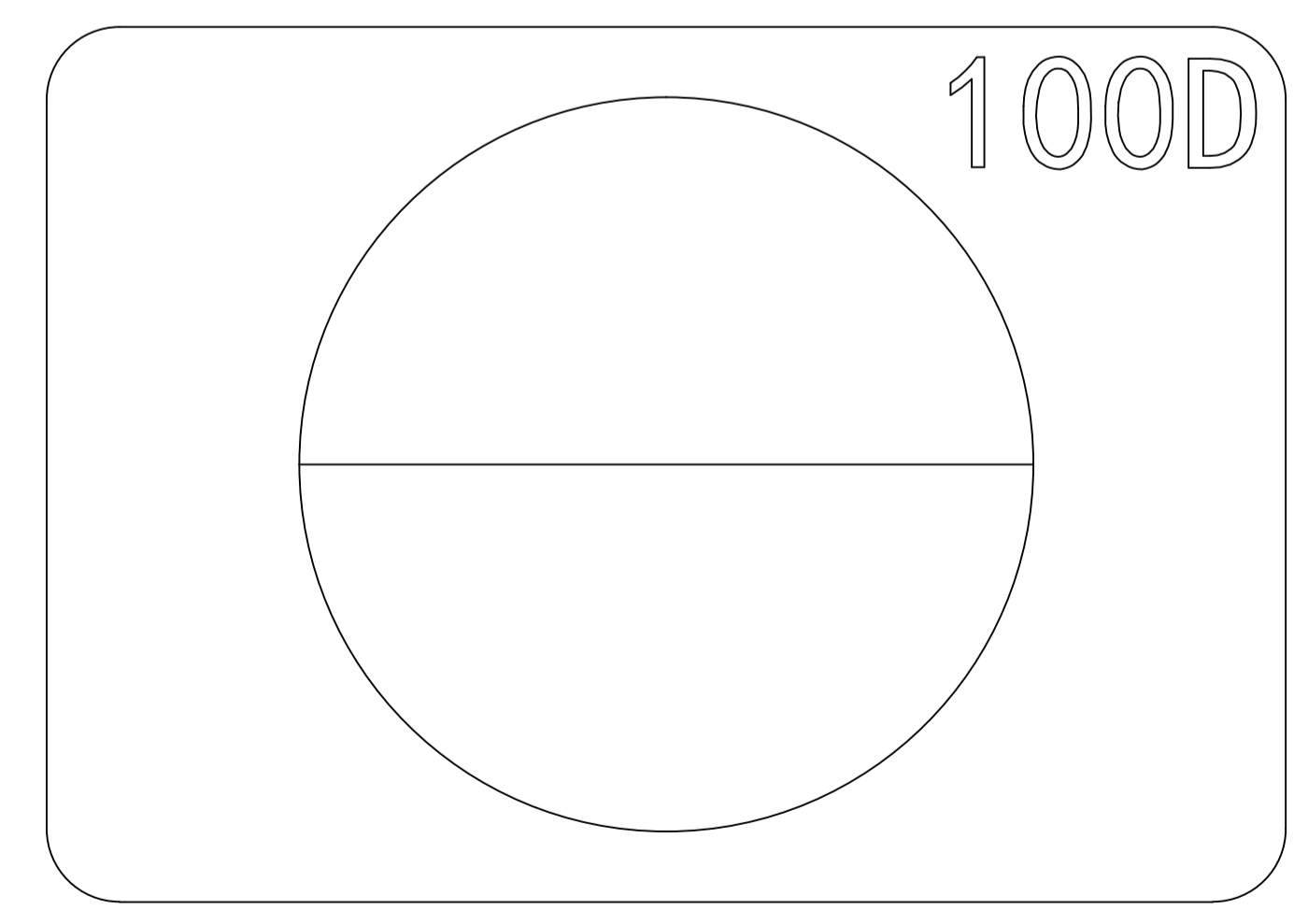
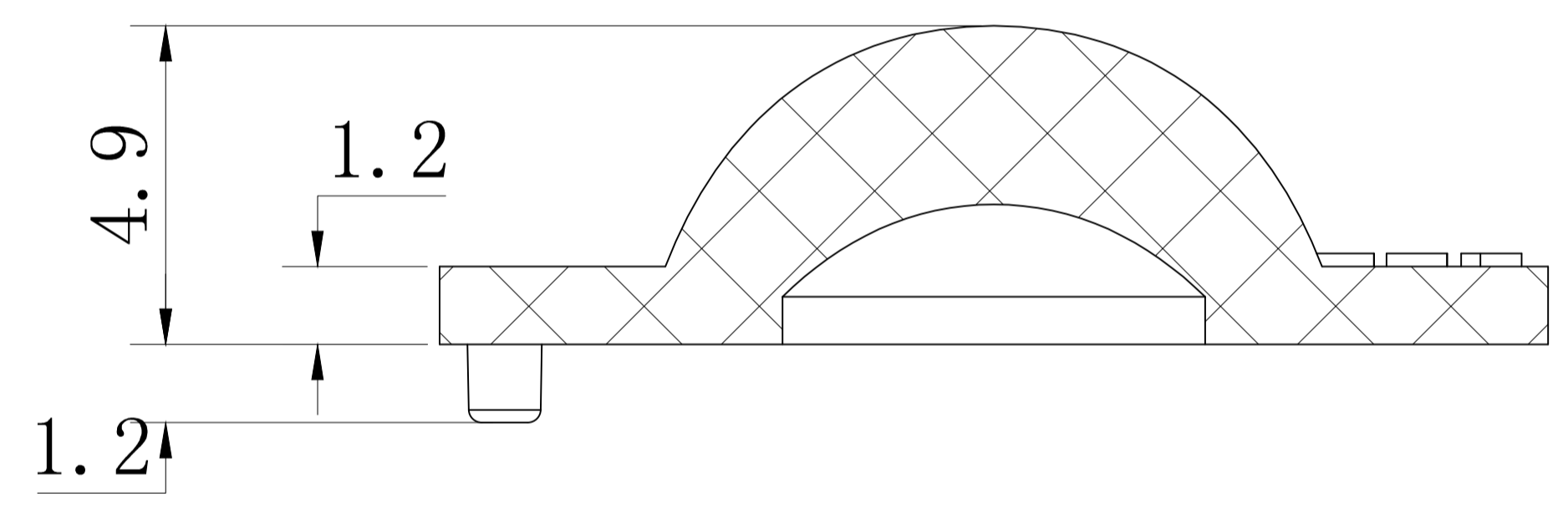
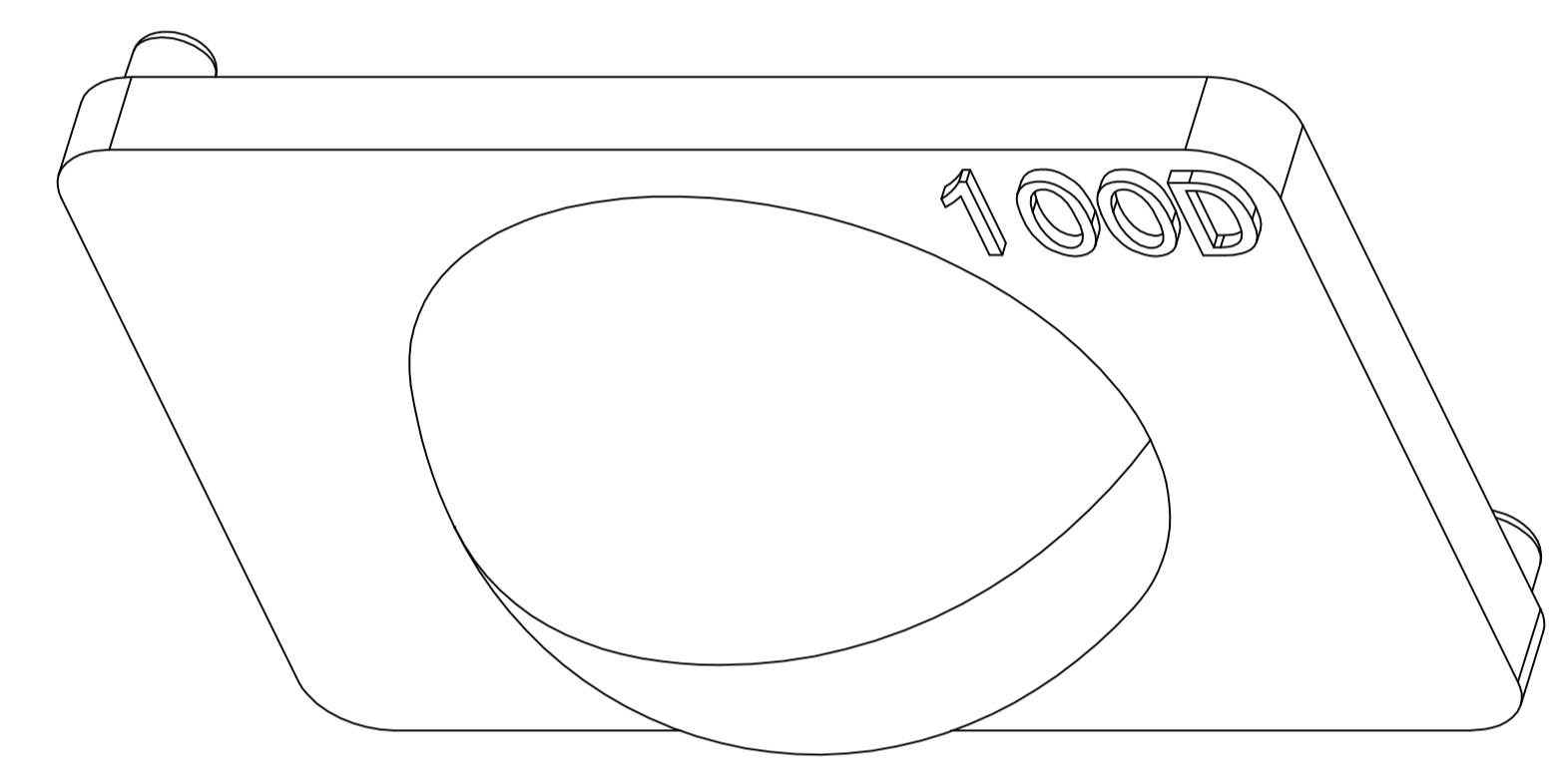
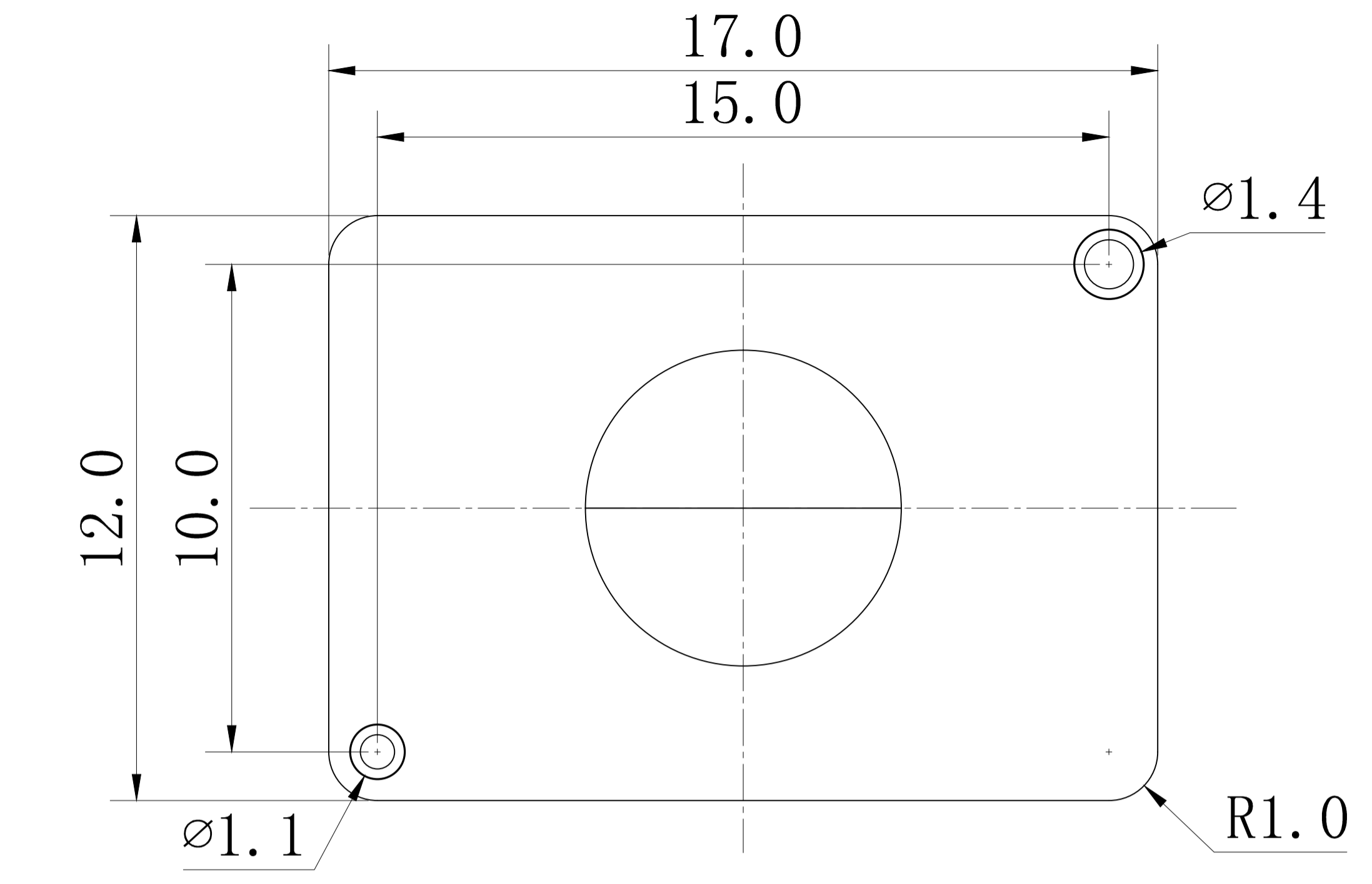


CRN	ISSUE	REVISIONS	CHK	APPD	DATE	NO.



GENERAL TOLERANCE		PROJECT NAME				Seoul Semiconductor			
01~20	±0.1	PART NAME 3 100D							
20~	±0.2								
DSN	SIGN	DATE	NO.	MATERIAL	PC	UNIT	mm	VERSION	A
DRW	Jason Zheng	03/Feb/2016							
CHK				SCALE	10:1	SURFACE		WEIGHT	
APPD				First View Projection		PAGE 1	TOTAL 1	SHEET	A3