

LED Power Supply

Constant Voltage LED Driver | Input 180 – 264V AC | Output 24V DC

High Cost Effective,SELV. Open circuit, short circuit,overload protection.
Compliance to ERP directive,lifetime 30,000hrs



items	conditions	request	note
-------	------------	---------	------

Input

Input voltage	Ta	180-264Vac	--
Input Frequency		50Hz/60Hz	--
Input Current	25°C, rated input voltage, output with max. rated power	<0.25A	--
Input Power		<37W	--
Efficiency		≥85%	--
Standby	25°C, rated input voltage, output without load	<0.5W	Average
Inrush Current	25°C, rated input voltage	<60A	peak
PF	25°C, rated input voltage, output max. rated power	≥0.9	--

Output

Startup time	25°C, rated input voltage,output with max. rated power	<0.5S	--
Output voltage and precision	Ta , rated input voltage, output with rated power	24V±5%	--
Output current range	Ta , rated input voltage	0-1.25A	30W
Output voltage wave	25°C, rated input voltage,output with max. rated power	<240mV	Vp-p
Output overload	25°C, rated input voltage,output with 2 times LED load	yes	--
Output current and precision	Ta , rated input voltage, output with rated power	--	--
Rated output voltage range	Ta , rated input voltage,	-	--
Output current wave	25°C, rated input voltage,output with max. rated power	--	Ip-p
Dimming mode	--	--	--
Dimming range	--	--	--

Protection

open circuit	Ta,input rated voltage, output without load	--	--
overload	Ta ,0.94-1.06 times of input voltage, 1.2 times of rated power	yes	--
Short circuit	Ta ,input 0.94-1.06 times input voltage,	yes	--
Over temperature	IC detect temperature	--	--
Over voltage	Ta ,0.94-1.06 times of input voltage,output voltage is 1.5 times of rated one	--	--
Auto recovery	Over load, short circuit revocation	yes	--
Latch off	Over voltage, over heat re-start after cut off	--	--

Temperature and others

Operating temperature	--	-20° C ~ 45° C	--
Relative humidity	--	45%~ 85%	--
max. Case temp.	--	80° C	--
products life span	under max Ta,input rated voltage and output max rated load		30,000hr
working noise	25°C, rated input voltage,output with rated power, mute box background noise<35dB, pickup 10cm distance from products		yes

Mechanical, mounting

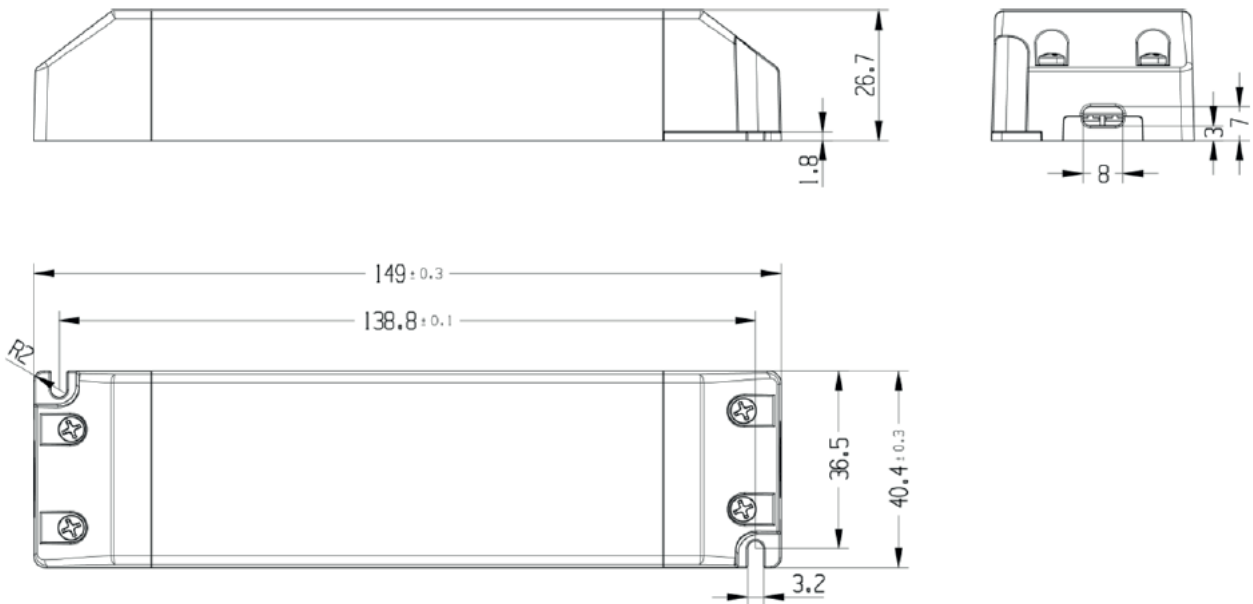
Case material and size	Plastic case
Mounting ways	independent
Insulation type	Class II
IP grade	IP20
Input cables dimension	H03VVH2-F 2*0.75mm ²
Output cables dimension	H03VVH2-F 2*0.75mm ²
Output cables length	--

Standard

Safety	IEC61347-1 IEC61347-2-13
Harmonic	EN61000-3-2 Class C
EMC	EN55015
EMC	EN61000-4-2, -3, -4, -5, -6, EN61547

SE30-24VL

Dimensions



Wiring Diagram

