

# LED POWER SUPPLY DATASHEET

IP44 slim LED drivers, specially for bathroom lighting. SELV.  
 short circuit, overload and over temperature protection.  
 Compliance to ERP directive, lifetime 30,000hrs.



items	conditions	request	note
-------	------------	---------	------

### Input

Input Voltage	Ta	200-240Vac	--
Input frequency		50/60Hz	--
Input current	25°C ,rated input voltage, output with max. rated power	<0.22A	--
Input power		<115W	--
Efficiency		≥90%	--
Standby	25°C ,rated input voltage, output without load	<0.21W	average
Inrush current	25°C ,rated input voltage	<75A	peak
PF	25°C ,rated input voltage, output max. rated power	≥0.9	--

### Output

Startup time	25°C , rated input voltage,output with max. rated power	<0.5s	--
Output voltage and precision	Ta, rated input voltage, output with rated power	12V±5%	--
Output current range	Ta ,rated input voltage	0-8.33A	--
Output voltage wave	25°C , rated input voltage,output with max. rated power	180mV	Vp-p
Output overload	25°C ,rated input voltage,output with 2 times LED load	yes	--
Output current and precision	Ta , rated input voltage, output with rated power	--	--
Rated output	Ta , rated input voltage	--	--
Output current wave	25°C , rated input voltage,output with max. rated power	--	Ip-p
Dimming mode	--	--	.
Dimming range	--	--	--

### Protection

Open circuit	Ta, rated input voltage, no load	--	--
Over load	Ta ,0.94-1.06 times of input voltage, 1.2 times of rated power	yes	--
Short circuit	Ta ,0.94-1.06 times of input voltage	yes	--
Over temperature	Ta ,0.94-1.06 times of input voltage, temperature detected pointed more than 115 degree	yes	
Over voltage	Ta ,0.94-1.06 times of input voltage,output voltage is 1.5 times of rated one	yes	--
Auto recovery	Over load, short circuit revocation	yes	--
Latch off	Over voltage, over heat re-start after cut off	yes	--

**SNP100-24VFP**
**Temperature and others**

Operation temperature	--	-20-45°C	
Relative humidity	--	45%-85%	
Max. case temp.	--	90°C	
Lifetime	Max.Ta,rated input voltage,output with max.rated power		30,000hr --
Working noise	25°C ,rated input voltage,output with rated power ,mute box background noise<35dB,pickup 10cm distance from products		yes --

**Mechanical, mounting**

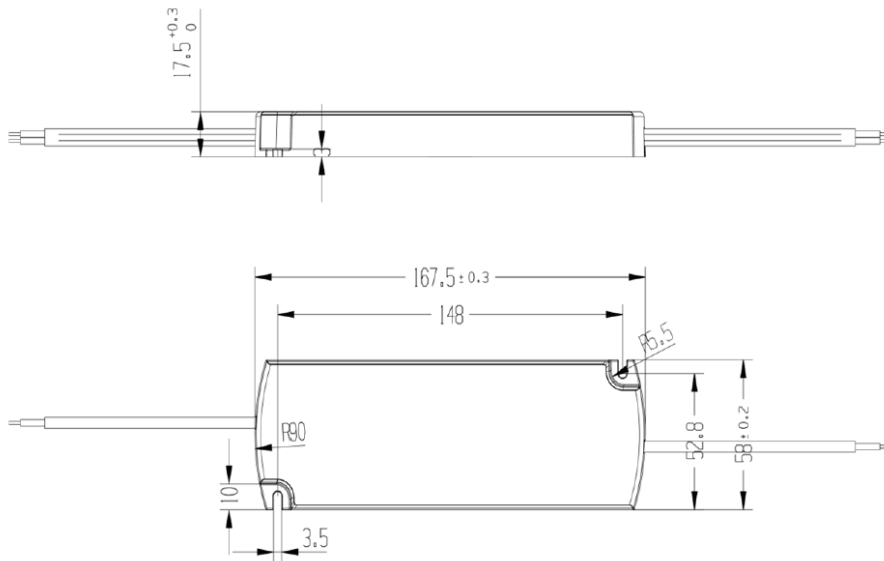
Case material and sizes	Plastic
Mounting ways	Independent
Insulation type	Class II
IP grade	IP44
Input cable dimension	H05VVH2-F 2*1.0MM <sup>2</sup>
Output cable dimension	H05VVH2-F 2*1.0MM <sup>2</sup>
Output cables length	15cm

**Standard**

Safety	IEC61347-1, IEC61347-2-13
Harmonic	EN61000-3-2 Class C
EMI	EN55015
EMS	EN61000-4-2, 3, 4, 5, 6 EN61547

## SNP100-24VFP

### Dimensions



### Wiring Diagram

