

LED Power Supply

Constant Voltage LED Driver | Input 220 – 240V AC | Output 12V DC

High cost effective, Super slim LED drivers, helpful for furniture and cabinet lighting. SELV. Open circuit, short circuit, overload and auto recovery. Class II, lifetime 30,000hrs



| items | conditions | request | note |
|-------|------------|---------|------|
|-------|------------|---------|------|

Input

| items | conditions | request | note |
|-----------------|---|------------|-----------|
| Input voltage | Ta | AC220-240V | -- |
| Input Frequency | | 50Hz/60Hz | -- |
| Input Current | 25°C, rated input voltage, output with max. rated power | <0.35A | -- |
| Input Power | | <69W | -- |
| Efficiency | | ≥87% | -- |
| Standby | 25°C rated input voltage, output without load | <0.5W | Average |
| Inrush Current | 25°C, rated input voltage | <30A | 230V/50Hz |
| THD | 25°C, rated input voltage, output max. rated power | <10% | 230V/50Hz |
| PF | 25°C, rated input voltage, output max. rated power | ≥0.97 | 230V/50Hz |

Output

| | | | |
|------------------------------|---|--------|------|
| Startup time | 25°C, rated input voltage, output with max. rated power | <0.5S | 230V |
| Output voltage and precision | Ta, rated input voltage, output with rated power | 12V±5% | -- |
| Output current range | Ta, rated input voltage | 0-5.0A | |
| Output voltage wave | 25°C, rated input voltage, output with max. rated power | <3% | Vp-p |
| Output overload | 25°C, rated input voltage, output with 2 times LED load | yes | -- |
| Output current and precision | Ta, rated input voltage, output with rated power | -- | -- |
| Rated output voltage range | Ta, rated input voltage, | - | -- |
| Output current wave | 25°C, rated input voltage, output with max. rated power | -- | Ip-p |
| Dimming mode | -- | -- | -- |
| Dimming range | -- | -- | -- |

Protection

| | | | |
|------------------|---|-----|----|
| open circuit | Ta,input rated voltage, output without load | yes | -- |
| overload | Ta ,0.94-1.06 times of input voltage, 1.2 times of rated power | yes | -- |
| Short circuit | Ta ,input 0.94-1.06 times input voltage, | yes | -- |
| Over temperature | Ta, 0.94-1.06 times of input voltage, temperature detected point more than 115 degree | yes | -- |
| Over voltage | Ta ,0.94-1.06 times of input voltage,output voltage is 1.5 times of rated one | yes | -- |
| Auto recovery | Over load, short circuit revocation | yes | -- |

Temperature and others

| | | | |
|-----------------------|---|----------------|----|
| Operating temperature | -- | -20° C ~ 45° C | -- |
| Relative humidity | -- | 10%~90% | -- |
| max. Case temp. | -- | 90° C | -- |
| products life span | under max Ta,input rated voltage and output max rated load | 30,000hr | -- |
| MTBF | Max.Ta,rated input voltage,output withmax.rated power | 200,000hr | |
| working noise | 25°C, rated input voltage,output with rated power, mute box background noise<35dB, pickup 10cm distance from products | yes | -- |

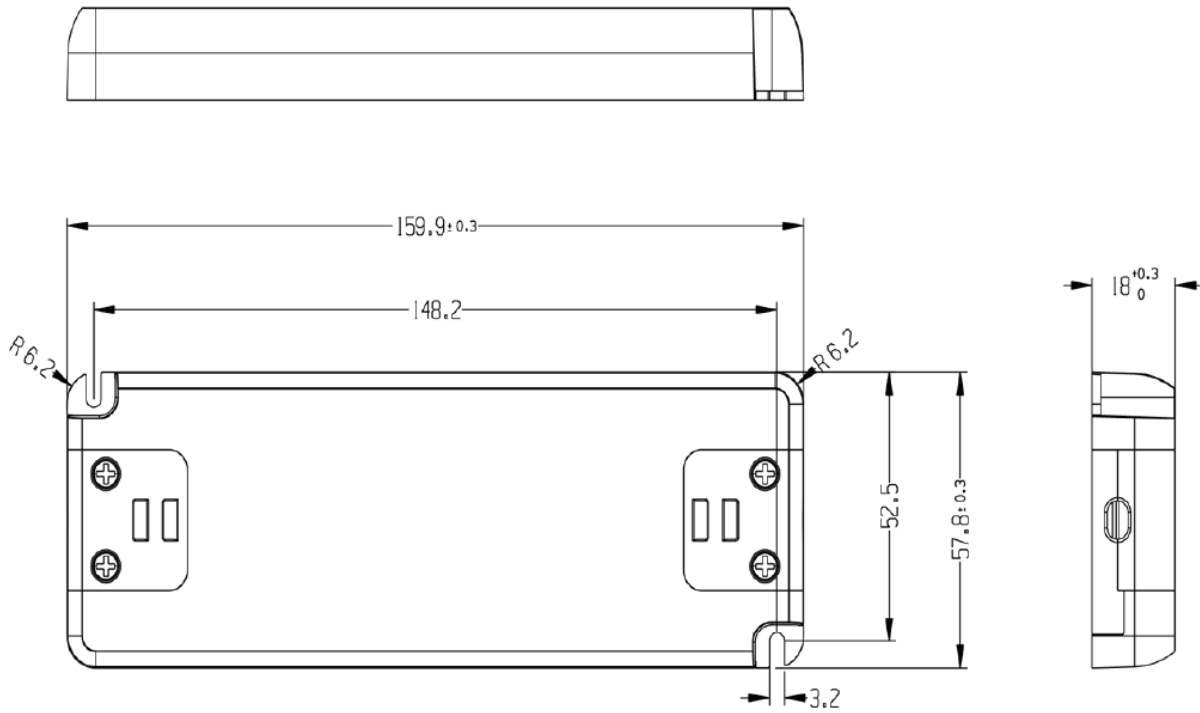
Mechanical, mounting

| | |
|-------------------------|---------------------------------|
| Case material and size | Plastic case |
| Mounting ways | Independent |
| Insulation type | Class II |
| IP grade | IP20 |
| Input cables dimension | H03VVH2-F 2x0.75mm ² |
| Output cables dimension | H03VVH2-F 2x0.75mm ² |
| Output cables length | 2 Meters Max. |

Standard request

| | |
|----------|------------------------------------|
| Safety | IEC61347-1 IEC61347-2-13 |
| Harmonic | EN61000-3-2 Class C |
| EMI | IEC55015 |
| EMS | EN61000-4-2, 3, 4, 5, 6 EN61547 |

Dimensions



Wiring Diagram

