

LED Power Supply

Constant Voltage LED Driver | Input 220 – 240V AC | Output 24V DC

Super slim LED drivers, helpful for furniture, mirror and cabinet lighting.
 SELV.Open circuit, short circuit,overload and auto recovery.Class II,
 lifetime 30,000hrs.



items	conditions	request	note
-------	------------	---------	------

Input

Input voltage	Ta	AC220-240V	--
Input Frequency			50Hz/60Hz
Input Current	25°C, rated input voltage, output with max. rated power	<0.35A	--
Input Power		<70W	--
Efficiency		≥85%	--
Standby	25°C rated input voltage, output without load	<0.5W	Average
Inrush Current	25°C, rated input voltage	<75A	/50Hz
PF	25°C, rated input voltage, output max. rated power	≥0.95	

Output

Startup time	25°C, rated input voltage, output with max. rated power	--	--
Output voltage and precision	Ta , rated input voltage, output with rated power	24V±5%	--
Output current range	Ta , rated input voltage	0-2.5A	
Output voltage wave	25°C, rated input voltage, output with max. rated power	<750mV	Vp-p
Output overload	25°C, rated input voltage, output with 2 times LED load	yes	--
Output current and precision	Ta , rated input voltage, output with rated power	--	--
Rated output voltage range	Ta , rated input voltage,	-	--
Output current wave	25°C, rated input voltage, output with max. rated power	--	Ip-p
Dimming mode	--	--	--
Dimming range	--	--	--

Protection

open circuit	Ta,input rated voltage, output without load	yes	--
overload	Ta ,0.94-1.06 times of input voltage, 1.2 times of rated power	yes	--
Short circuit	Ta ,input 0.94-1.06 times input voltage,	yes	--
Over temperature	Ta, 0.94-1.06 times of input voltage, temperature detected point more than 115 degree	yes	--
Over voltage	Ta ,0.94-1.06 times of input voltage,output voltage is 1.5 times of rated one	yes	--
Auto recovery	Over load, short circuit revocation	yes	--
Latch off	Over heat, over voltage, over load, short circuit re-start after cut off	--	--

Temperature and others

Operating temperature	--	-20° C ~ 45° C	--
Relative humidity	--	15%~90%	--
max. Case temp.	--	85° C	--
products life span	under max Ta,input rated voltage and output max rated load	30,000hr	--
working noise	25°C, rated input voltage,output with rated power, mute box background noise<35dB, pickup 10cm distance from products	yes	--

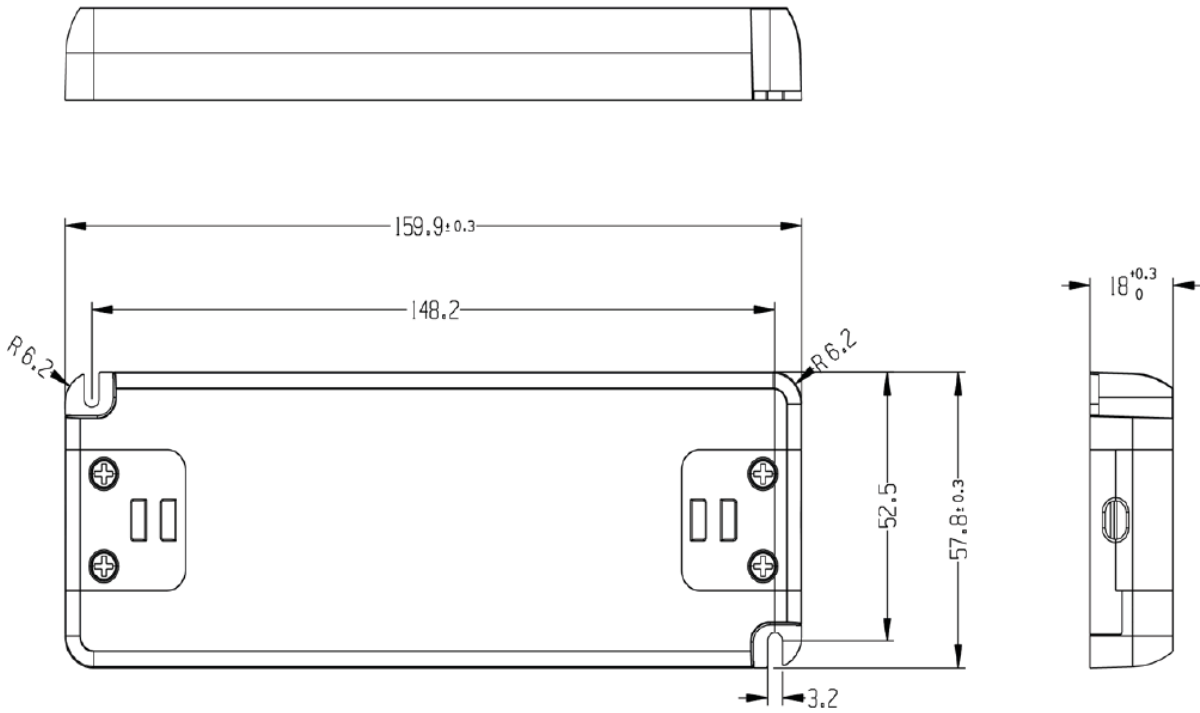
Mechanical, mounting

Case material and size	Plastic case
Mounting ways	Independent
Insulation type	Class II
IP grade	IP20
Input cables dimension	H03VVH2-F 2x0.75mm ²
Output cables dimension	H03VVH2-F 2x0.75mm ²
Output cables length	2 Meters Max.

Standard request

Safety	IEC61347-1, IEC61347-2-13
Harmonic	EN61000-3-2 Class C
EMI	IEC55015
EMS	EN61000-4-2, 3, 4, 5, 6 EN61547

Dimensions



Wiring Diagram

